

NOTES:

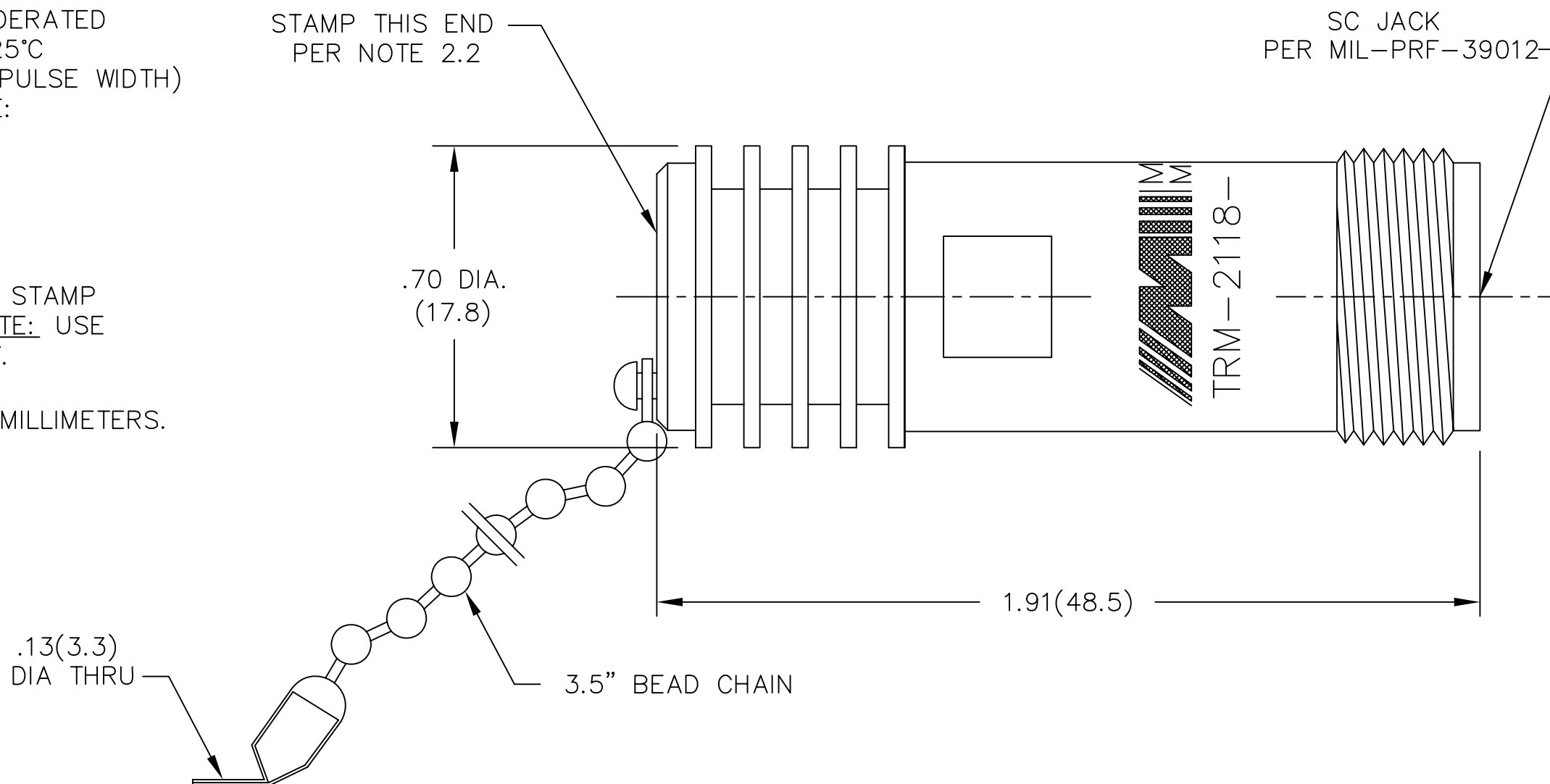
1.0 ELECTRICAL SPECIFICATIONS

- 1.1 FREQUENCY RANGE: DC to 11.0 GHz
- 1.2 VSWR: 1.20:1 MAX.
- 1.3 IMPEDANCE: 50 OHMS
- 1.4 INPUT POWER:
 - 5 WATTS AVERAGE AT +40°C DERATED LINEARLY TO 1.0 WATT AT +125°C
 - 5 KILWATT PEAK (5 μSECOND PULSE WIDTH)
- 1.5 OPERATING TEMPERATURE RANGE:
 - 54°C to +125°C

2.0 MARKING

- 2.1 MARK UNIT AS SHOWN. (REF.: INK-02611-27-40)
- 2.2 STAMP END WITH "CAUTION HOT" STAMP (REF.: INK-04494-27-01) NOTE: USE RED INK FOR THIS STAMP ONLY.

3.0 DIMENSIONS IN PARENTHESIS ARE MILLIMETERS.



DWG NO. WAS: 03151-01-00

REV.	DESCRIPTION	DATE
-	RELEASED	10/10/79
A	ECR 0723	11/8/82
B	ECR 1892	12/13/82
C	ECR 6545	7/6/89
D	ECR 7672	9/25/90
D1	UPDATE DWG. NO.	5/17/91
D2	FINISH CHANGE -02	5/30/91
E	ECN 12730	6/15/93
F	ECN 13716	6/23/94
F1	ADDED TITLEBLOCK	11/3/05

UNLESS OTHERWISE NOTED DIMENSIONS ARE IN INCHES AND TOLERANCES ARE: 3 PLACE DECIMALS ±.005 2 PLACE DECIMALS ±.02 FRACTIONS ±1/64 PARALLELITY: T.I.R. _____ FLATNESS: T.I.R. _____ CONCENTRICITY: T.I.R. _____ ANGLES AND PERPENDICULARITY: ±1°	FSCM NO.	34078 MIDWEST MICROWAVE		
	NOTICE: The information contained in this drawing is proprietary and must not be used without the permission of Midwest Microwave		TITLE	
	DRAWN/DATE A.BEATTY 6/15/93		ENG./DATE G.KOZAK 6/21/93	DRAWING NUMBER
	CHECKED/DATE M.HOLLMAN 6/17/93		APPROVED/DATE	TRM-2118-FC-SCO-07
SCALE: 3=1		SHEET 1 of 1		

MODEL NUMBER
TRM-2118-FC-SCO-07
REV.
F1