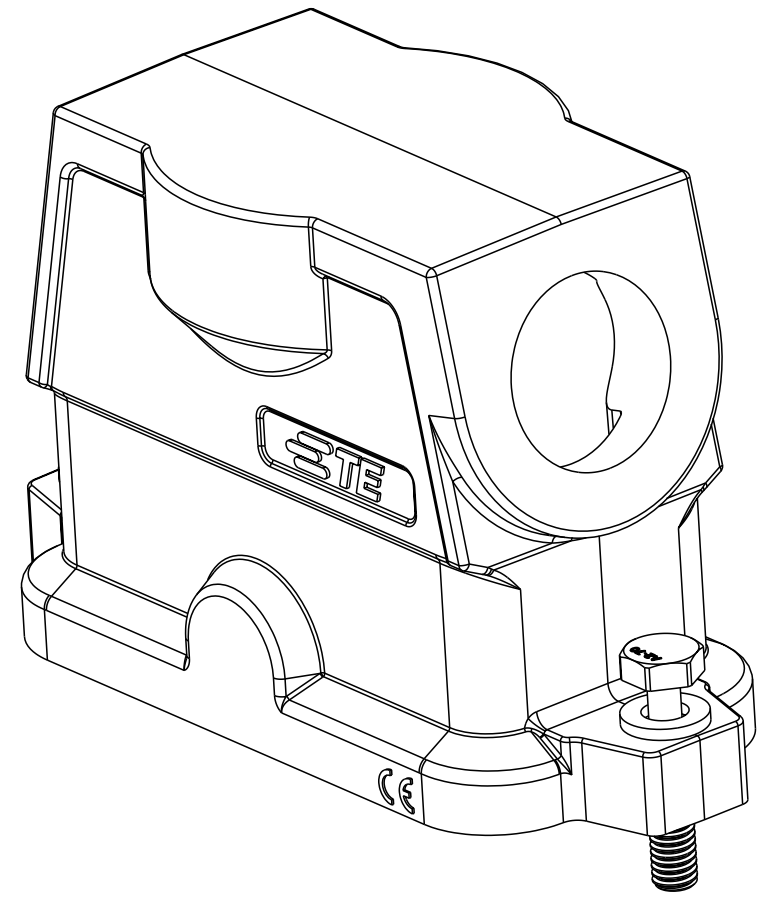
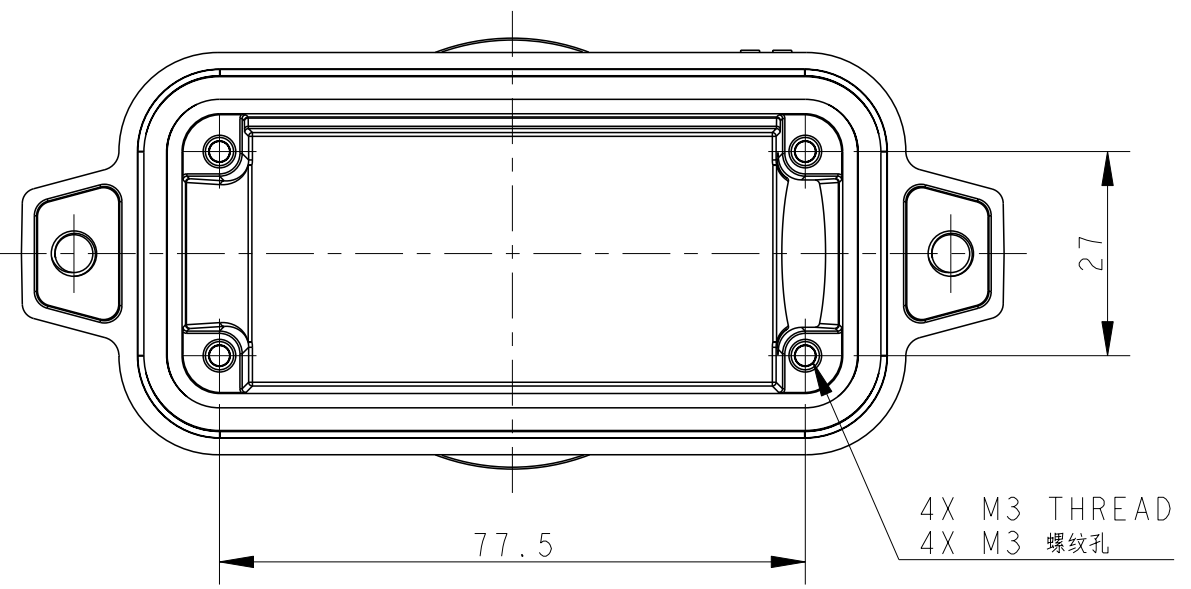
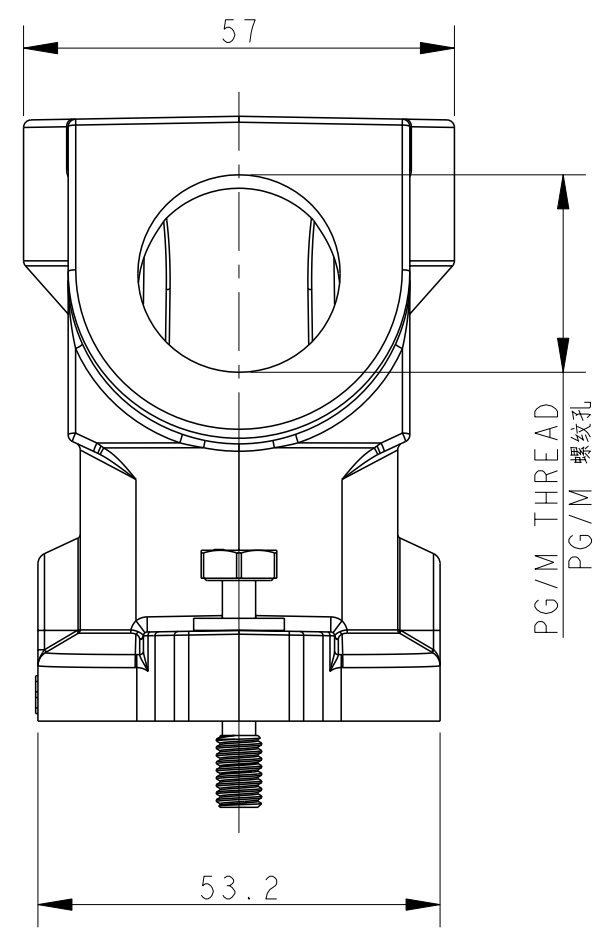
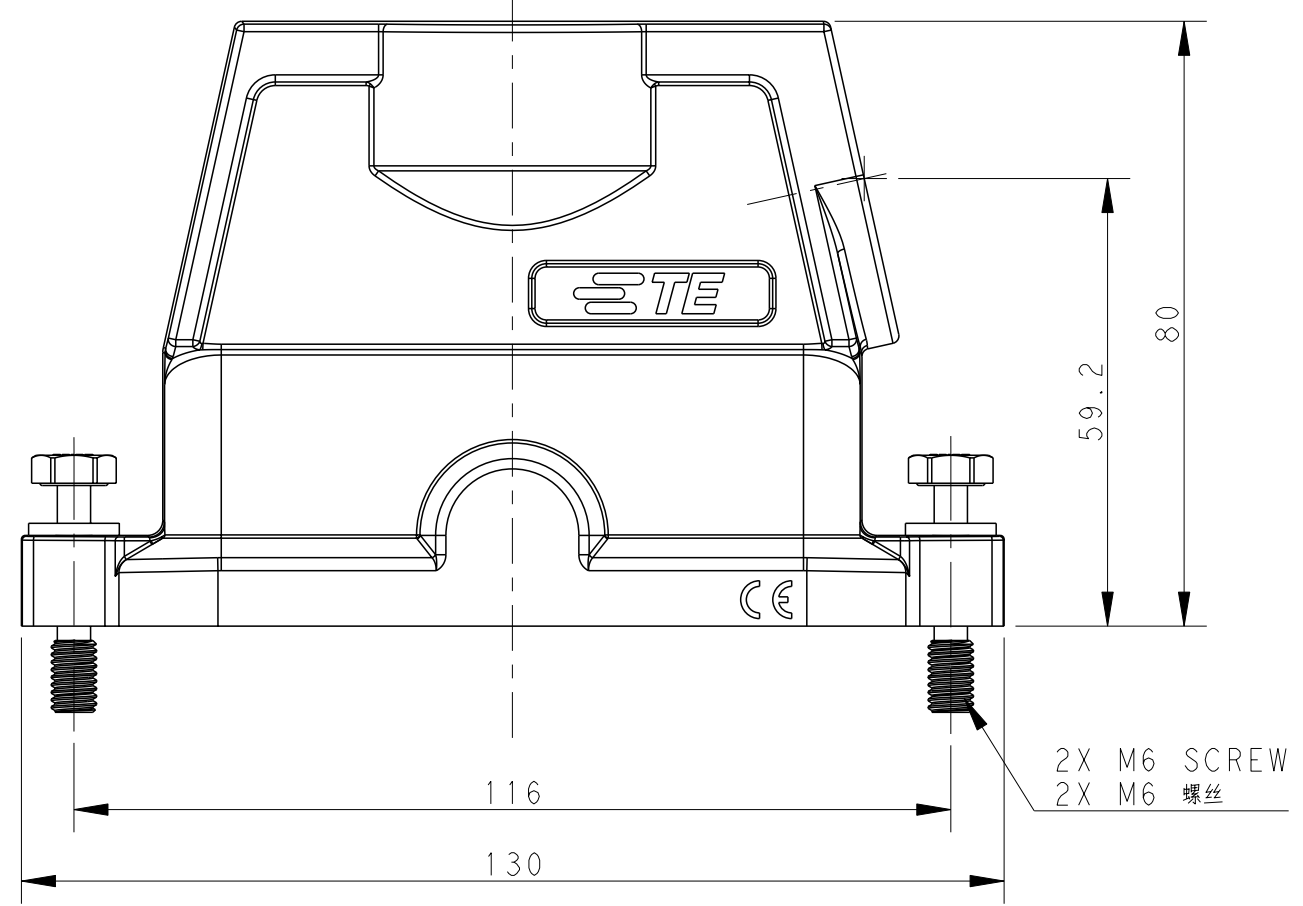


THIS DRAWING IS UNPUBLISHED. RELEASED FOR PUBLICATION 20  
 © COPYRIGHT 20 BY - ALL RIGHTS RESERVED.

REVISIONS				
P	LTR	DESCRIPTION	DATE	APVD
A		INITIAL RELEASE	08OCT2016	DW CW
B		ECR-20-016312	03JUN2021	BS CW



NOTES:  
 1. TECHNICAL CHARACTERISTICS:  
 HOOD MATERIAL: DIE CAST ALUMINIUM ALLOY  
 SURFACE: SEE TABLE  
 DEGREE OF PROTECTION: IP68 (MATED)

注释  
 1. 技术参数:  
 壳体材料: 铝合金  
 表面处理: 见表格  
 防护等级: IP68 (配合)

PART NUMBER 料号	DESCRIPTION 描述	PG/M THREAD PG/M 螺纹
T1912161140-009	H16BPR-TSHC-M40-EMC-C H16BPR HOOD,CENTER LOCKING,SIDE ENTRY M40,POWDER COATED,SILVER WHITE H16BPR中部锁定侧出上壳M40 银白色	M40
T1912161132-009	H16BPR-TSHC-M32-EMC-C H16BPR HOOD,CENTER LOCKING,SIDE ENTRY M32,POWDER COATED,SILVER WHITE H16BPR中部锁定侧出上壳M32 银白色	M32
T1912161129-009	H16BPR-TSHC-PG29-EMC-C H16BPR HOOD,CENTER LOCKING,SIDE ENTRY PG29,POWDER COATED,SILVER WHITE H16BPR中部锁定侧出上壳PG29 银白色	PG29
T1912161125-009	H16BPR-TSHC-M25-EMC-C H16BPR HOOD,CENTER LOCKING,SIDE ENTRY M25,POWDER COATED,SILVER WHITE H16BPR中部锁定侧出上壳M25 银白色	M25
T1912161121-009	H16BPR-TSHC-PG21-EMC-C H16BPR HOOD,CENTER LOCKING,SIDE ENTRY PG21,POWDER COATED,SILVER WHITE H16BPR中部锁定侧出上壳PG21 银白色	PG21
T1912160140-009	H16BPR-TSHC-M40-EMC-C H16BPR HOOD,CENTER LOCKING,SIDE ENTRY M40,POWDER COATED,BLACK H16BPR中部锁定侧出上壳M40 黑色	M40
T1912160132-009	H16BPR-TSHC-M32-EMC-C H16BPR HOOD,CENTER LOCKING,SIDE ENTRY M32,POWDER COATED,BLACK H16BPR中部锁定侧出上壳M32 黑色	M32
T1912160129-009	H16BPR-TSHC-PG29-EMC-C H16BPR HOOD,CENTER LOCKING,SIDE ENTRY PG29,POWDER COATED,BLACK H16BPR中部锁定侧出上壳PG29 黑色	PG29
T1912160125-009	H16BPR-TSHC-M25-EMC-C H16BPR HOOD,CENTER LOCKING,SIDE ENTRY M25,POWDER COATED,BLACK H16BPR中部锁定侧出上壳M25 黑色	M25
T1912160121-009	H16BPR-TSHC-PG21-EMC-C H16BPR HOOD,CENTER LOCKING,SIDE ENTRY PG21,POWDER COATED,BLACK H16BPR中部锁定侧出上壳PG21 黑色	PG21

THIS DRAWING IS A CONTROLLED DOCUMENT.		DWN DAVID WANG 08OCT2016	TE Connectivity	
		CHK CHRIS WANG 08OCT2016		
		APVD XIANG XU 08OCT2016	NAME H16BPR-TSHC-PG/M-EMC-C	
DIMENSIONS: mm		PRODUCT SPEC 108-137191	SIZE A2	
TOLERANCES UNLESS OTHERWISE SPECIFIED:		APPLICATION SPEC 114-137191	CAGE CODE -	
0 PLC ±		WEIGHT -	DRAWING NO C-T191216XXXXX09	
1 PLC ±		RESTRICTED TO -		
2 PLC ±		SCALE 1:1		
3 PLC ±		SHEET 1 OF 1		
4 PLC ±		REV B		
ANGLES ±		Customer Drawing		
FINISH -				

printed on 8 Jun 2021 09:12 (China Standard Time) from TE236667