



Product Compliance

[For compliance documentation, visit the product page on TE.com>](#)

EU RoHS Directive 2011/65/EU	Compliant
EU ELV Directive 2000/53/EC	Compliant
China RoHS 2 Directive MIIT Order No 32, 2016	No Restricted Materials Above Threshold
EU REACH Regulation (EC) No. 1907/2006	Current ECHA Candidate List: JUNE 2023 (235) Candidate List Declared Against: JAN 2023 (233) Does not contain REACH SVHC
Halogen Content	BFR/CFR/PVC Free, but Br/Cl >900 ppm in other sources.
Solder Process Capability	Not applicable for solder process capability

Product Compliance Disclaimer

This information is provided based on reasonable inquiry of our suppliers and represents our current actual knowledge based on the information they provided. This information is subject to change. The part numbers that TE has identified as EU RoHS compliant have a maximum concentration of 0.1% by weight in homogenous materials for lead, hexavalent chromium, mercury, PBB, PBDE, DBP, BBP, DEHP, DIBP, and 0.01% for cadmium, or qualify for an exemption to these limits as defined in the Annexes of Directive 2011/65/EU (RoHS2). Finished electrical and electronic equipment products will be CE marked as required by Directive 2011/65/EU. Components may not be CE marked. Additionally, the part numbers that TE has identified as EU ELV compliant have a maximum concentration of 0.1% by weight in homogenous materials for lead, hexavalent chromium, and mercury, and 0.01% for cadmium, or qualify for an exemption to these limits as defined in the Annexes of Directive 2000/53/EC (ELV). Regarding the REACH Regulation, the information TE provides on SVHC in articles for this part number is based on the latest European Chemicals Agency (ECHA) 'Guidance on requirements for substances in articles' posted at this URL: <https://echa.europa.eu/guidance-documents/guidance-on-reach>

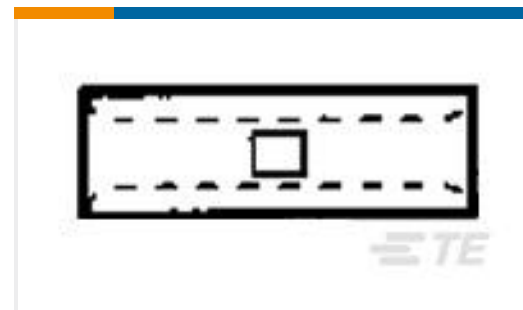
Compatible Parts



Customers Also Bought



TE Part #5748678-3
2 PC PLST CBL CLMP KIT



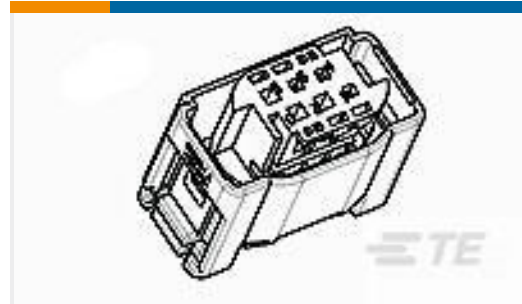
TE Part #323755
TERM, SPLC, BUTT, STRAT, SOLIS, HR
12-10



TE Part #184000-1
2 POS. PLUG ASSY, KEY A, BLACK



TE Part #2-1418883-1
62.POS.MIXED REC.HSG



TE Part #2-967616-1
6POS MQS REC SEALED COD B



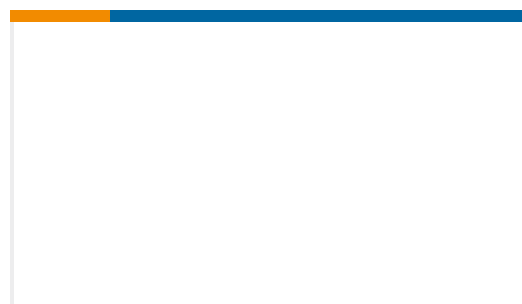
TE Part #776315-1
68 POSITION PLUG ASSEMBLY



TE Part #9-1452931-9
76POS,MCON 1.2 CB,REC HSG,ASSY,
SLD



TE Part #9-1452995-9
76POS,MCON 1.2 CB,REC HSG,ASSY,
SLD



TE Part #4-1437287-5
130025602401=130025602401

Documents

CAD Files

3D PDF

English

Customer View Model

[ENG_CVM_1452990-1_B.2d_dxf.zip](#)

English

Customer View Model

[ENG_CVM_1452990-1_B.3d_igs.zip](#)

English

Customer View Model

[ENG_CVM_1452990-1_B.3d_stp.zip](#)

English

By downloading the CAD file I accept and agree to the [Terms and Conditions](#) of use.