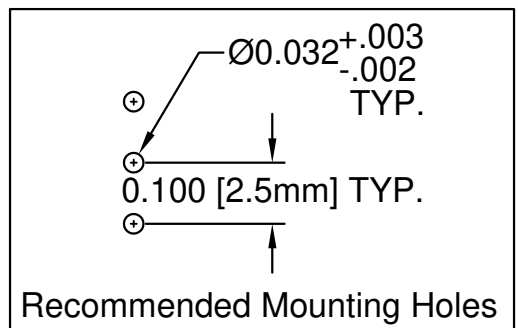
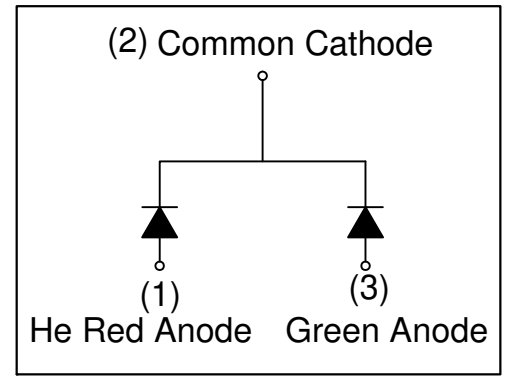
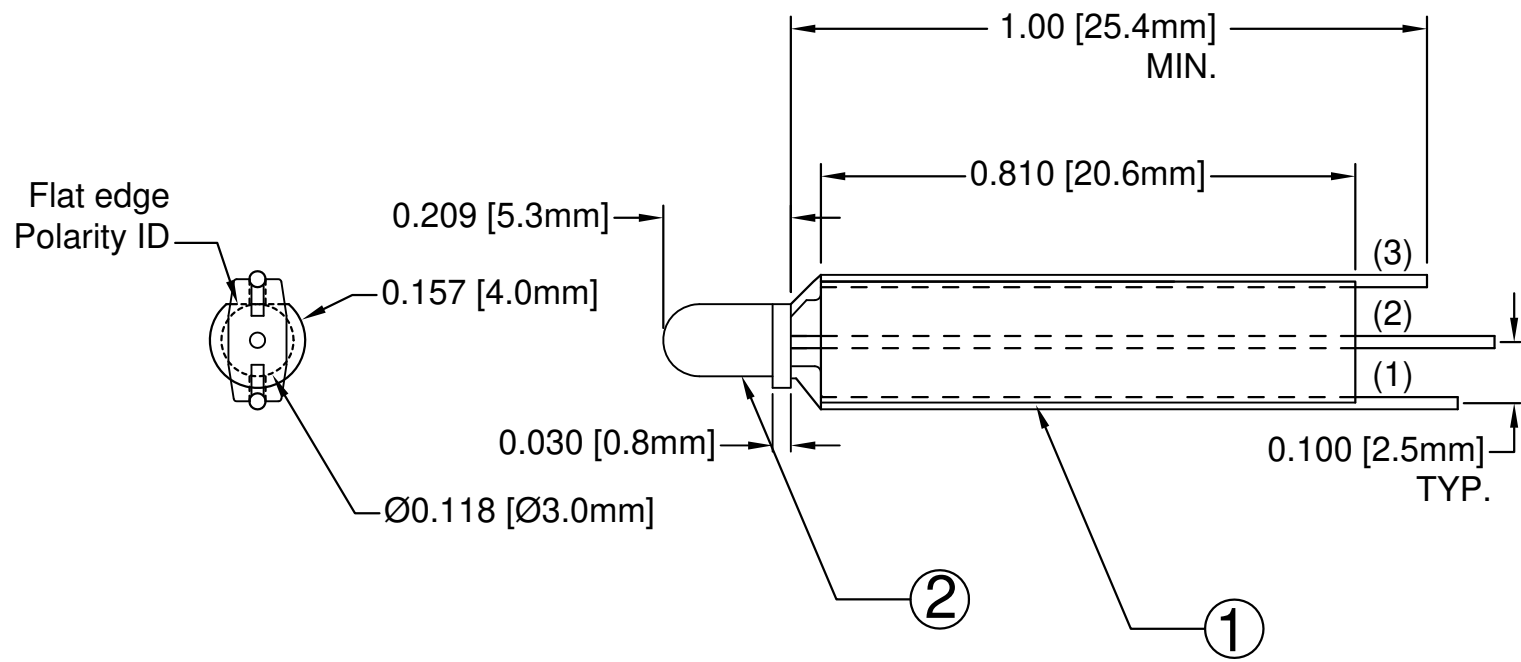


ITEM	QTY	PART NUMBER	PART DESCRIPTION
1	1	ERM 1-810	Extruded, Self-Retaining LED Holder, .810"
2	1	3BC-3-F	T-1 (3mm) Flanged LED, Bi-Color

REV.	DESCRIPTION	DATE	APPROVED
A	Engineering Release.	08/09/07	M. C.
B	Updated Lead Lengths.	02/01/08	M. C.
C	Engineering Update w/o Changes	05/25/16	J. C.



LED Part No.	Chip			Lens Appearance	Absolute Max. Ratings				Electro-Optical Data @ 20m A			Viewing Angle (Deg)
	Material	Peak Wave Length $\lambda_p$ (nm)	Emitted Color		$\Delta\lambda$ (nm)	Pd (mW)	If (mA)	Peak If (mA)	Vf (V)		Iv (mcd)	
									TYP	MAX	TYP	
3BC-3-F	GaAsP/GaP	635	HE RED	45	80	30	150	2.0	2.6	35.0	40	
	GaP/GaP	568	GREEN	30	80	30	150	2.2	2.6	35.0		

## ABSOLUTE MAXIMUM RATINGS (Ta = 25°C)

OPERATING TEMPERATURE RANGE \_\_\_\_\_ -25°C ~ 85°C  
 STORAGE TEMPERATURE \_\_\_\_\_ -30°C ~ 100°C  
 LEAD SOLDERING TEMPERATURE (1/16" FROM BODY) \_\_\_\_\_ 260°C for 5 Seconds

STANDARD TOLERANCE (UNLESS OTHERWISE SPECIFIED)	
DECIMALS	ANGULAR
.X ±.1	X° ±1°
.XX ±.02	
.XXX ±.010	

**BIVAR**<sup>®</sup>  
 4 THOMAS, IRVINE, CA. 92618  
 TEL: (949) 951-8808 FAX: (949) 951-3974

DESIGNED: <b>D. Beckman</b>	DATE: <b>08/09/07</b>	PART NO: <b>ERM18103BC-3</b>	REVISION: <b>C</b>
CHECKED: <b>T. Yin</b>	DATE: <b>08/09/07</b>		CAGE CODE : <b>32559</b>

CAD GENERATED DOCUMENT. DO NOT MEASURE DRAWING.