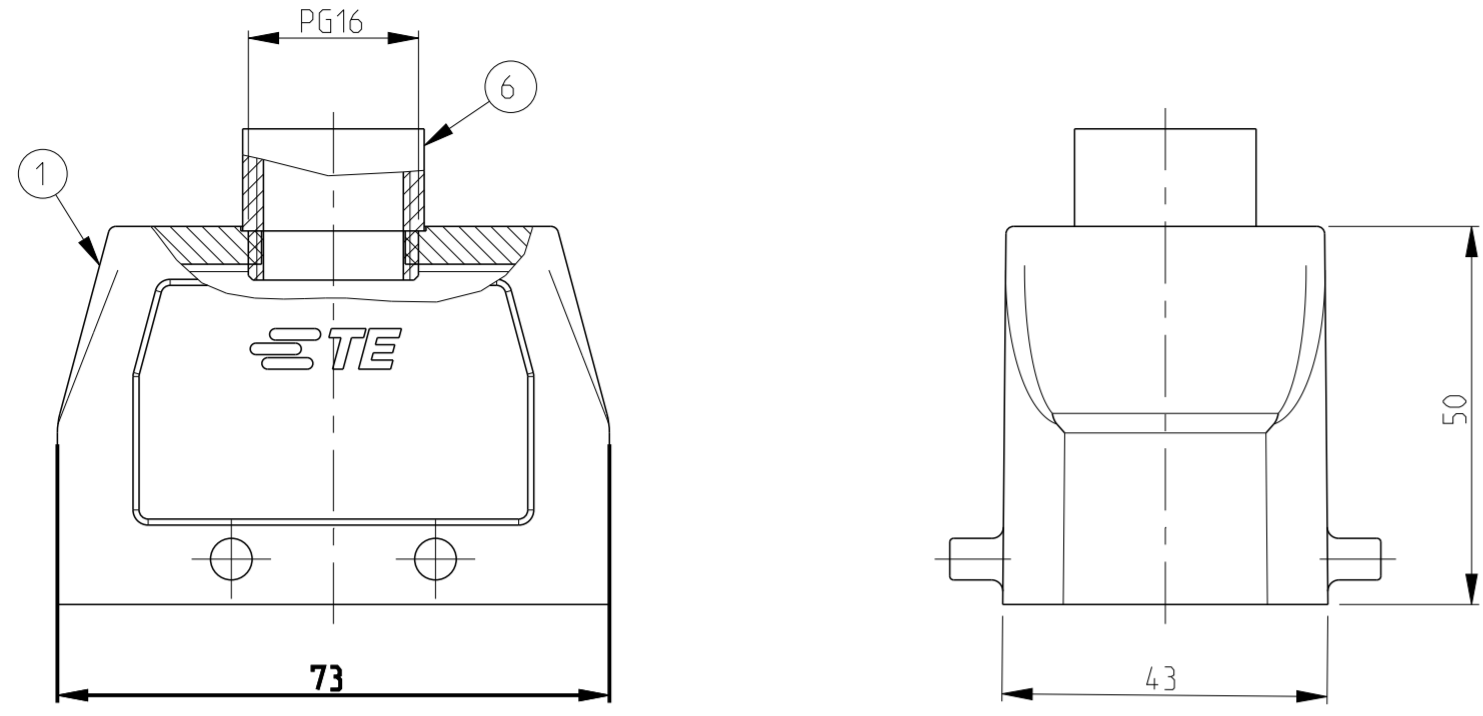


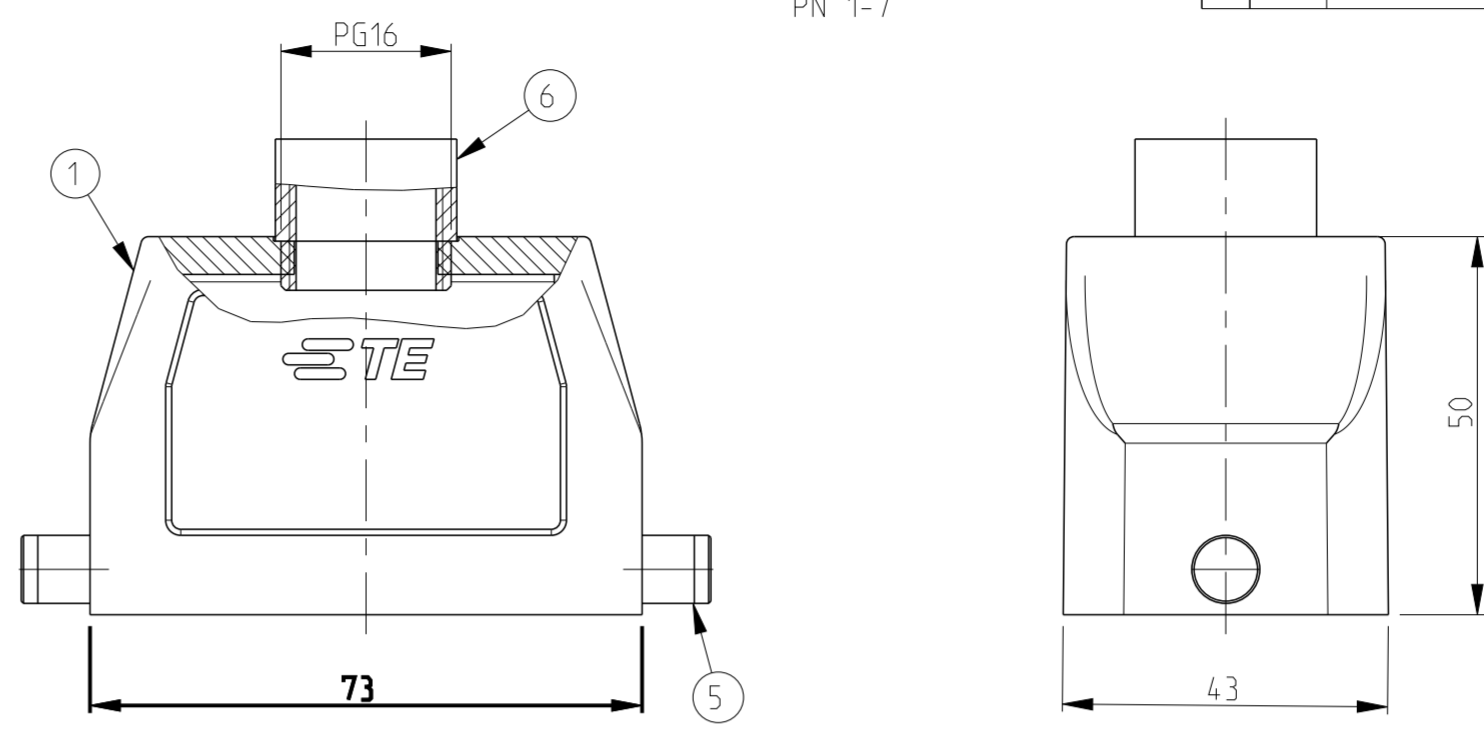
REVISIONS

P	LTR	DESCRIPTION	DATE	DWN	APVD
A3		ECR-21-123293	22FEB2022	RK	JB

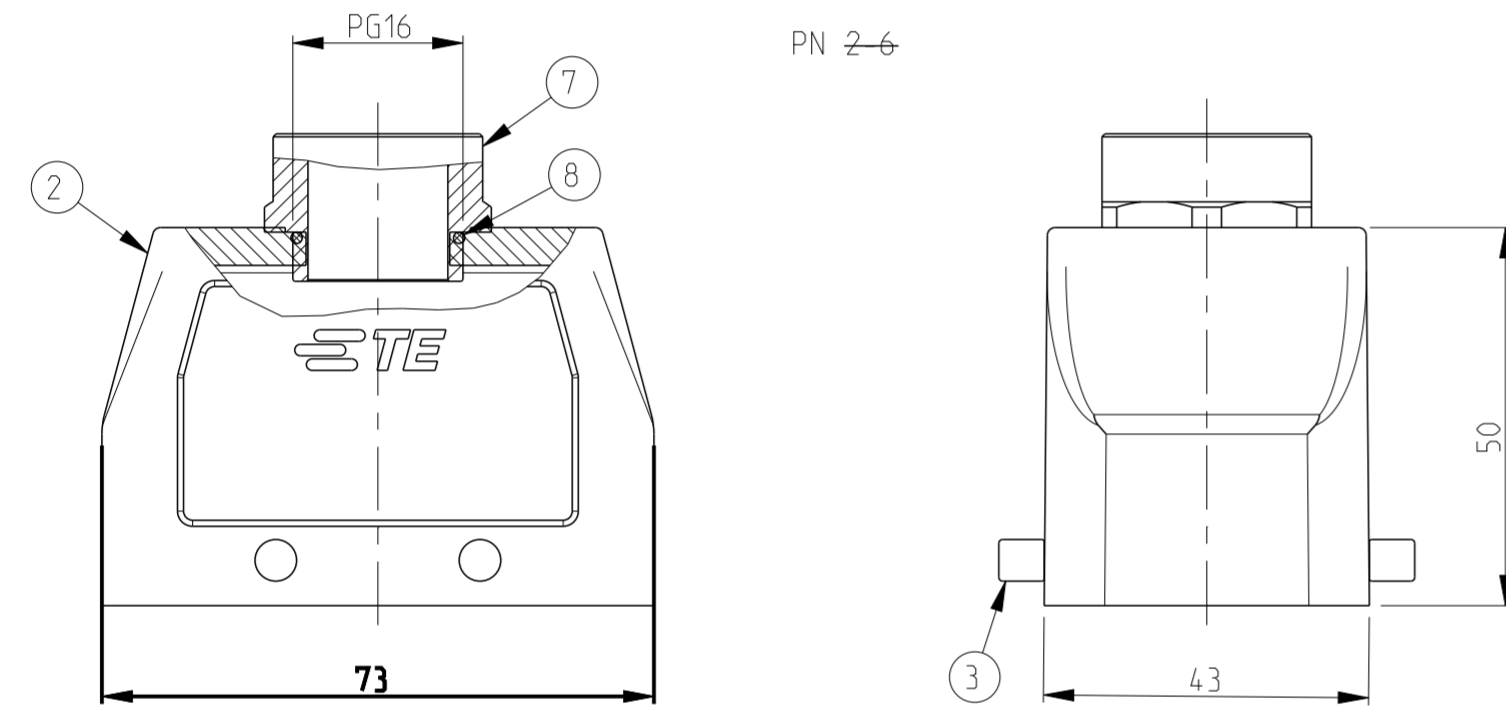
PN 4-6



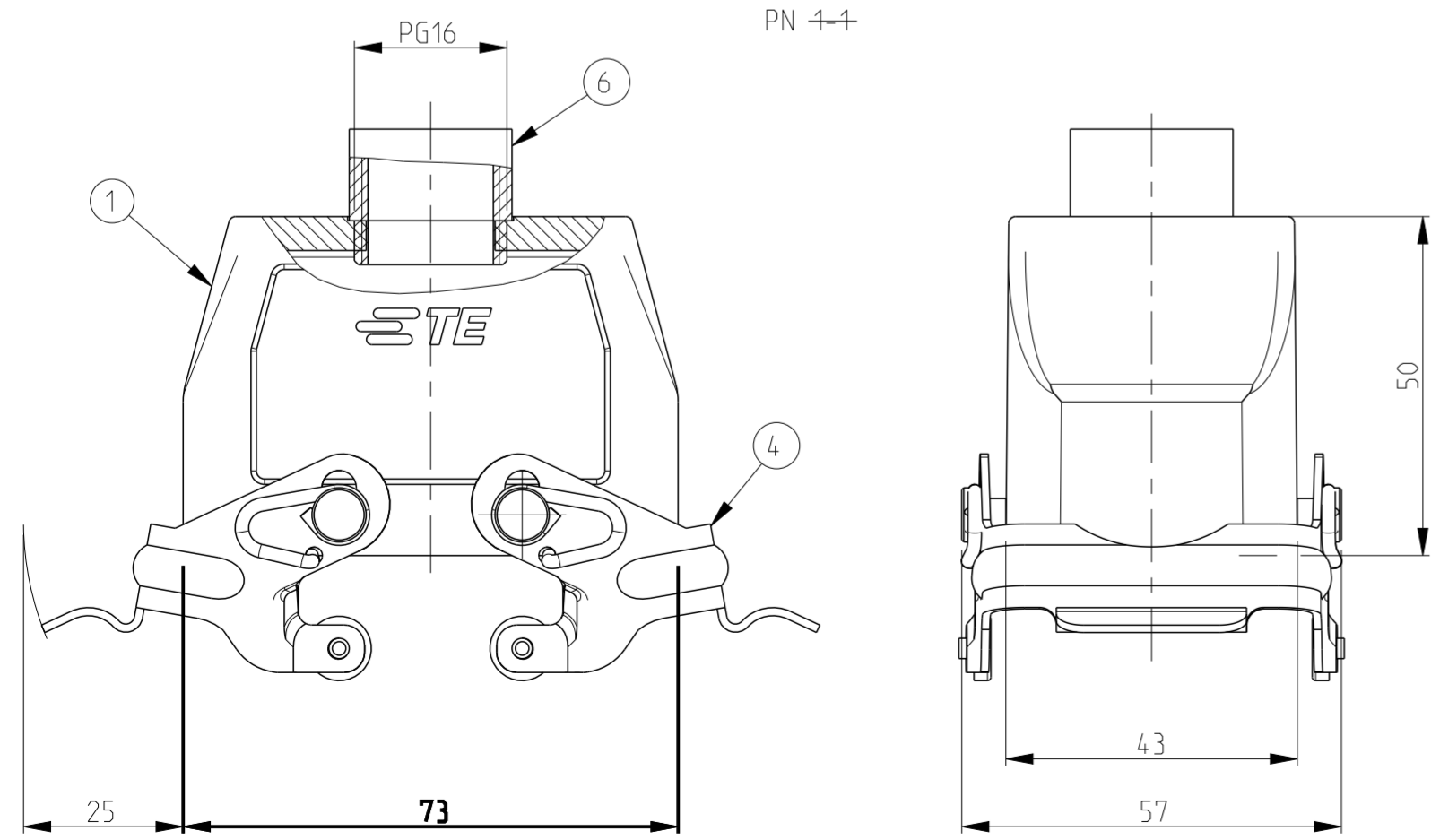
PN 1-7



PN 2-6

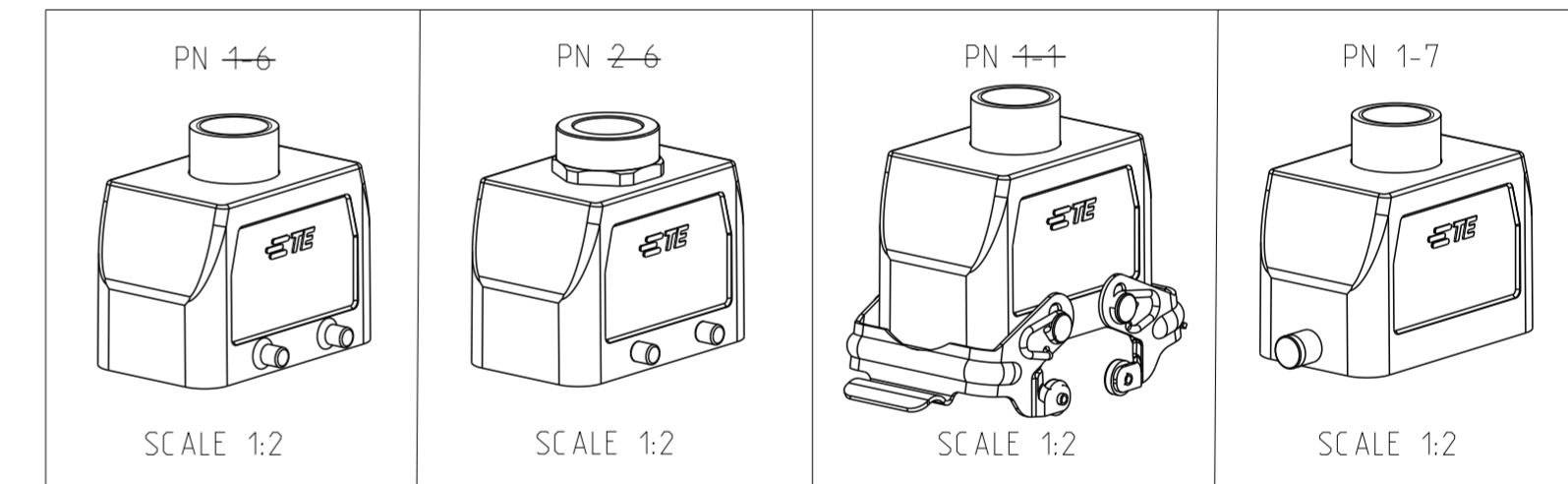


PN 4-4



NOTES.

- 1 Material:Housing:Aluminium Diecasting Alloy
- 2 Surface-Powder Varnish Grey
-Aluminium Oxide +
Varnish Black
- 3 Varnish on the inside not necessary
- 4 Packaging
Quantity 5 Pieces in a box



OBSOLETE									
QTY	QTY	QTY	QTY	DESCRIPTION	MATERIAL	SURFACE	COLOR	ITEM NO	NOTES
	1			0-Ring PG16	Neoprene	-	Black	8	
	1			6-Kt-Adaptor PG16	Brass	Nickel plated	Blue	7	
1	1		1	Adaptor round PG16	Brass	Nickel plated	Blue	6	
2				LB-Slide spool	Steel	Zinc plated	-	5	
	2			VS-Side clip	Steel	Zinc plated	Blue	4	
	4			VS-Clip bolt	Stainless steel	Blank	-	3	
	1			Hood HB.10	Aluminium	Aluminium oxide	Black	2	
1	1		1	Hood HB.10	Aluminium	-	Grey	1	
1-7	1-12	6-1	6	DESCRIPTION	MATERIAL	SURFACE	COLOR	ITEM NO	NOTES
ORDERING TEXT									
HB.10.STO.1.16.Z									
HB-K.10.STO.1.16.Z									
HB.10.STO-VS.1.16.Z									
HB.10.STO-GR.1.16.Z									

THIS DRAWING IS A CONTROLLED DOCUMENT.

DWN Schneider 05.06.02
CHK Schweiger 05.06.02
APVD -

NAME Hood HB.10.STO.1.16.Z

SIZE A2 CAGE CODE 00779 DRAWING NO C-1102266 RESTRICTED TO -

CUSTOMER DRAWING SCALE 1:1 SHEET 1 OF 1 REV A3

TOLERANCES UNLESS OTHERWISE SPECIFIED:
 0 PLC ±
 1 PLC ±
 2 PLC ±
 3 PLC ±
 4 PLC ±
 ANGLES ±
 FINISH -