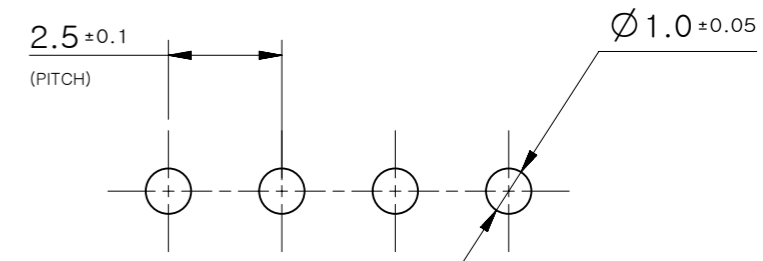


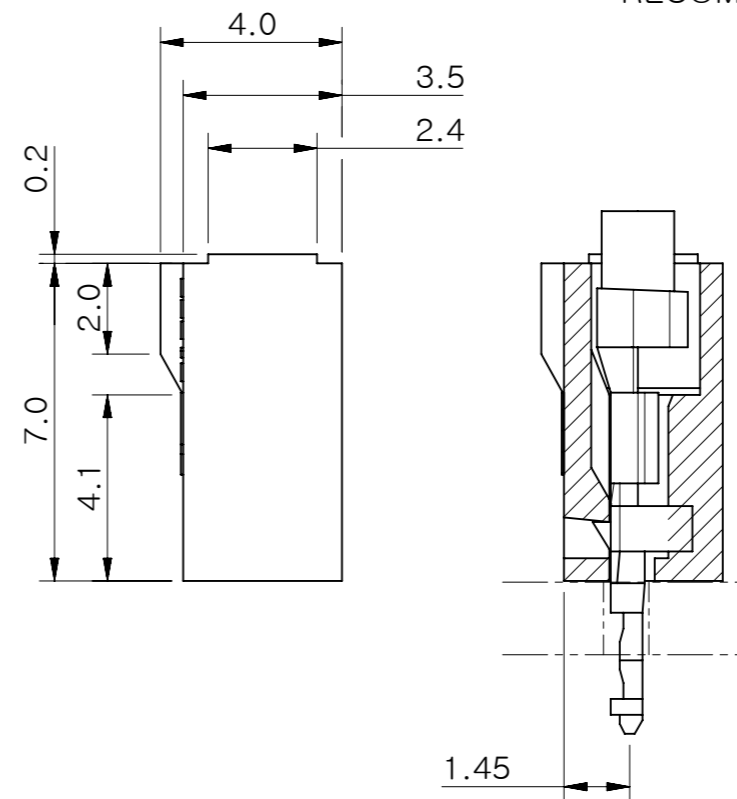
NOTES.

1. APPLICABLE TERMINAL : 500978*00
2. TRADE MARK IS FORMED BY MXJ AND BY 1-2 DIGIT NUMBER (TO CAVITY NO.) AND BY 1 LETTER OD ALPHABET (TO MOLD NO.)
3. ELV AND RoHS COMPLIANT

(NON-ACCUMULATIVE)

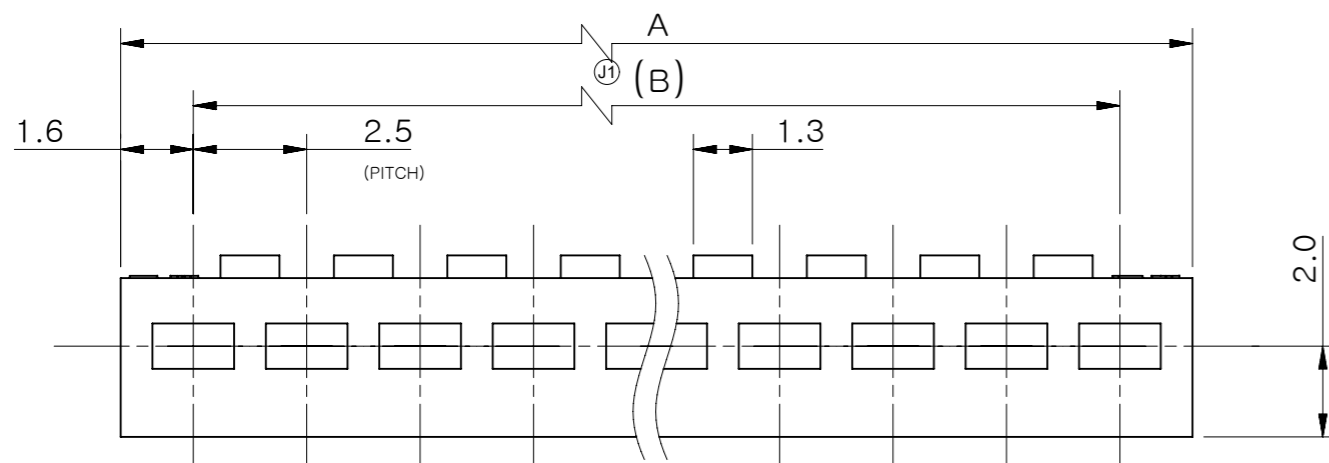
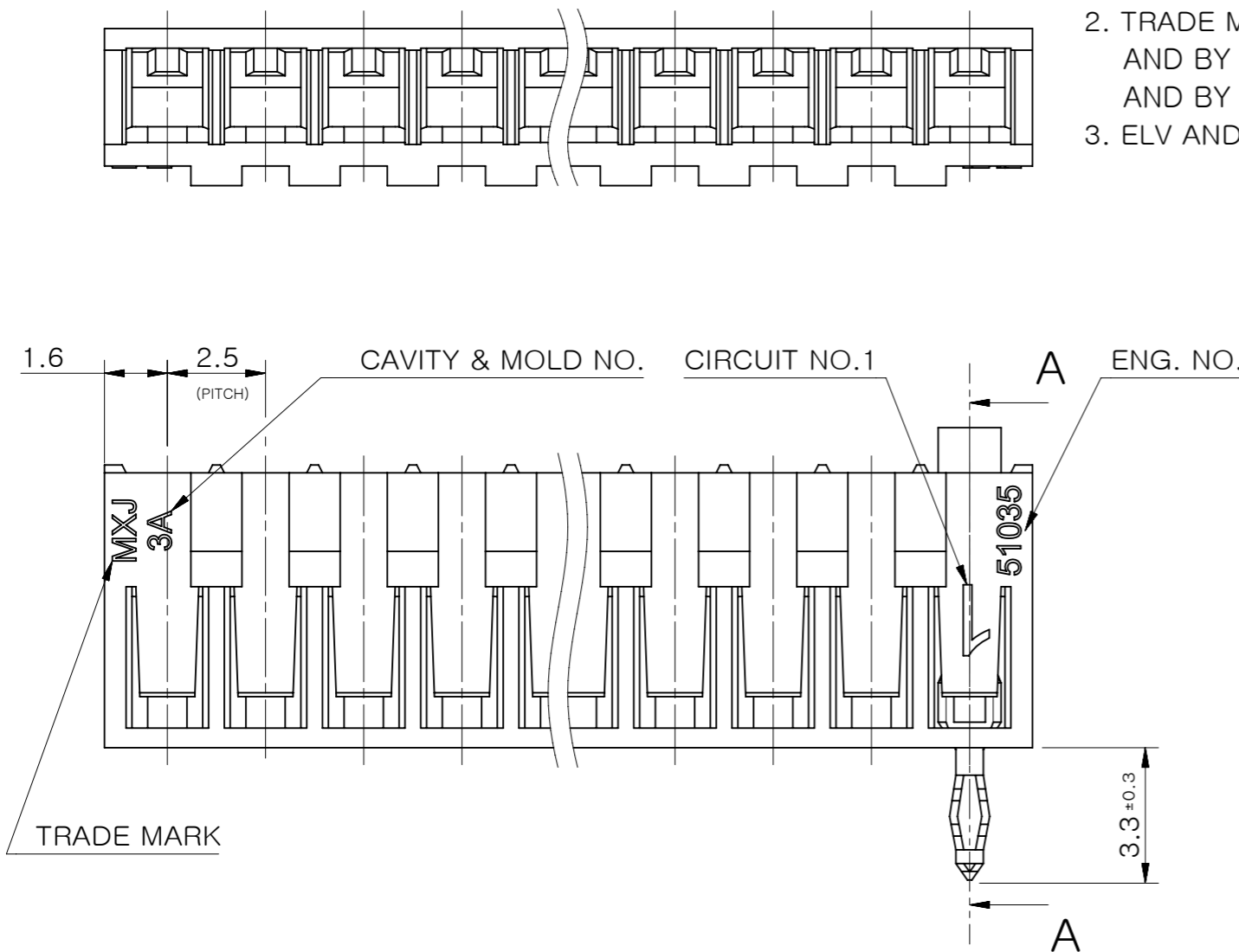


RECOMMENDED PC BOARD HOLE DIMENSION
(THICKNESS : 1.6mm)



SECTION A-A

| | | | |
|------|------|-----------|------|
| 35.0 | 38.2 | 510351500 | 15 |
| 32.5 | 35.7 | 510351400 | 14 |
| 30.0 | 33.2 | 510351300 | 13 |
| 27.5 | 30.7 | 510351200 | 12 |
| 25.0 | 28.2 | 510351100 | 11 |
| 22.5 | 25.7 | 510351000 | 10 |
| 20.0 | 23.2 | 510350900 | 9 |
| 17.5 | 20.7 | 510350800 | 8 |
| 15.0 | 18.2 | 510350700 | 7 |
| 12.5 | 15.7 | 510350600 | 6 |
| 10.0 | 13.2 | 510350500 | 5 |
| 7.5 | 10.7 | 510350400 | 4 |
| 5.0 | 8.2 | 510350300 | 3 |
| 2.5 | 5.7 | 510350200 | 2 |
| B | A | ORDER NO. | CKT. |



| GENERAL TOLERANCES (UNLESS SPECIFIED) | |
|--|-------|
| 10 UNDER | ±0.2 |
| 10 OVER 30 UNDER | ±0.25 |
| 30 OVER | ±0.3 |
| DRAFT WHERE APPLICABLE MUST REMAIN WITHIN DEMENSIONS | |

| | |
|------------|---|
| MATERIAL | POLYAMIDE, UL94V-0 |
| WIRE RANGE | AWG #24 ~ 20 KV 0.2 ~ 0.5 AVS 0.3 ~ 0.5 |
| INS. RANGE | Ø1.3 ~ Ø2.1 |

| | | | | | | | | | | | | | | | | | | | | | | | | | | | | |
|--|---|-----------------|-----------|--------------|---------------------------------------|----------------|--------|--------------------|----|------------|--|--|------------|--|--|------------|--|--|-----------|--|--|------------|--|--|--|--|--|--|
| FUNCTIONAL SYMBOLS | THIS DRAWING CONTAINS INFORMATION THAT IS PROPRIETARY TO MOLEX ELECTRONIC TECHNOLOGIES, LLC AND SHOULD NOT BE USED WITHOUT WRITTEN PERMISSION | | | | | | | | | | | | | | | | | | | | | | | | | | | |
| <table border="1"> <tr><td>√A = 0</td><td>mm</td><td>SCALE 6:1</td></tr> <tr><td>√E = 0</td><td colspan="2">GENERAL TOLERANCES (UNLESS SPECIFIED)</td></tr> <tr><td>√F = 0</td><td colspan="2">ANGULAR TOL ± 3.0°</td></tr> <tr><td>4 PLACES ±</td><td colspan="2"></td></tr> <tr><td>3 PLACES ±</td><td colspan="2"></td></tr> <tr><td>2 PLACES ±</td><td colspan="2"></td></tr> <tr><td>1 PLACE ±</td><td colspan="2"></td></tr> <tr><td>0 PLACES ±</td><td colspan="2"></td></tr> <tr><td colspan="3">DRAFT WHERE APPLICABLE MUST REMAIN WITHIN DIMENSIONS</td></tr> </table> | √A = 0 | mm | SCALE 6:1 | √E = 0 | GENERAL TOLERANCES (UNLESS SPECIFIED) | | √F = 0 | ANGULAR TOL ± 3.0° | | 4 PLACES ± | | | 3 PLACES ± | | | 2 PLACES ± | | | 1 PLACE ± | | | 0 PLACES ± | | | DRAFT WHERE APPLICABLE MUST REMAIN WITHIN DIMENSIONS | | | <p>CURRENT REV DESC:</p> <p>EC NO: 659039 DRWN: JDPARK01 CHK'D: SCHONG03 APPR: JBJIN</p> <p>INITIAL REVISION: DRWN: RHORI APPR: NUKITA</p> <p>2021/03/24 2021/03/24 2021/03/24 2011/05/12 2011/05/16</p> |
| √A = 0 | mm | SCALE 6:1 | | | | | | | | | | | | | | | | | | | | | | | | | | |
| √E = 0 | GENERAL TOLERANCES (UNLESS SPECIFIED) | | | | | | | | | | | | | | | | | | | | | | | | | | | |
| √F = 0 | ANGULAR TOL ± 3.0° | | | | | | | | | | | | | | | | | | | | | | | | | | | |
| 4 PLACES ± | | | | | | | | | | | | | | | | | | | | | | | | | | | | |
| 3 PLACES ± | | | | | | | | | | | | | | | | | | | | | | | | | | | | |
| 2 PLACES ± | | | | | | | | | | | | | | | | | | | | | | | | | | | | |
| 1 PLACE ± | | | | | | | | | | | | | | | | | | | | | | | | | | | | |
| 0 PLACES ± | | | | | | | | | | | | | | | | | | | | | | | | | | | | |
| DRAFT WHERE APPLICABLE MUST REMAIN WITHIN DIMENSIONS | | | | | | | | | | | | | | | | | | | | | | | | | | | | |
| <p>molex</p> <p>2.5 BOARD IN CONN. HOUSING</p> <p>PRODUCT CUSTOMER DRAWING</p> | | | | | | | | | | | | | | | | | | | | | | | | | | | | |
| <table border="1"> <tr> <td>DOCUMENT NUMBER</td> <td>DOC TYPE</td> <td>DOC PART</td> <td>REVISION</td> </tr> <tr> <td>SD-51035-001</td> <td>PSD</td> <td>001</td> <td>J1</td> </tr> </table> | | DOCUMENT NUMBER | DOC TYPE | DOC PART | REVISION | SD-51035-001 | PSD | 001 | J1 | | | | | | | | | | | | | | | | | | | |
| DOCUMENT NUMBER | DOC TYPE | DOC PART | REVISION | | | | | | | | | | | | | | | | | | | | | | | | | |
| SD-51035-001 | PSD | 001 | J1 | | | | | | | | | | | | | | | | | | | | | | | | | |
| <table border="1"> <tr> <td>MATERIAL NUMBER</td> <td>CUSTOMER</td> <td>SHEET NUMBER</td> </tr> <tr> <td>51035</td> <td>GENERAL MARKET</td> <td>1 OF 1</td> </tr> </table> | | MATERIAL NUMBER | CUSTOMER | SHEET NUMBER | 51035 | GENERAL MARKET | 1 OF 1 | | | | | | | | | | | | | | | | | | | | | |
| MATERIAL NUMBER | CUSTOMER | SHEET NUMBER | | | | | | | | | | | | | | | | | | | | | | | | | | |
| 51035 | GENERAL MARKET | 1 OF 1 | | | | | | | | | | | | | | | | | | | | | | | | | | |