

General Specifications

Motor Protection:

Auto Restart/Polarity Protection

Insulation Resistance:

10M Ω or over with a DC500V Megger

Dielectric Withstand Voltage: AC 700V 1s

Allowable Ambient Temperature Range:

K ~ M Class: -10°C ~ +70°C (Operating)

N ~ R Class: -10°C ~ +60°C (Operating)

All Class: -40°C ~ +70°C (Storage)
(non-condensing environment)

Expected Life

40°C 50,000 Hours (L10)

Material

Casing : Plastic (Black) UL94V-0

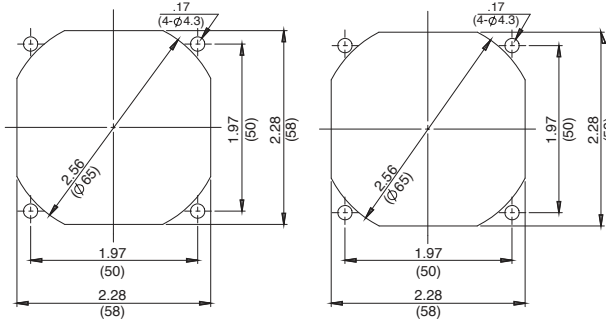
Impeller : Plastic (Black) UL94V-0

Bearing : Sleeve Bearing

Lead Wire : UL1007, AWG26, +Red, -Black, (tach) White

Panel Cut-Outs

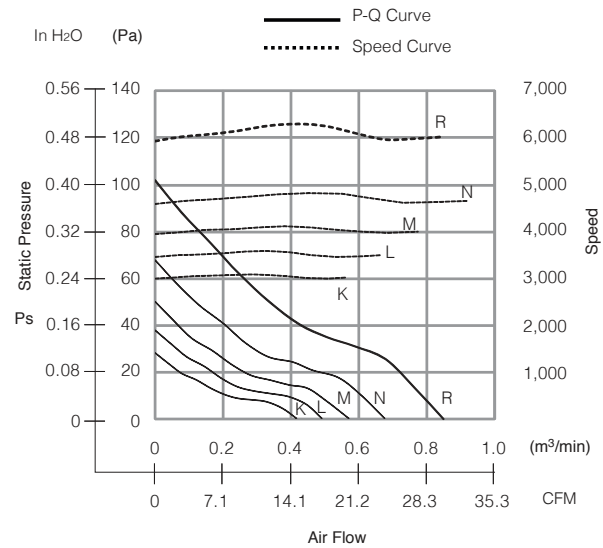
Units: $\frac{\text{inch}}{\text{mm}}$



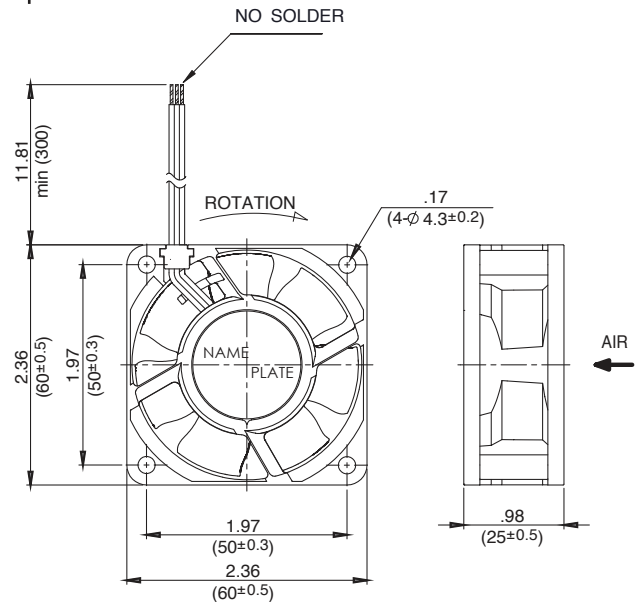
INLET SIDE

OUTLET SIDE

Characteristic Curves



Outline



Specifications

MODEL	Rated Voltage	Operating Voltage	Current	Input Power	Speed	Max. Air Flow		Max. Static Pressure		Noise	Mass
	(V)	(V)	(A) ^{*1}	(W) ^{*1}	(min ⁻¹) ^{*1}	CFM ^{*1}	(m ³ /min) ^{*1}	in H ₂ O	(Pa) ^{*1}	(dB) ^{*1}	(g)
06025SS-12K-AT-D0	12	6.0 ~ 13.8	0.08	0.96	3000	14.48	.41	.10	26.0	21.0	65
06025SS-12L-AT-D0	12	6.0 ~ 13.8	0.09	1.08	3500	16.95	.48	.14	35.0	23.5	65
06025SS-12M-AT-D0	12	6.0 ~ 13.8	0.12	1.44	4000	19.78	.56	.18	46.0	27.5	65
06025SS-12N-AT-D0	12	6.0 ~ 13.2	0.18	2.16	4700	23.31	.66	.25	63.0	33.0	65

Rotation: Clockwise

Airflow Outlet: Air Out Over Struts

*1: Average Values in Free Air

Note: PWM/Locked Rotor/Tach Available

Specifications

MODEL	Rated Voltage	Operating Voltage	Current	Input Power	Speed	Max. Air Flow		Max. Static Pressure		Noise	Mass
	(V)	(V)	(A) ^{*1}	(W) ^{*1}	(min ⁻¹) ^{*1}	CFM ^{*1}	(m ³ /min) ^{*1}	in H ₂ O	(Pa) ^{*1}	(dB) ^{*1}	(g)
06025SS-24K-AT-D0	24	10.0 ~ 27.6	0.04	0.96	3000	14.48	.41	.10	26.0	21.0	65
06025SS-24L-AT-D0	24	10.0 ~ 27.6	0.05	1.20	3500	16.95	.48	.14	35.0	23.5	65
06025SS-24M-AT-D0	24	10.0 ~ 27.6	0.06	1.44	4000	19.78	.56	.18	46.0	27.5	65
06025SS-24N-AT-D0	24	10.0 ~ 26.4	0.09	2.16	4700	23.31	.66	.25	63.0	33.0	65
06025SS-24R-AT-D0	24	10.0 ~ 26.4	0.15	3.60	6000	30.02	.85	.41	101.0	38.5	65

Rotation: Clockwise

Airflow Outlet: Air Out Over Struts

*1: Average Values in Free Air

Note: PWM/Locked Rotor/Tach Available