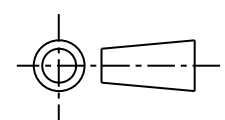


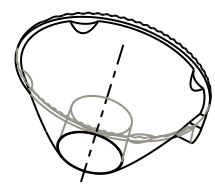
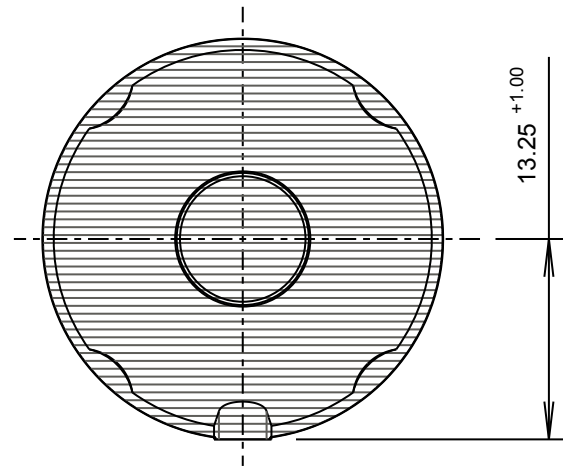
ISS.	DATE	E.C.N.	DESCRIPTION
1	19-Aug-08		FIRST RELEASE

© 2006 CARCLO  
ALL DIMENSIONS IN mm



CARCLO TECHNICAL PLASTICS (SLOUGH) LTD.  
111 BUCKINGHAM AVE, SLOUGH  
SL1 4PF, ENGLAND  
TEL: +44 1753 575011 FAX: +44 1753 811359  
e-mail: design@ctpcoil.co.uk}

**CUSTOMER DRAWING**



SCALE 1:1  
GENERAL VIEW

GENERAL TOLERANCES (UNLESS STATED)

LINEAR	ANGULAR
X +/- 0.25	X +/- 1°
X.X +/- 0.1	X.X +/- 0.5°
X.XX +/- 0.05	X.XX +/- 0.1°

CUSTOMER

CARCLO

TITLE

26.5mm LED OPTIC 0.8mm OFFSET  
ELLIPTICAL

DRAWN

M.B.

DATE

19-Aug-08

CHK'D

DATE

APP'D

DATE

SCALE

2:1

COIL PART No.

10395

SIZE

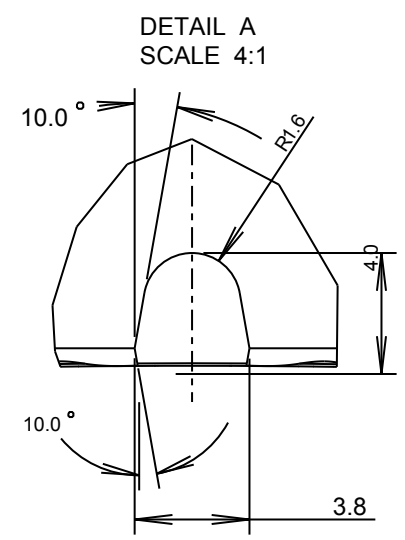
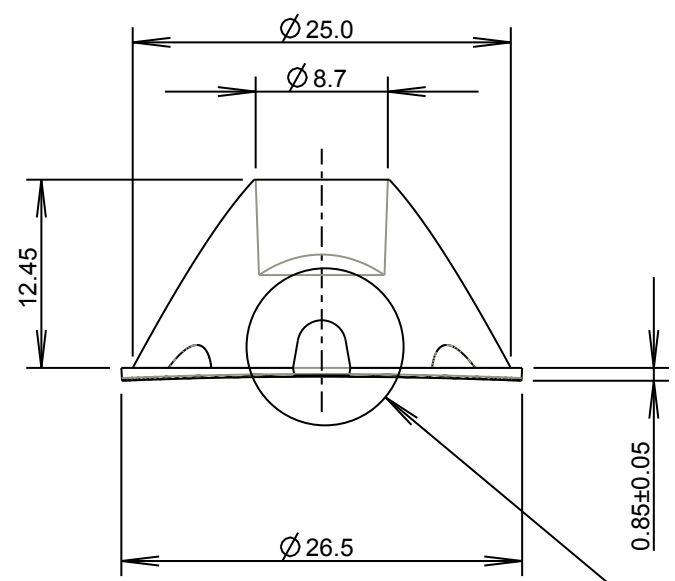
A4

COIL DRG. No.

60538

SHEET

1 OF 1



DETAIL A  
SCALE 4:1

MATERIAL: POLYCARBONATE