

DATE	APPD
11/14/91	LSB
12/24/91	LSB
5/24/93	LSB
3/26/94	LSB

PROJECTION
 RELEASED FOR PUBLICATION
 BY AMP CORPORATION ALL INFORMATION RIGHTS RESERVED.

19

7

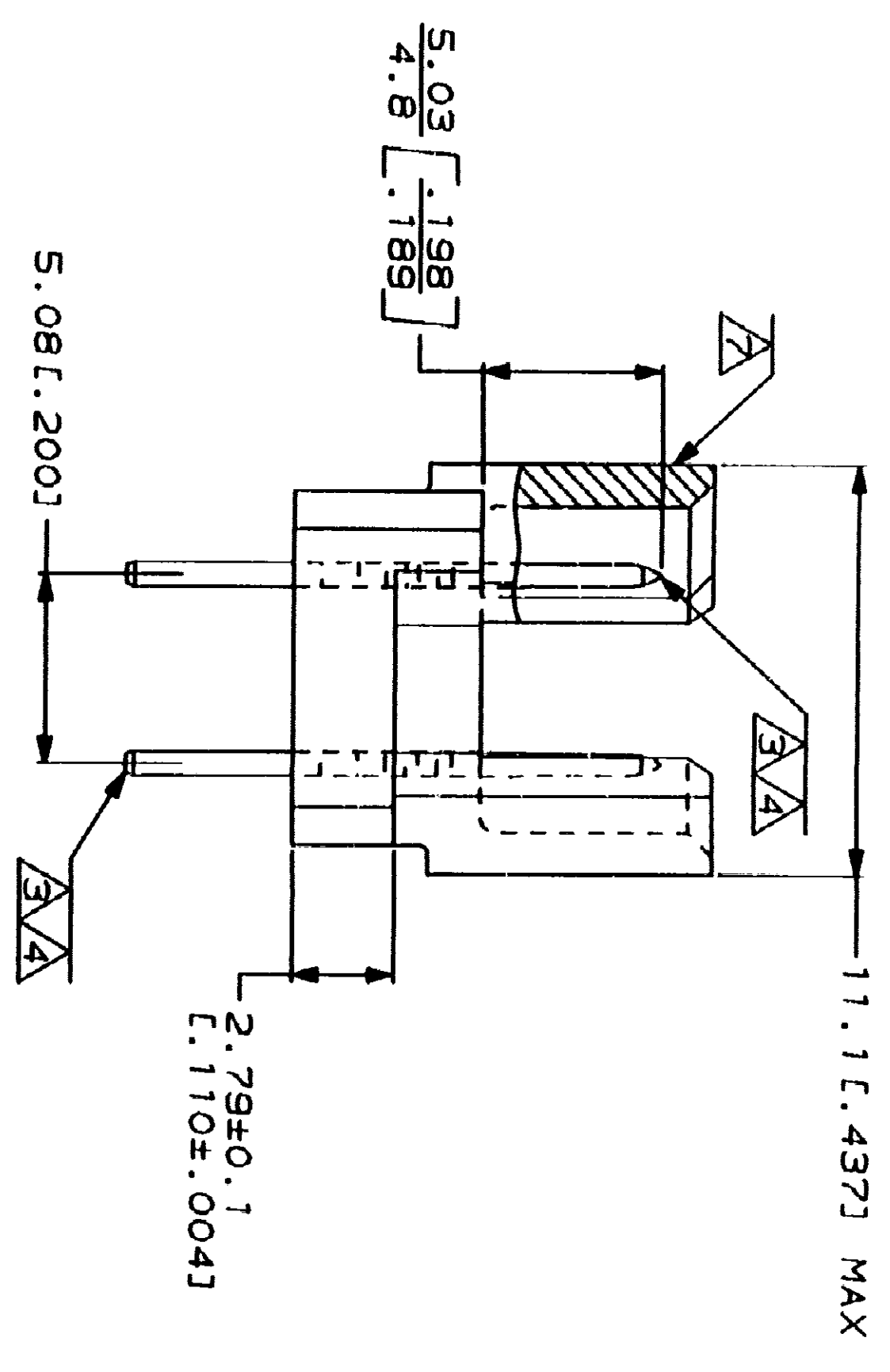
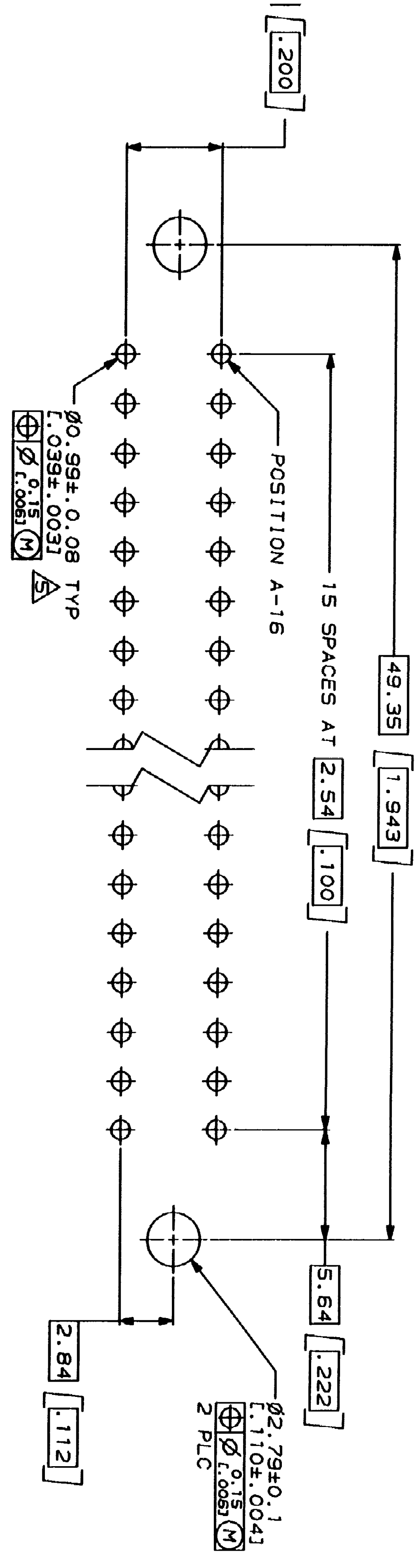
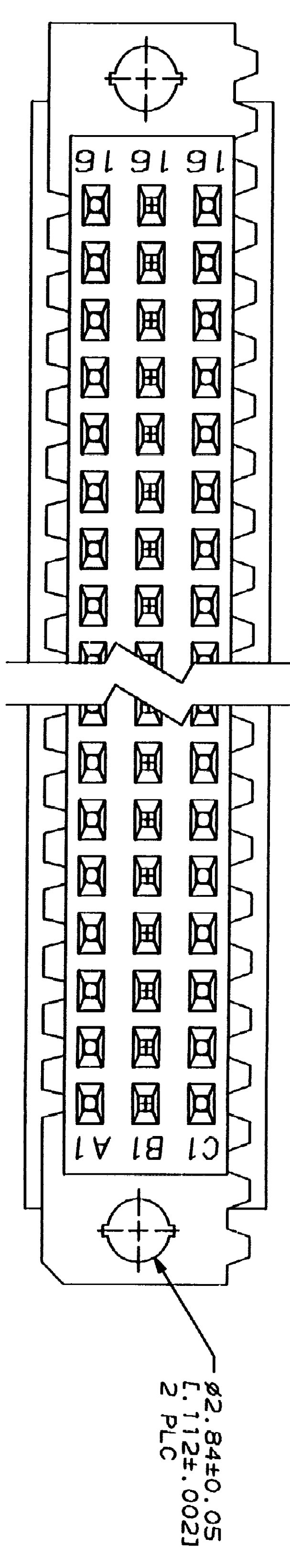
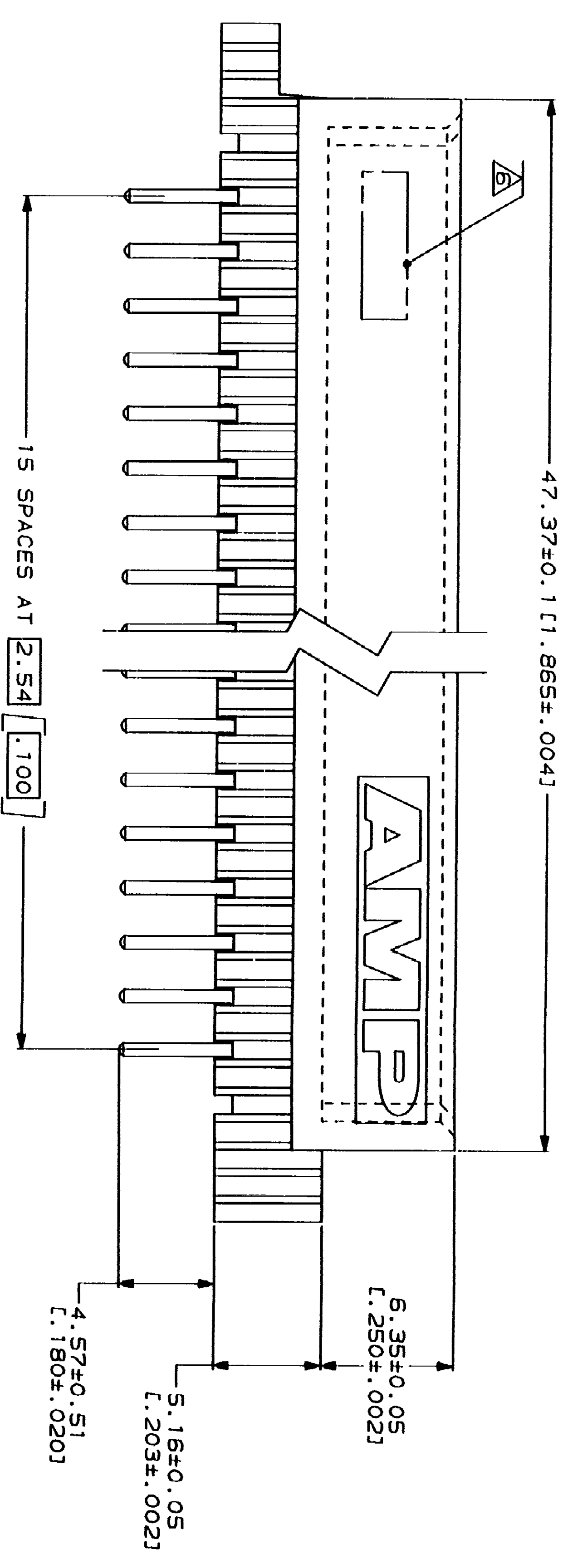
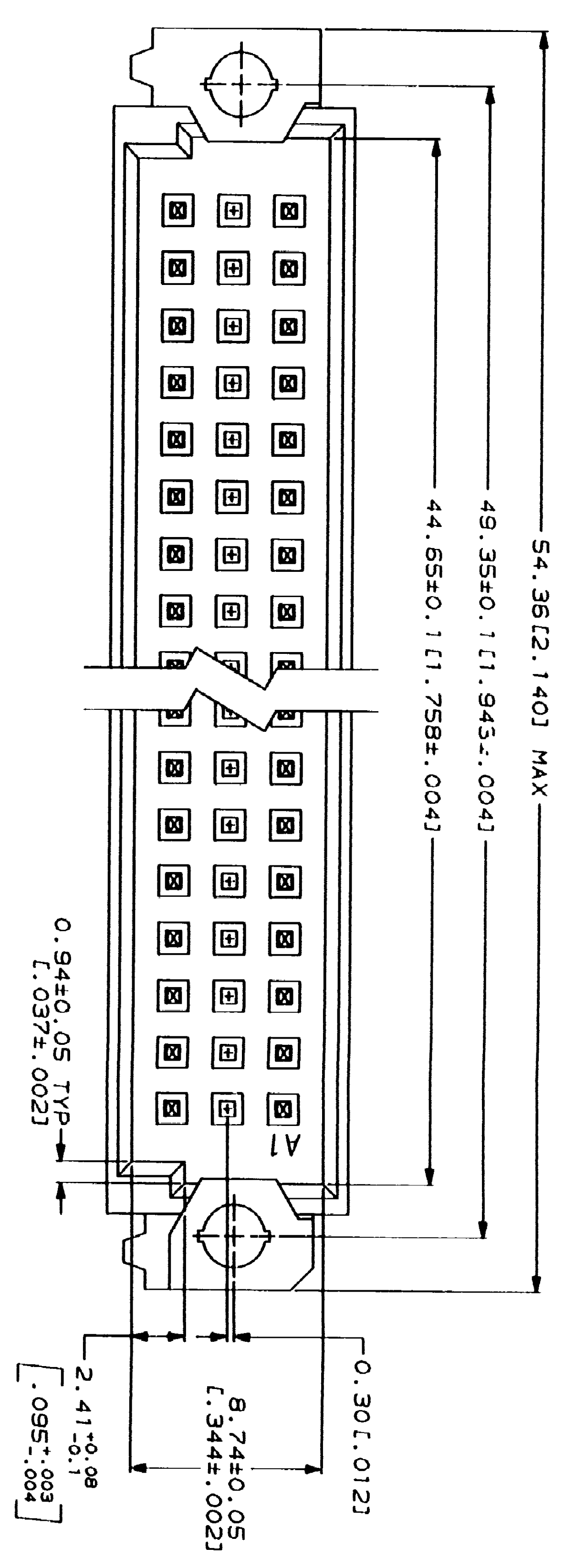
5

4

3

2

LOC	QTY	REV	ZONE	REV	DESCRIPTION
AD	25				
		0			DRAWN
		B			ECN A055861 A05640
		C			ECN A05876
		D			ECN A05871
		E			ECN A06256
		F			EC 0010-0513-93
		G			EC 0010-0498-94



- △ HOUSING MATERIAL: GLASS-FILLED POLYESTER. COLOR: GRAY.
- △ POST MATERIAL: BRASS.
- △ POST FINISH: DIN 41612 CLASS 3 IN CONTACT AREA.
- △ TIN-LEAD PLATE ON POSTS.
- △ POST FINISH: DIN 41612 CLASS 2 IN CONTACT AREA.
- △ TIN-LEAD PLATE ON POSTS.
- △ RECOMMENDED HOLE SIZE FOR MANUAL APPLICATION OF CONNECTOR ONTO PC BOARD.
- △ [PART NUMBER, DATE CODE] MARKED THIS APPROXIMATE AREA.
- △ MARKING ON THIS SIDE.

OBsolete	3	1-16	X	-	X	32
			X	-	X	32

NOTES	POSITIONS LOADED	ROWS LOADED	NO. OF LOADED POSITION	ASSY
	C	B	A	

DO NOT SCALE PRINT. UNLESS SPECIFIED DIMENSIONS IN mm (INCHES)	DR	DATE	NAME
1 PLG DEC ± 0.1 (1.00)	L. BRINER	3/18/91	AMP
2 PLG DEC ± 0.131 (0.05)	D.C. RUBENDALL	3/26/91	AMP
ANGLES	D.C. RUBENDALL	3/26/91	AMP
MATERIAL	K.R. PARKER	3/26/91	AMP
HOUSING, △	PRODUCT SPEC		
POST: △			
FINISH	APPLICATION SPEC		
POST: △/△/△	WEIGHT		
	SCALE	5:1	

PIN ASSEMBLY, EURO1
 TYPE "1/2R"

SIZE CAGE CODE DRAWING NO
 D 00779 6501

CUSTOMER

RAWING

RT NUMBER	T NO	936-9	936-5

DATE	APPD
11/14/91	LSB
12/24/91	LSB
5/24/93	LSB
3/26/94	LSB

DR	DATE	NAME
L. BRINER	3/18/91	AMP
D.C. RUBENDALL	3/26/91	AMP
D.C. RUBENDALL	3/26/91	AMP
K.R. PARKER	3/26/91	AMP

SIZE	CAGE CODE	DRAWING NO
D	00779	6501

SCALE	SHEET
5:1	1 OF 1