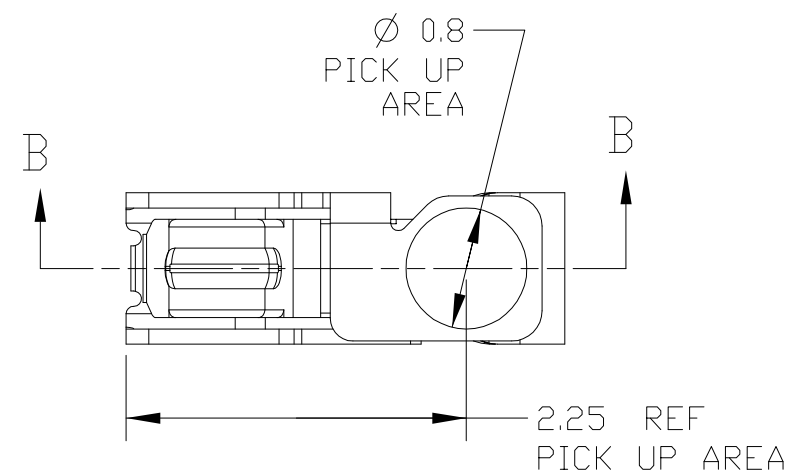
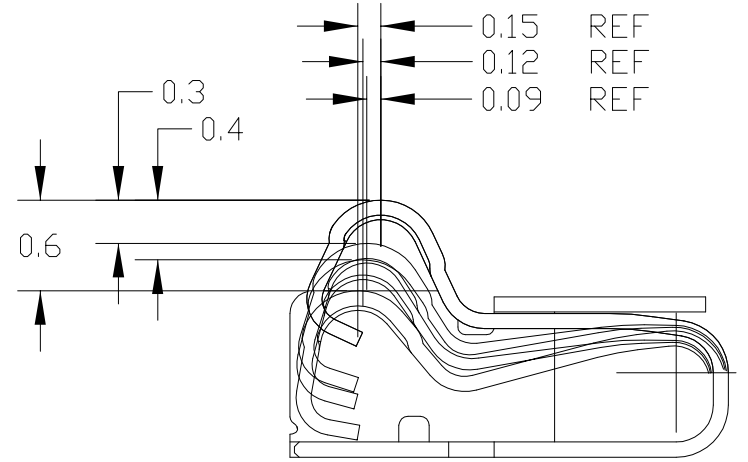


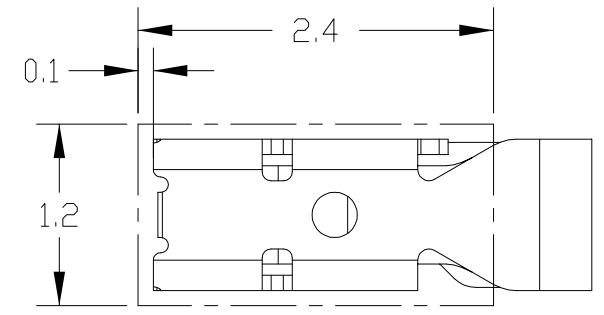
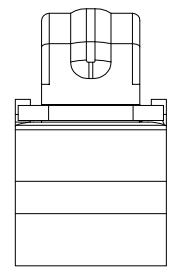
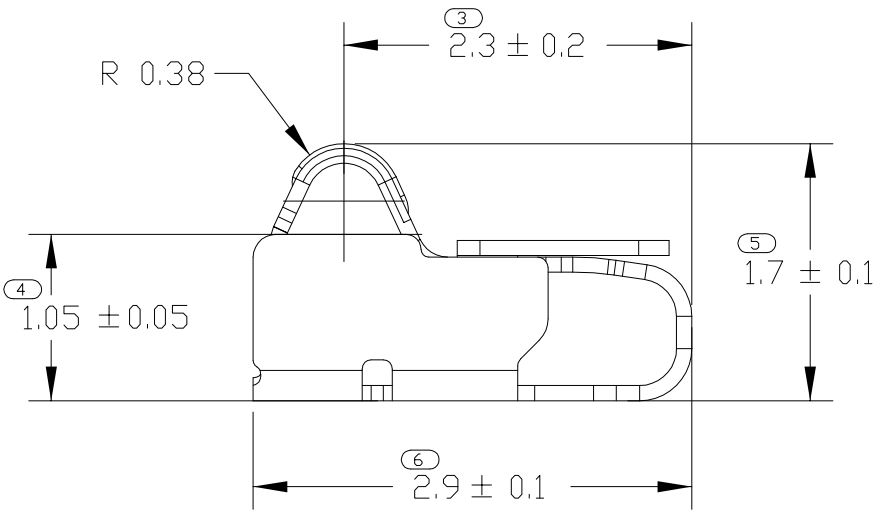
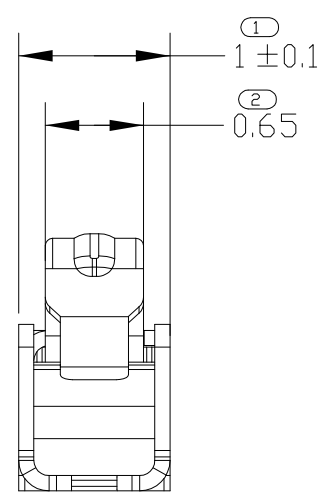
LOC	DIST	REVISIONS					
		P	LTR	DESCRIPTION	DATE	DWN	APVD
-	-		B	REVISED	05JUNE2013	IC.K	JH.K
			C	REVISED	13JUNE2013	IC.K	JH.K
			C1	REVISED	25FEB2014	IC.K	JH.K
			C2	REVISED	05FEB2014	IC.K	JH.K



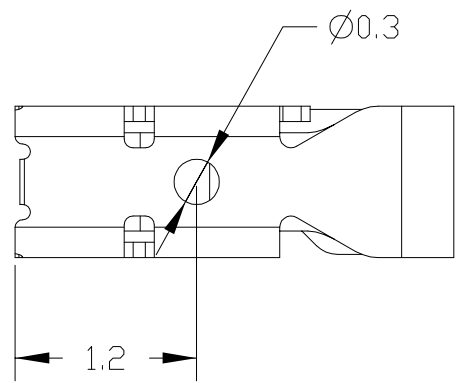
AS SHOWN  
 (C1) 2108611-5/6  
 (C2) 2-2108611-6



SECTION B-B  
 STROKE CONDITION(REFERENCE)



RECOMMENDED PCB LAYOUT  
 (REFERENCE)



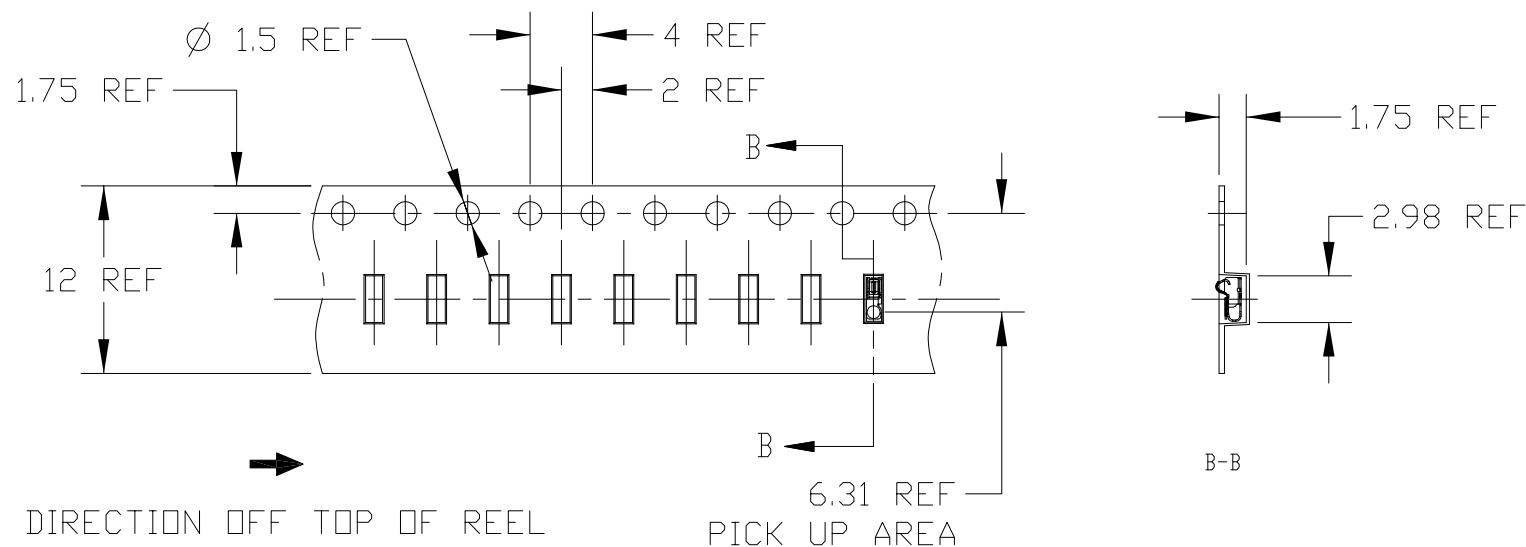
- 1 MATERIAL: COPPER ALLOY, THK.=0.1mm
- 2 FINISH: Ni UNDER PLATING ALL OVER 0.8~3.0um.  
 CONTACT PLATING: Au 0.1~0.4um  
 SOLDER PLATING: Au FLASH 0.05~0.35um
- 3 CUTTING BURR: 0.05mm MAX.
- (C1) 4 F/G SHOULD BE SEPARATED BASED ON THE CUSTOMER'S PART NUMBER AS BELOW TABLE

NO	PART NUMBER	CUSTOMER PART NUMBER	PRODUCT SPEC
1	2108611-5	MCE62632901	108-61186
2	2108611-6	EAG63652201	
(C2) 3	2-2108611-6	-	108-61251

THIS DRAWING IS A CONTROLLED DOCUMENT.		DWN IC KANG 05APR2013		
DIMENSIONS: mm		CHK JH KIM 05APR2013		
TOLERANCES UNLESS OTHERWISE SPECIFIED: ±0.15		APVD JH KIM 05APR2013	NAME	
0-PLC ± 1-PLC ±0.5 2-PLC ±0.13 3-PLC ±0.013 4-PLC ±0.0001 ANGLES ±		PRODUCT SPEC SEE TABLE 4	SPRING FINGER 1.7H	
MATERIAL - 1		APPLICATION SPEC	SIZE	RESTRICTED TO
FINISH - 2		WEIGHT -	CAGE CODE	
		CUSTOMER DRAWING	DRAWING NO	
		SCALE 20:1	SIZE A3	
			CAGE CODE 00779	
			DRAWING NO C=2108611	
			SHEET 1 OF 3	
			REV C2	

LOC	DIST	REVISIONS					
		P	LTR	DESCRIPTION	DATE	DWN	APVD
-	-			SEE SHEET 1			

① 4 <2108611-5 : FOR MCE62632901>

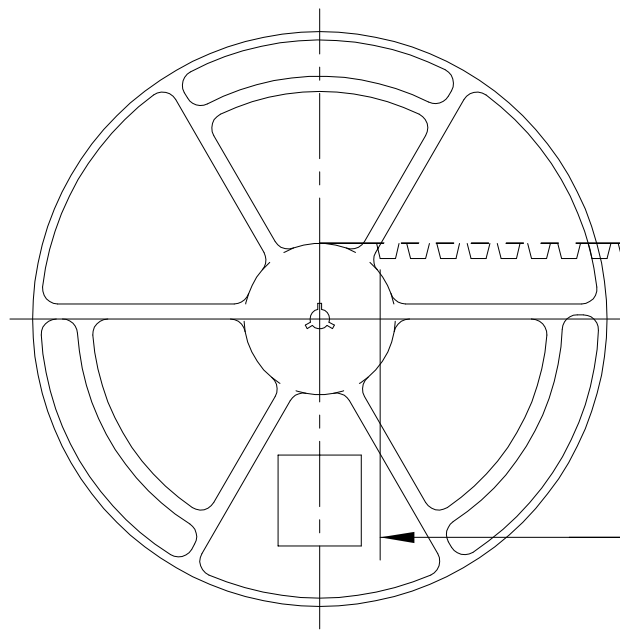
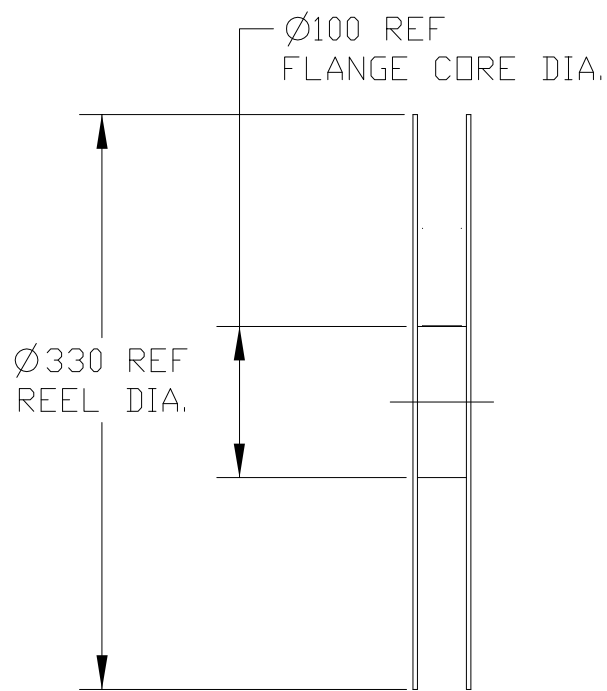


①

MCE62632901-YYYYMMDD-\*\*\*\*\*-HK000120  
 SPEC: 1.7H SPRING FINGER WITH EMBOSS  
 Company Name: TE CONNECTIVITY  
 Tyco Part Number : 2108611-5

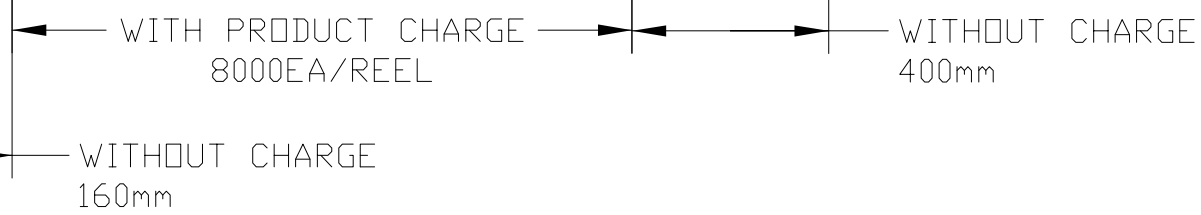
**RoHS H/F**

- 1. LG PART NO.
- 2. FINAL INSPECTION(YYYMMDD)
- 3. VENDOR PRODUCTION LOT NO.
- 4. VENDOR CODE



WEEDING THE COVER TAPE, AROUND THE OUTER PERIPHERY IN A TURN.

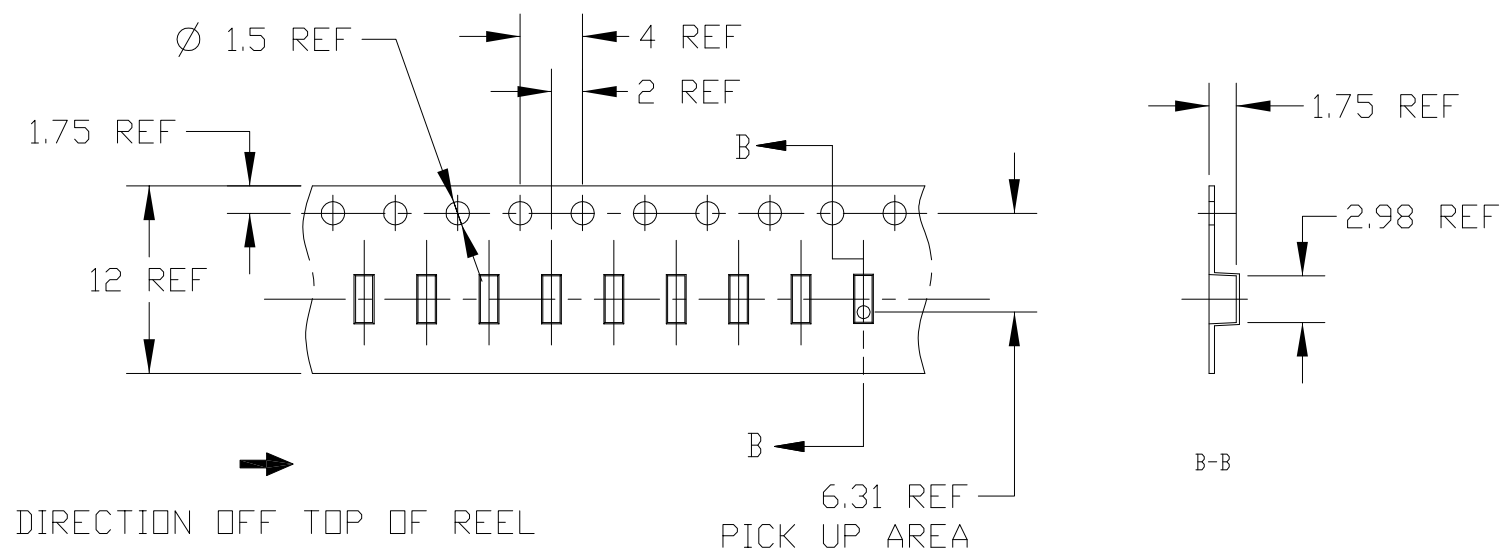
165°~180° PEELING ANGLE  
 0.1~1.0 N PEELING FORCE



THIS DRAWING IS A CONTROLLED DOCUMENT.		DWN	IC KANG	05APR2013	TE Connectivity			
DIMENSIONS: mm		CHK	JH KIM	08FEB2013				NAME
TOLERANCES UNLESS OTHERWISE SPECIFIED: ±0.15		APVD	JH KIM	08FEB2013	SPRING FINGER 1.7H			
0-PLC ±		PRODUCT SPEC	108-XXXXX		SIZE	CAGE CODE	DRAWING NO	RESTRICTED TO
1-PLC ±0.5		APPLICATION SPEC	-		A3	00779	C=2108611	-
2-PLC ±0.13		WEIGHT	-		SCALE 20:1			SHEET 2 OF 3
3-PLC ±0.013		CUSTOMER DRAWING	-		REV C2			
4-PLC ±0.0001			-					
ANGLES ±			-					
FINISH -			-					

P	LTR	DESCRIPTION	DATE	DWN	APVD
		SEE SHEET 1			

# ① 2108611-6 : FOR EAG63652201

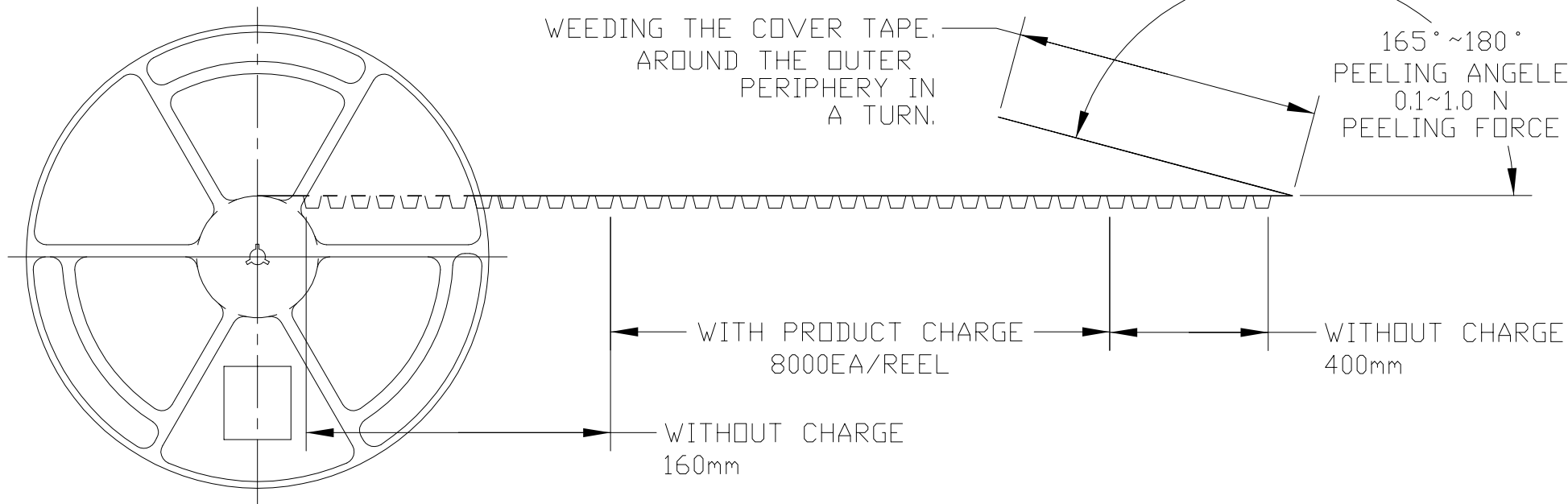
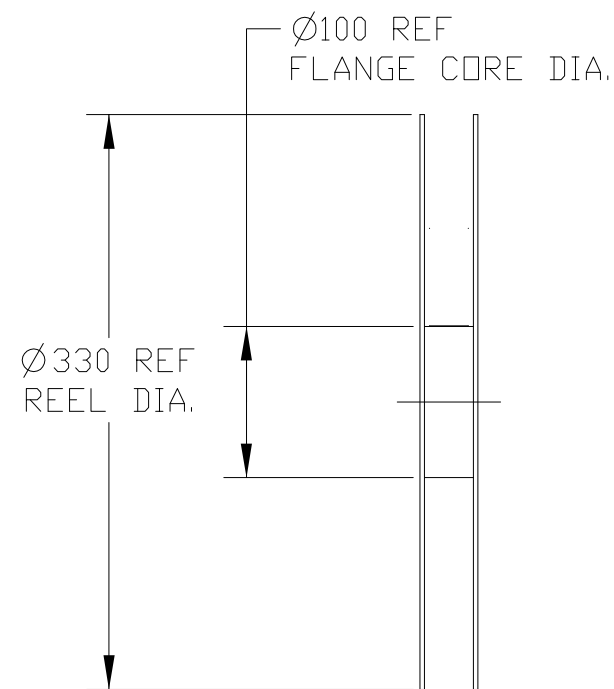


①

EAG63652201-YYYYMMDD-\*\*\*\*\*-HK000120  
 SPEC: ①.7H SPRING FINGER WITH EMBOSS ④  
 Company Name: TE CONNECTIVITY  
 Tyco Part Number :2108611-5

**RoHS H/F**

- 1. LG PART NO.
- 2. FINAL INSPECTION(YYMMDD)
- 3. VENDOR PRODUCTION LOT NO.
- 4. VENDOR CODE



THIS DRAWING IS A CONTROLLED DOCUMENT.		DWN IC KANG 05APR2013	TE Connectivity			
DIMENSIONS: mm		CHK JH KIM 08FEB2013				
TOLERANCES UNLESS OTHERWISE SPECIFIED: ±0.15		APVD JH KIM 08FEB2013	NAME SPRING FINGER 1.7H			
0-PLC ±		PRODUCT SPEC 108-XXXXX	SIZE A3	CAGE CODE 00779	DRAWING NO C=2108611	RESTRICTED TO -
1-PLC ±0.5		APPLICATION SPEC -	SCALE 20:1		SHEET 3 OF 3	REV C2
2-PLC ±0.13		WEIGHT -	CUSTOMER DRAWING			
3-PLC ±0.013						
4-PLC ±0.0001						
ANGLES ±						
FINISH -						