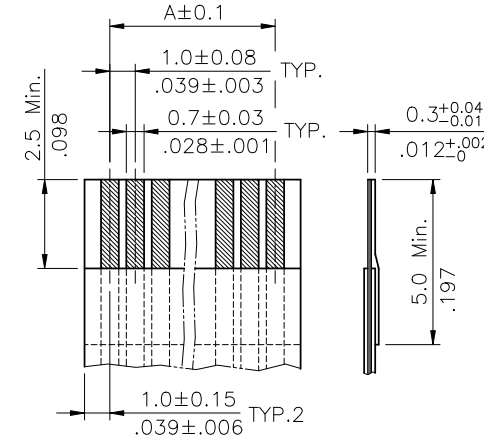
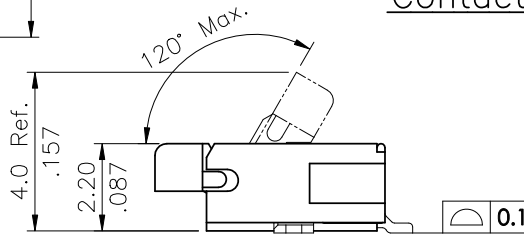
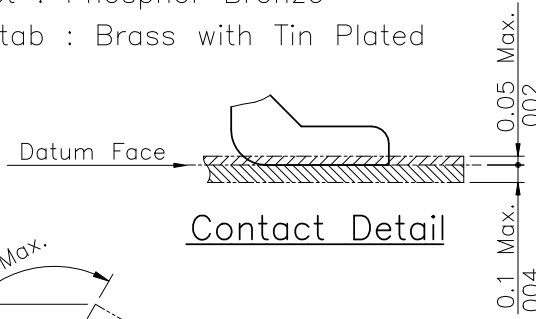


Material :

- * Body : Nylon 6T With 30% GF. UL 94V-0, Color Nature
- * Slider : Nylon 6T With 30% GF. UL 94V-0, Color Black
- * Contact : Phosphor Bronze
- * Fixed tab : Brass with Tin Plated



Accommodated FFC/FPC

Ordering Code

CF25 ** 1 D 0 *0 - 10 -NH
 ① ② ③ ④ ⑤ ⑥ ⑦ ⑧

- ① Series No.
- ② No. of Circuits
- ③ Plating code:
1= Matte Tin plated over Nickel
2= Gold flash over 50u"min. Nickel
- ④ Contact style: D= Downside contact
- ⑤ Color: 0= Nature
- ⑥ Other option: R0= Tape & Reel
T0= Tube Packing
- ⑦ Pitch: 10= 1.00 mm
- ⑧ -NH= For Lead Free IR Processes and Halogen-Free

DIM.A = 1.00 x No. of Spaces
 DIM.B = DIM.A + 5.6
 DIM.C = DIM.A + 2.1

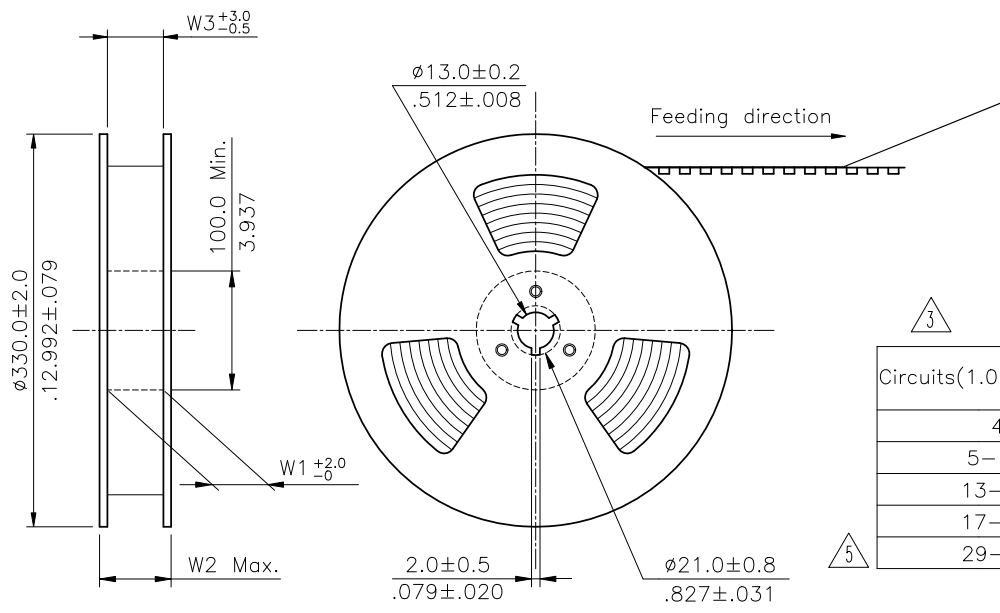
* Available in 4 through 32 circuits

Recommended P.C. Board Layout

Halogen-Free Lead Free Process RoHS compliant



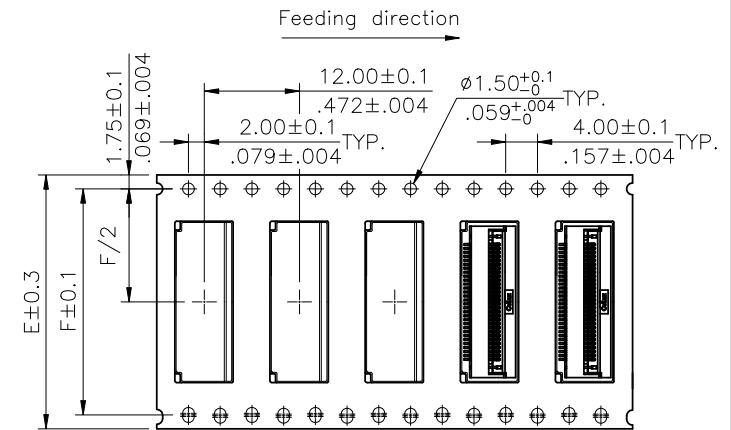
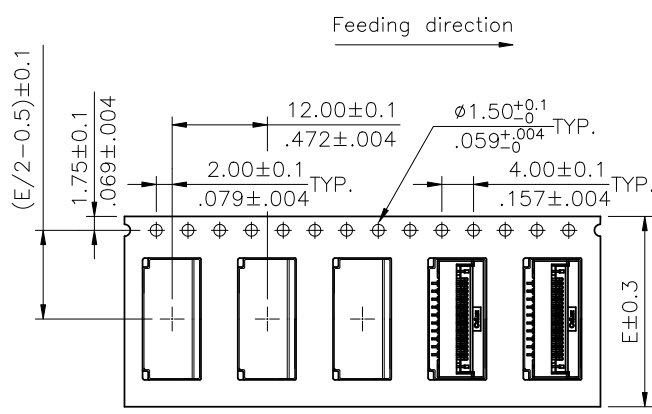
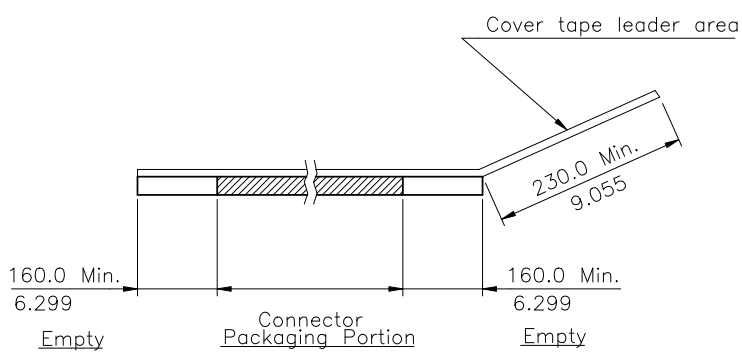
⑤	Karen	2/08-22'		DATE	UNIT: mm / inch	TITLE: 1.00mm(.039") ZIF FFC/FPC ONE-TOUCH CONNECTOR
④	Sandy	3/8-16'	ECNT116028/ECRB116002	DRAWN BY: Karen	2/08-22'	TOLERANCE UNLESS OTHERWISE SPECIFIED
③	Enya	11/06-12'	ECN12272-0/ECR12080-1	ENGINEER:		MATERIAL:
②	Sun	9/24-09'	ECR09103-1/ECN09480	CHECKED BY:		FINISH:
SYM	NAME	DATE	REVISIONS	APPROVED BY:		DRAWING NO. CF2519SF PART NO. CF25***D0*0-10-NH
						SCALE 5 / 1 SHEET 1 OF 2



NOTES:

1. 10 sprocket hole pitch cumulative tolerance ± 0.20
2. Carrier camber is within 1 mm in 250 mm.
3. Material :Transparent Anti-static Polysyrene.
4. All dimensions meet EIA-481 requirements.
5. Thickness : 0.35 ± 0.05 mm.
6. Component load per 13" Reel : 2000 pcs.

Circuits(1.0mm Pitch)	Dimension					Packing (Reel/Carton)
	E	F	W1	W2	W3	
4	16.0(.630)	—	16.5(.650)	22.5(.885)	16.5(.650)	11
5-12	24.0(.945)	—	24.5(.965)	30.5(1.200)	24.5(.965)	9
13-16	32.0(1.260)	28.40(1.118)	32.5(1.280)	38.5(1.516)	32.5(1.280)	7
17-28	44.0(1.732)	40.40(1.596)	44.5(1.752)	50.5(1.988)	44.5(1.752)	5
29-32	56.0(2.204)	52.50(2.067)	56.5(2.224)	62.5(2.460)	56.5(2.224)	4



WIDTH : 32,44,56 mm Carrier

WIDTH : 16,24 mm Carrier

RoHS Compliant

SYM	NAME	DATE	REVISIONS	APPROVED BY:	DATE	UNIT: mm / inch	TITLE: 1.00mm(.039") ZIF FFC/FPC ONE-TOUCH CONNECTOR	MATERIAL:	FINISH:	DRAWING NO.	CF2519SF	PART NO.	CF25**1D0*0-10-NH
5	Karen	2/08-22'											
4	Sandy	3/8-16'	ECNT116028/ECRB116002	DRAWN BY: Karen	2/08-22'								
3	Enya	11/06-12'	ECN12272-0/ECR12080-1	ENGINEER:									
2	Sun	9/24-09'	ECRO9103-1/ECN09480	CHECKED BY:									
						.X ±	X' ± I'						
						.XX ±	.X' ±						
						.XXX ±	.XX' ±						
										SCALE		SHEET 2 OF 2	

