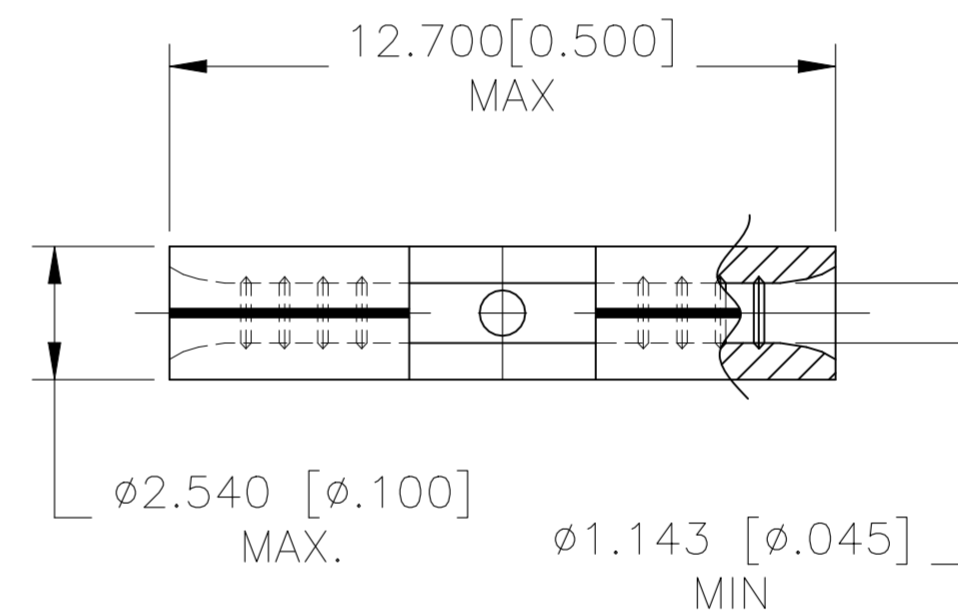
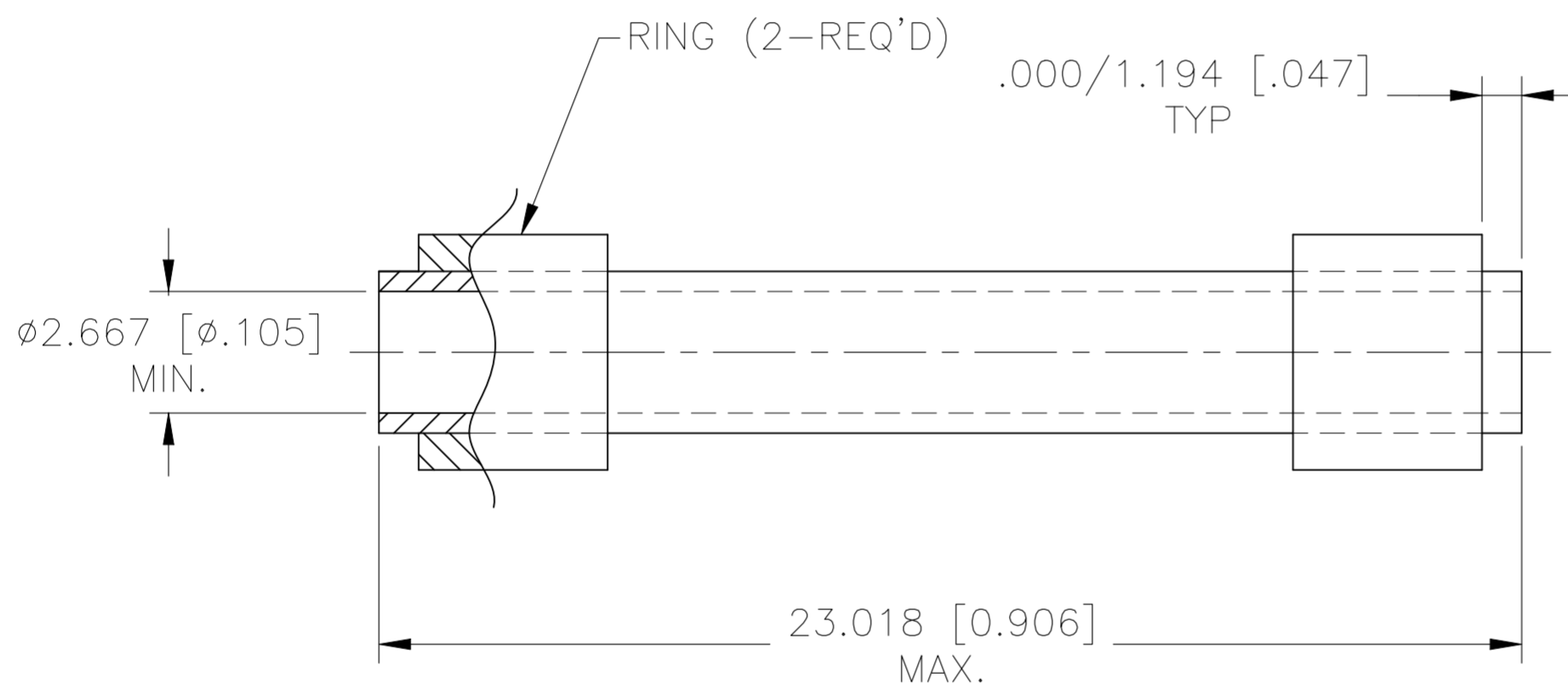
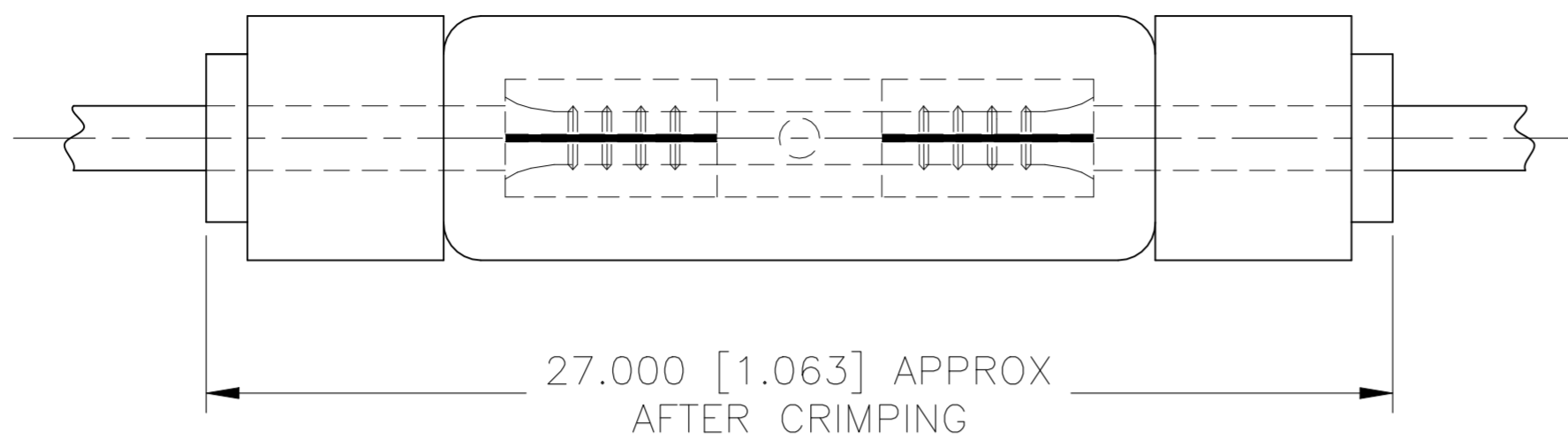


| REVISIONS |     |               |           |     |      |
|-----------|-----|---------------|-----------|-----|------|
| P         | LTR | DESCRIPTION   | DATE      | DWN | APVD |
| B2        |     | ECR-22-138429 | 20MAY2022 | LP  | DSC  |



SLEEVE ASSEMBLY

WIRE CONNECTOR

|      |              |             |
|------|--------------|-------------|
| 1000 | LOOSE PIECE  | 326835      |
| QTY  | PACKAGE TYPE | PART NUMBER |

FOR 2.032[.080] TO 2.540[.100] WIRE INSULATION DIA.

|     |                          |   |
|-----|--------------------------|---|
| 1   | SLEEVE ASS'Y             | INSULATION:<br>MATERIAL: PTFE PER ASTM D4895, FINISH COLOR: NATURAL<br>RING:<br>MATERIAL: COPPER PER ASTM B152<br>FINISH: NICKEL PLATE 0.00508[.00020] - 0.01016[.00040] MIN EXT THK PER SAE-AMS-QQ-N-290 |
| 1   | WIRE CONNECTOR<br>326745 | MATERIAL: COPPER PER ASTM B152, ANNEALED<br>FINISH: SILVER PLATE 0.0127[.0005] MIN EXT THK PER ASTM B700  |
| QTY | DESCRIPTION              | MATERIAL & FINISH   |

|   |  |   |   |                    |
|---|--|---|---|--------------------|
| THIS DRAWING IS A CONTROLLED DOCUMENT.  |  | DWN<br>LINGANATHAN P.<br>22APR2022      | <b>STE</b> TE Connectivity  |                    |
| DIMENSIONS:<br>mm [INCHES]  |  | CHK<br>SUVARNA, CHETHAN D<br>22APR2022  |   |                    |
| TOLERANCES UNLESS OTHERWISE SPECIFIED:  |  | APVD<br>SUVARNA, CHETHAN D<br>22APR2022 | NAME<br>WIRE SPLICE KIT, BUTT, POST INSULATED<br>STRATO-THERM, WIRE SIZE: 22-20 AWG |                    |
| 0 PLC ± -<br>1 PLC ± -<br>2 PLC ± -<br>3 PLC ± 0.127[.005]<br>4 PLC ± -<br>ANGLES ± - |  | PRODUCT SPEC<br>-                       | APPLICATION SPEC<br>-   |                    |
| MATERIAL<br>SEE TABLE   |  | FINISH<br>SEE TABLE                     | SIZE<br>A2  | CAGE CODE<br>00779 |
|   |  | WEIGHT<br>-                             | DRAWING NO<br>C=326835  | RESTRICTED TO<br>- |
| CUSTOMER DRAWING  |  |   | SCALE<br>NTS  | SHEET<br>1 OF 1    |
|   |  |   | REV<br>B2   |                    |