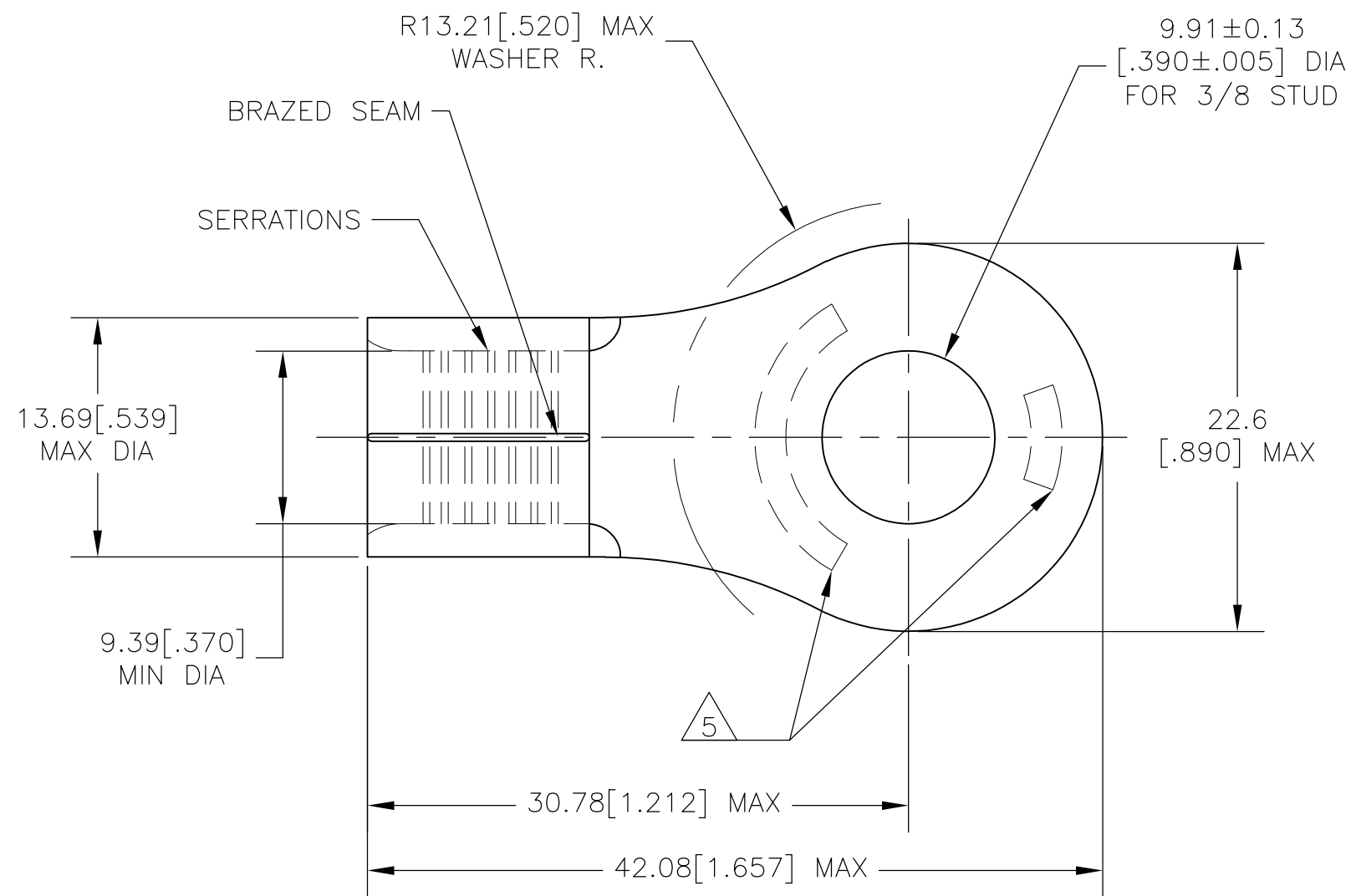


THIS DRAWING IS UNPUBLISHED. RELEASED FOR PUBLICATION  
 © COPYRIGHT - By - ALL RIGHTS RESERVED.

LOC	DIST	REVISIONS			
P	LTR	DESCRIPTION	DATE	DWN	APVD
G	14	E2	REVISED PER ECO-15-006978	06JUN2015	NK MM



	35184
FINISH	PART NO

THIS DRAWING IS A CONTROLLED DOCUMENT.		DWN	jr ruth	29OCT07	TE Connectivity			
DIMENSIONS: mm[INCHES]		CHK	MJ SPICER	29OCT07				
TOLERANCES UNLESS OTHERWISE SPECIFIED:		APVD	MJ SPICER	29OCT07	NAME			
0 PLC ± -		PRODUCT SPEC			TERMINAL, SOLISTRAND, RING TONGUE, WIRE SIZE : #2			
1 PLC ± -		APPLICATION SPEC			SIZE	CAGE CODE	DRAWING NO	RESTRICTED TO
2 PLC ± 0.20 [.008]		WEIGHT			A3	00779	C-35184	-
3 PLC ± -		CUSTOMER DRAWING			SCALE	SHEET	REV	
4 PLC ± -		MATERIAL			3:1	1 of 1	E2	
5 ANGLES ± 5°		FINISH						
COPPER ASTM B152		SEE TABLE						