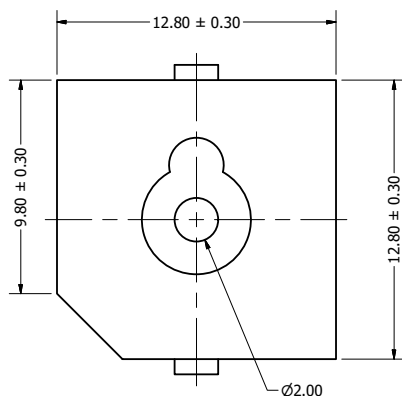
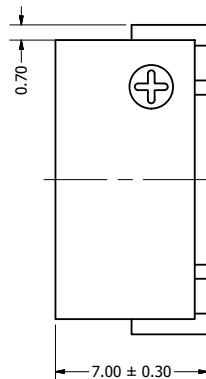


Part Number:	<b>IE122412-1</b>	
DRAWN	CJ	4/28/2016
CHECKED	P.D	5/5/2016
Description:	APPROVED	5/5/2016
	J.S	
This document contains data proprietary to DB Unlimited. Any use or reproduction, in any form, without prior written permission of DB Unlimited is prohibited. All terms and conditions can be found at <a href="http://www.dbunlimitedco.com">www.dbunlimitedco.com</a>		

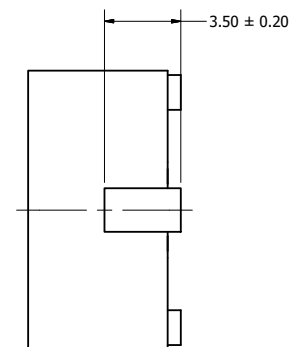
Top View



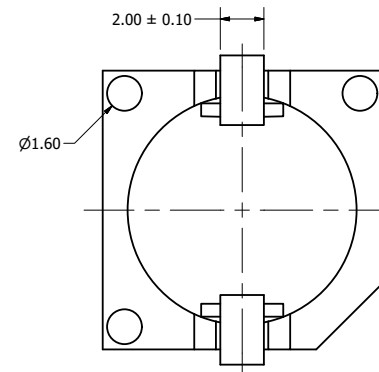
Side View (1)



Side View (2)



Bottom View



Items	Specifications	Conditions
Sound Pressure Level	85	dB (@ 10cm)
Tone	Single	
Resonant Frequency	2,400	Hz
Rated Voltage	12	V
Voltage Range	8 ~ 15	V
Max. Rated Current	30	mA
Storage Temperature	-20 ~ +70	°C
Operating Temperature	-20 ~ +70	°C
Connection Method	Surface Mount Pads	
Mount Type	Surface Mount	
Housing Material	PPS	
Weight	2	g

REVISION HISTORY

REV	DESCRIPTION	DATE	APPROVED
	Released from Engineering	10/21/2013	J.S.
1	Updated to new template	5/5/2016	J.S.

NOTES

- 1) All dimensions are in mm unless otherwise noted
- 2) All tolerances are ± 0.5 mm unless otherwise noted
- 3) All parts meet RoHS
- 4) Subject to change or redrawn without notice