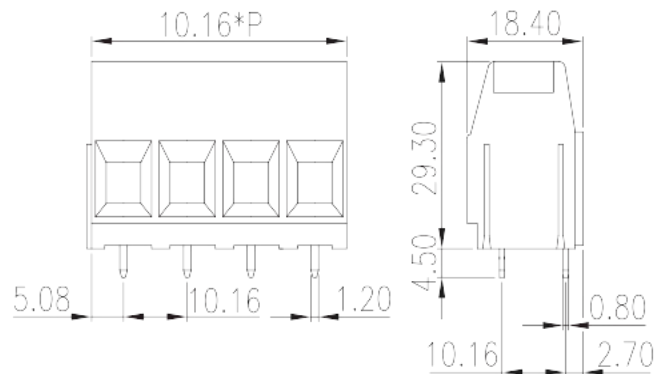


# ESK116V-XXP

PCB Terminal Blocks &gt; PCB Terminal Blocks

Date:2022-06-09Version:1.1



The web catalog is for reference only. Dinkle remains the right of product modification and engineering change of the design. The final product is made according to engineering drawing.

## Product Description

Pitch : 10.16mm, 300/600V, 65/5A

## General information

|  |                                       |
|--|---------------------------------------|
| Short description                      | PCB Terminal Blocks, Screw Connection |
| Category                               | PCB Terminal Blocks                   |
| Pitch (mm)                             | 10.16                                 |
| Color                                  | Green (default)                       |
| Connection method                      | Screw Connection                      |
| Type of locking                        | Without                               |
| Length (mm)                            | $10.16 \times (P-1) + 10.16$          |
| Width (mm)                             | 18.4                                  |
| Height (mm)                            | 29.3                                  |
| Pin demensions (Thickness x Width)(mm) | 0.8x1.2                               |
| PCB hole diameter (mm)                 | 1.6                                   |
| Number of positions                    | 02P~16P                               |
| Level                                  | Single level                          |

## Material information

|                     |    |
|---------------------|----|
| Insulation material | PA |
|---------------------|----|

|  |                   |
|--|-------------------|
| Insulation material group                    | I                 |
| Flame retardant rating , compliant with UL94 | V0                |
| Insulation resistance                        | □500MΩ at DC 500V |
| Conductor material                           | COPPER ALLOY      |
| Plating of conductor surface                 | Tin PLATED        |

## Connection data-IEC

|  |         |
|--|---------|
| Rated voltage (V)  | 1000    |
| Rated current (A)  | 76      |
| Rated voltage (II/2)(V)  | 1000    |
| Rated voltage (III/2) (V)  | 1000    |
| Rated voltage (III/3)(V)   | 800     |
| Rated impulse voltage (II/2)(KV)   | 8       |
| Rated impulse voltage (III/2)(KV)  | 8       |
| Rated impulse voltage (III/3)(KV)  | 8       |
| Conductor cross section solid. min (mm <sup>2</sup> )  | 0.5     |
| Conductor cross section solid.max (mm <sup>2</sup> )   | 16      |
| Conductor cross section stranded. min (mm <sup>2</sup> )                                     | 0.5     |
| Conductor cross section stranded. max (mm <sup>2</sup> )                                     | 16      |
| Conductor cross section flexible, with min ferrule without plastic sleeve (mm <sup>2</sup> ) | 0.25    |
| Conductor cross section flexible, with max ferrule without plastic sleeve (mm <sup>2</sup> ) | 10      |
| Conductor cross section flexible, with min ferrule with plastic sleeve (mm <sup>2</sup> )    | 0.25    |
| Conductor cross section flexible, with max ferrule with plastic sleeve (mm <sup>2</sup> )    | 10      |
| 2 conductors with same cross section, solid, min (mm <sup>2</sup> )                          | 0.5     |
| 2 conductors with same cross section, solid, max (mm <sup>2</sup> )                          | 4       |
| 2 conductors with same cross section, stranded, min (mm <sup>2</sup> )                       | 0.5     |
| 2 conductors with same cross section, stranded, max (mm <sup>2</sup> )                       | 4       |
| Screw thread   | M4      |
| Slotted screwdriver size (Blade thickness x Width)(mm)                                       | 0.8x4.0 |
| Recommend tightening torque. min (N.m)   | 1.2     |
| Recommend tightening torque. max (N.m)   | 1.5     |

|                       |       |
|-----------------------|-------|
| Stripping Length (mm) | 10~11 |
|-----------------------|-------|

## Connection data-UL

|  |     |
|--|-----|
| Rated voltage (UL/CUL Group B)(V)                | 300 |
| Rated current (UL/CUL Group B)(A)                | 65  |
| Rated voltage (UL/CUL Group C)(V)                | 300 |
| Rated current (UL/CUL Group C)(A)                | 65  |
| Rated voltage (UL/CUL Group D)(V)                | 600 |
| Rated current (UL/CUL Group D)(A)                | 5   |
| Min. solid wire connection (AWG) acc. to UL/CUL  | 6   |
| Max. solid wire connection AWG acc. to UL/CUL    | 20  |
| Min. stranded wire connection AWG acc. to UL/CUL | 6   |
| Max. stranded wire connection AWG acc. to UL/CUL | 20  |

## Environment & Safety

|                                 |     |
|---------------------------------|-----|
| Finger protection (YES or NO)   | YES |
| Operating temperature. max (°C) | 120 |
| Operating temperature. min (°C) | -40 |

## UL Recognized

|                            |      |
|----------------------------|------|
| Wire Range (Group B)(AWG)  | 20~6 |
| Rated voltage (Group B)(V) | 300  |
| Rated current (Group B)(A) | 65   |
| Wire Range (Group C)(AWG)  | 20~6 |
| Rated voltage (Group C)(V) | 300  |
| Rated current (Group C)(A) | 65   |
| Wire Range (Group D)(AWG)  | 20~6 |
| Rated voltage (Group D)(V) | 600  |
| Rated current (Group D)(A) | 5    |

## CUL Recognized

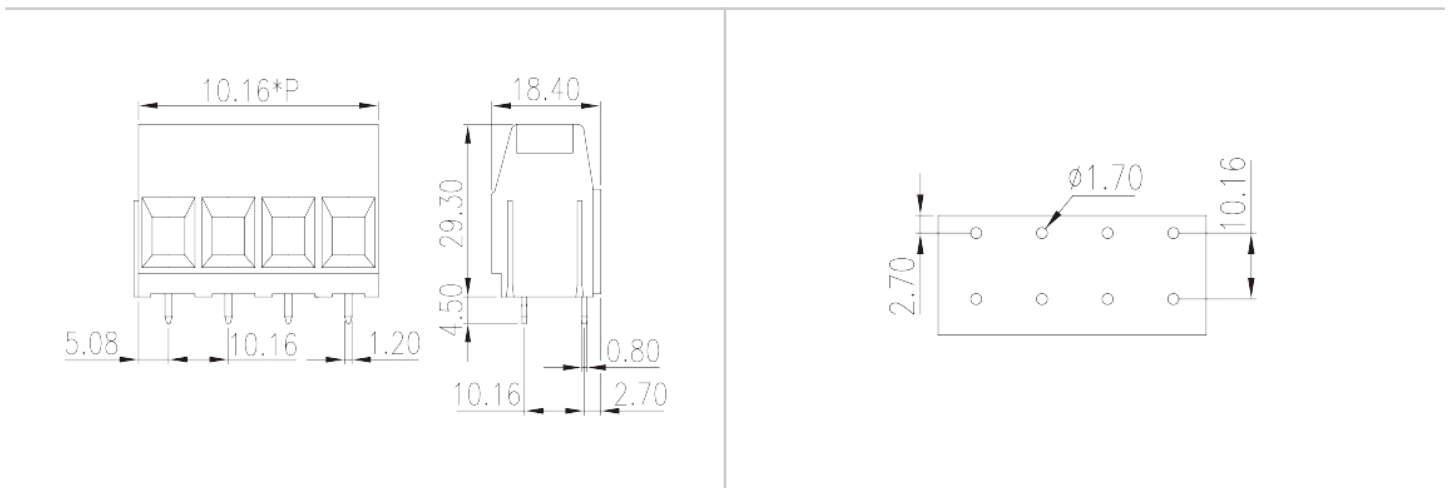
|                            |      |
|----------------------------|------|
| Wire Range (Group B)(AWG)  | 20~6 |
| Rated voltage (Group B)(V) | 300  |
| Rated current (Group B)(A) | 65   |
| Wire Range (Group C)(AWG)  | 20~6 |

|                            |      |
|----------------------------|------|
| Rated voltage (Group C)(V) | 300  |
| Rated current (Group C)(A) | 65   |
| Wire Ranget (Group D)(AWG) | 20~6 |
| Rated voltage (Group D)(V) | 600  |
| Rated current (Group D)(A) | 5    |

### VDE Approval

|                               |        |
|-------------------------------|--------|
| Wire Range (mm <sup>2</sup> ) | 0.5~16 |
| Rated voltage (V)             | 1000   |
| Rated current (A)             | 76     |

### Drawings



### Approvals

