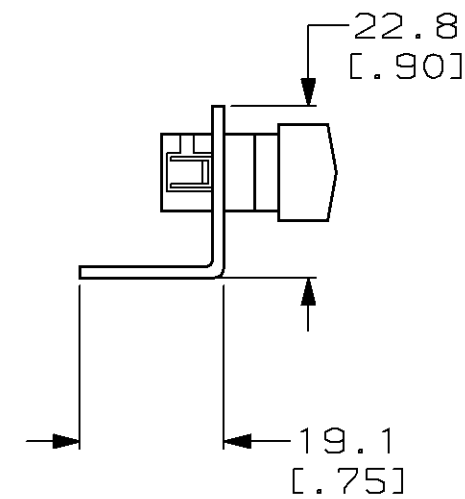
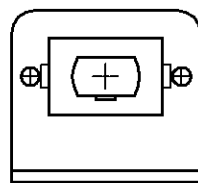
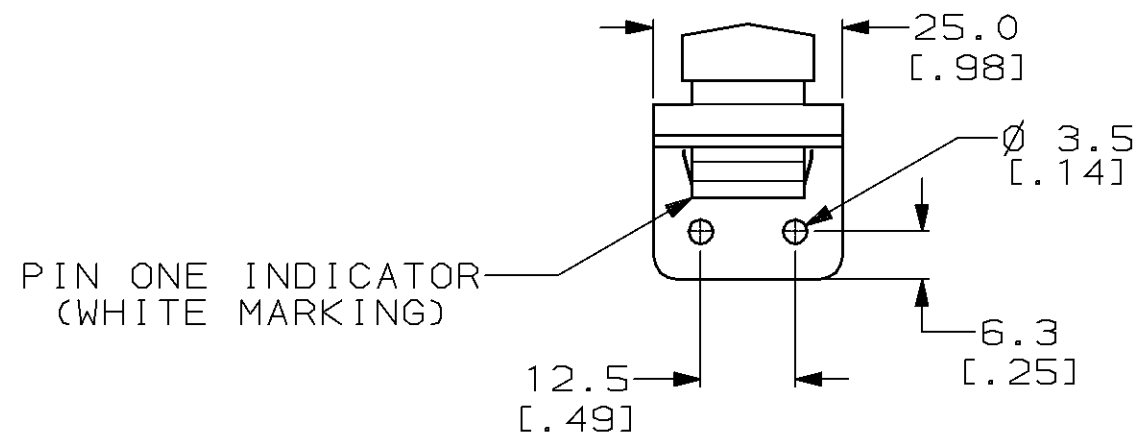


THIS DRAWING IS UNPUBLISHED. RELEASED FOR PUBLICATION ,19 .  
 © COPYRIGHT 19 BY AMP INCORPORATED. ALL RIGHTS RESERVED.

LOC	DIST	REVISIONS			
P	LTR	DESCRIPTION	DATE	DWN	APVD
		REL PER NPR 96-075	4-3-96	JS	FA
-	-		-	-	-



504954-1  
PART NO.

THIS DRAWING IS A CONTROLLED DOCUMENT FOR AMP INCORPORATED. IT IS SUBJECT TO CHANGE AND THE CONTROLLING ENGINEERING ORGANIZATION SHOULD BE CONTACTED FOR THE LATEST REVISION.		DWN J. SABO 4-3-96	AMP Incorporated Harrisburg, PA 17105-3608
DIMENSIONS: mm		CHK D. HARPER 4-3-96	
		APVD F. ABENDSCHEIN 4-3-96	
TOLERANCES UNLESS OTHERWISE SPECIFIED:		NAME	
0 PLC ±- 1 PLC ±- 2 PLC ±0.5 [.02] 3 PLC ±0.25 [.010] 4 PLC ±- ANGLES ±-		PRODUCT SPEC	MOUNTING BRACKET, 1-LIGHTRAY RECEPTACLE
MATERIAL		APPLICATION SPEC	SIZE
FINISH		WEIGHT	CAGE CODE
-		CUSTOMER DRAWING	DRAWING NO
			A3 00779 C-504954
			SCALE 1:1 SHEET 1 OF 1 REV 0