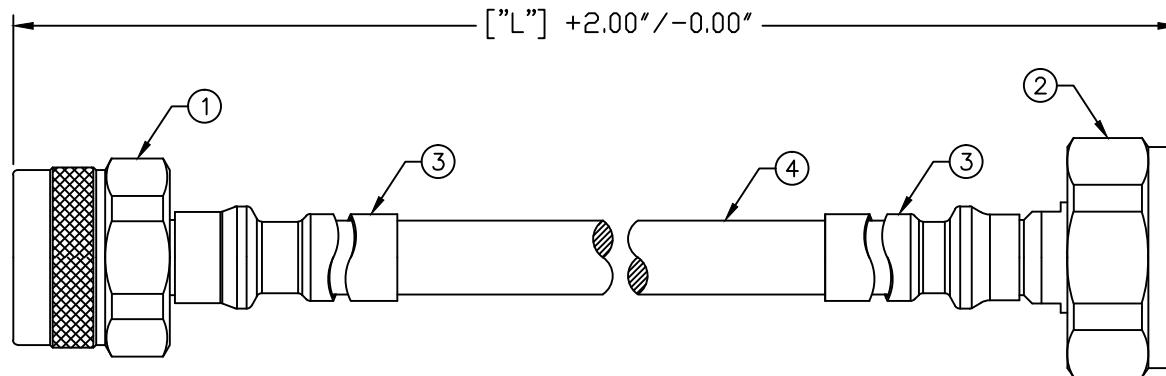


PART NO.

P2RFC-2075-XX

REV	DESCRIPTION	DWN	DATE	APPROVED
-	ENGINEERING RELEASE	CZS	11/11/16	JDMc



P2RFC-0000-XX

└─── [\"L\"] LENGTH IN INCHES
└─── CONFIGURATION ID
└─── CABLE ASSEMBLY DESIGNATOR

SPECIFICATIONS:

IMPEDANCE: 50 Ohms
FREQUENCY RANGE: 0-6 GHz
3RD ORDER IM: ≤ -155 dBc @ 700MHz & 1900MHz
3RD ORDER IM TEST METHOD: TWO+43dBm CARRIERS
VSWR: $\leq 1.15:1$ THRU 3GHz
FOR:SPP-250-LLPL, SPO-250 & FSJ1-50A

NOTE: BOTH CONNECTORS WILL HAVE PROTECTIVE CAPS ON

4	COAX CABLE	1	1/4\" SUPER FLEXIBLE	---
3	TUBING	2	HEAT SHRINK	---
2	RFD-4195-HPL	1	4.1/9.5 MINI DIN MALE	WHITE BRONZE
1	RFN-1002-HPL	1	N MALE CONNECTOR	WHITE BRONZE
#	PART NUMBER	QTY	DESCRIPTION	FINISH

CUSTOMER
OUTLINE DRAWING
ALL DIMENSIONS
ARE REFERENCE ONLY
UNLESS OTHERWISE SPECIFIED:
DIMENSIONS ARE IN INCHES
AND [MILLIMETERS]

DRAWN
C. ZUNIGA 11/11/16
CHECKED
ORJ DRAWN
C. ZUNIGA 11/11/16

PROPRIETARY AND CONFIDENTIAL

THIS DRAWING CONTAINS
INFORMATION PROPRIETARY TO
RF INDUSTRIES. ANY
UNAUTHORIZED USE OF THIS
DRAWING IS EXPRESSLY
PROHIBITED WITHOUT WRITTEN
PERMISSION FROM RF
INDUSTRIES. ANY VIOLATION IS
PUNISHABLE UNDER U.S.
COPYRIGHT LAWS.

RFconnectors
DIVISION OF RF INDUSTRIES, LTD.

7610 MIRAMAR RD.
SAN DIEGO, CA 92126
(858) 549-6340
(858) 549-6345 FAX

**N MALE TO
4.1/9.5 MINI DIN MALE**

SIZE A	CABLE GROUP HPL	DWG NO. P2RFC-2075-XX	REV ---
SCALE: NTS	ENGINEERING ID: 000000	SHEET 1 OF 1	