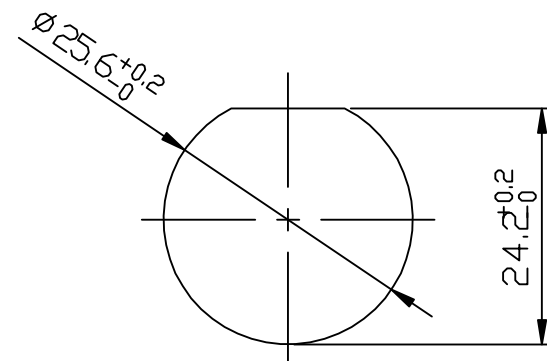
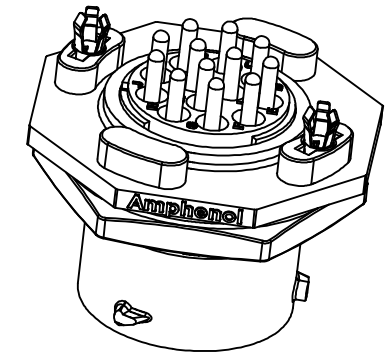
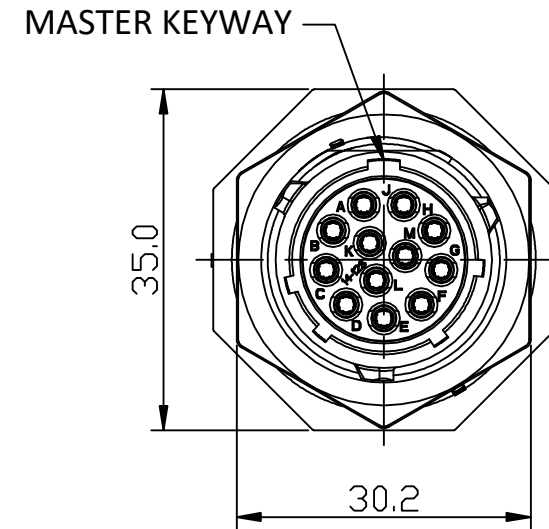
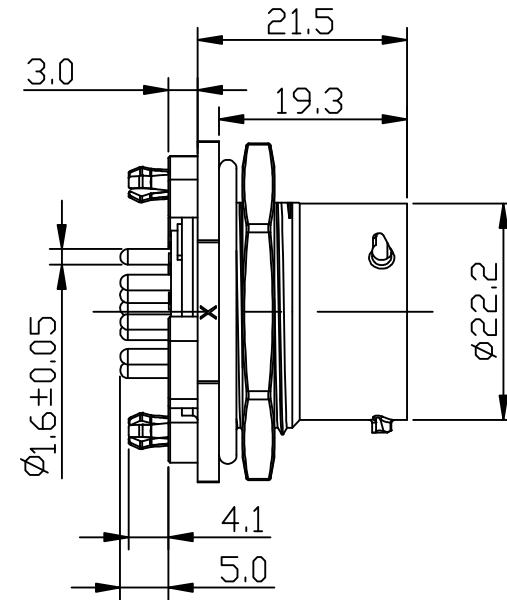
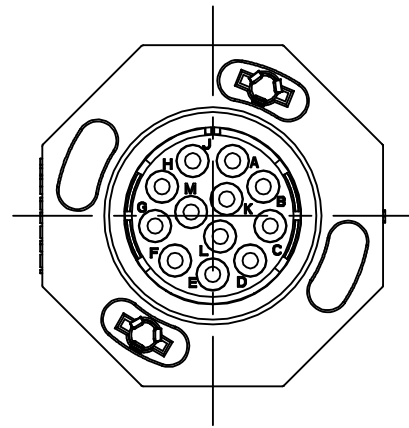
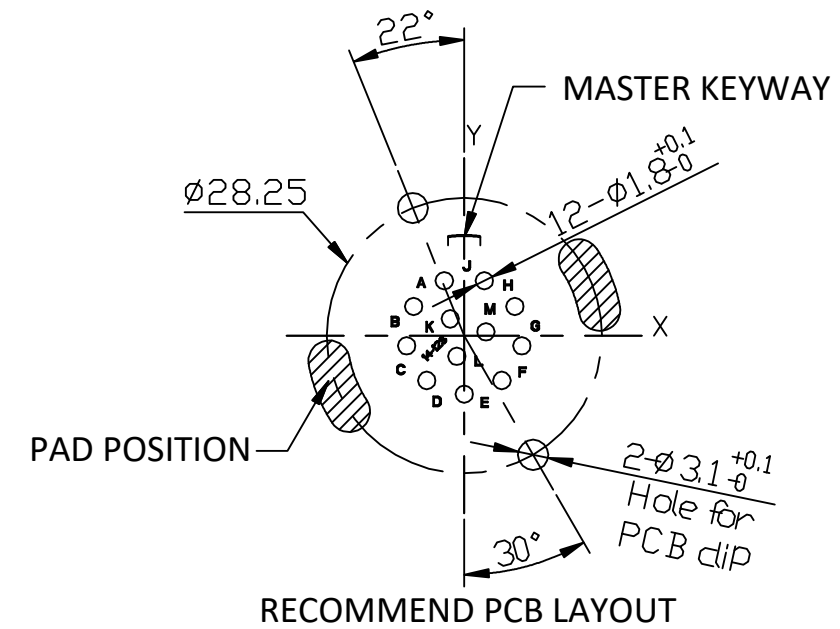


REVISIONS					
REV	ECD	DESCRIPTION	DATE	BY	APPR
A1	-	FIRST RELEASED	Jul-31-2019	Ronald	Tommy



RECOMMEND MOUNTING HOLE



RECOMMEND PCB LAYOUT

Position number	X	Y
A	-2.052	5.638
B	-5.196	3.000
C	-5.909	-1.042
D	-3.857	-4.596
E	0.000	-6.000
F	3.857	-4.596
G	5.909	-1.042
H	5.196	3.000
J	2.052	5.638
K	-1.446	1.724
L	-0.769	-2.114
M	2.215	0.391

NOTES: (UNLESS OTHERWISE SPECIFIED)

1. MATERIAL:

- SHELL: THERMOPLASTIC, UL94 V-0.
- INSERT: THERMOPLASTIC, UL94 V-0.
- O-RING: SILICONE RUBBER.
- SEAL GASKET: SILICONE RUBBER.
- JAM NUT: ALUMINIUM ALLOY, BLACK ANODIZING.
- CONTACT: COPPER ALLOY, GOLD PLATED.
- LOCKING POSTS: COPPER ALLOY, TIN PLATED.

2. SPECIFICATIONS:

- 2.1 RATED CURRENT: 13A (MAX).
- 2.2, RATED VOLTAGE: 500V (AC/DC).
- 2.3, OPERATING TEMPERATURE: -40C - 125C.
- 2.4 DIELECTRIC WITHSTANDING VOLTAGE: LESS THAN 2 MILLIAMPS CURRENT LEAKAGE@2000 VOLTS AC.
- 2.5 INSULATION RESISTANCE: 5000 MEGOHMS MIN.
- 2.6 IP--CLASS: IP67 AND IP69K IN THE MATED CONDITION.
- 2.7 MATING CYCLES DURABILITY: 500 CYCLES MIN.
- 2.8 RoHS COMPLIANT.

3. SUITABLE CONTACTS: 16# CONTACT

4. ALL DIMENSIONS ARE FOR REFERENCE USE ONLY.

KEY	PART NUMBER
N	RTS714ND12S0332
W	RTS714WD12S0332
X	RTS714XD12S0332
Y	RTS714YD12S0332
Z	RTS714ZD12S0332

QUANTITY	PART NUMBER	DESCRIPTION	ITEM
MATERIALS LIST			
UNLESS OTHERWISE SPECIFIED		Amphenol	
1) All dimensions are in metric (mm).			
2) Tolerances are as follows:		Sine Systems - www.amphenol-sine.com 44724 Morley Drive Clinton Township, MI 48036	
1 PL DEC ±0.30 2 PL DEC ±0.15 3 PL DEC ±0.08			
3) Note reference =		ECOMATE® AQUARIUS™, RECEPTACLE, JAM NUT, 12POS, SOCKET CONTACT, DIPSOLDER, SIZE 14	
SIGNATURES DATE			
DRAWN: Ronald Jul-31-2019		SIZE TYPE DWG NO. REVISION B C- RTS714*D12S0332 A1	
CHECKED: Martin Jul-31-2019			
ENGINEER:		SCALE: NONE SHEET 1 OF 1	
APPROVAL: Tommy Jul-31-2019			
MATERIAL SPECIFICATIONS:		THIS DRAWING IS SUPPLIED FOR INFORMATION ONLY. DESIGN FEATURES, SPECIFICATIONS AND PERFORMANCE DATA SHOWN HEREON ARE THE PROPERTY OF THE AMPHENOL CORPORATION. NO RIGHTS OF REPRODUCTION ARE IMPLIED. ALL DIMENSIONS ARE SUBJECT TO NORMAL MANUFACTURING VARIATIONS.	
PROCESS SPECIFICATIONS:			
NEXT ASS'Y:			

TITLE: ECOMATE® AQUARIUS™, RECEPTACLE, JAM NUT, 12POS, SOCKET CONTACT, DIPSOLDER, SIZE 14
 DWG NO: RTS714*D12S0332
 REV: A1
 SH: 1
 DF: 1