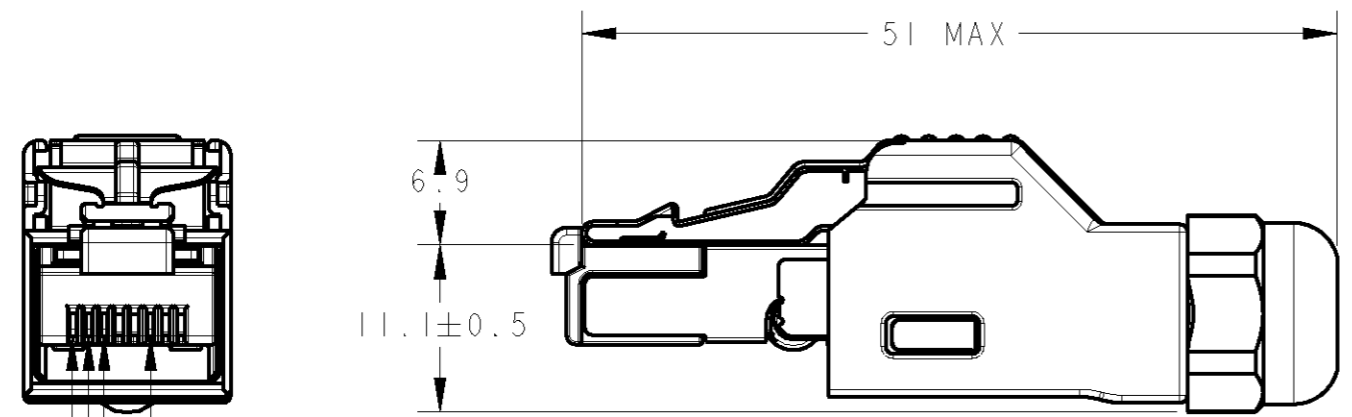


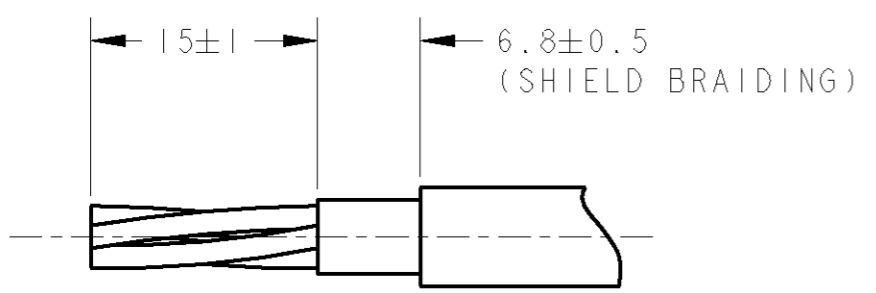
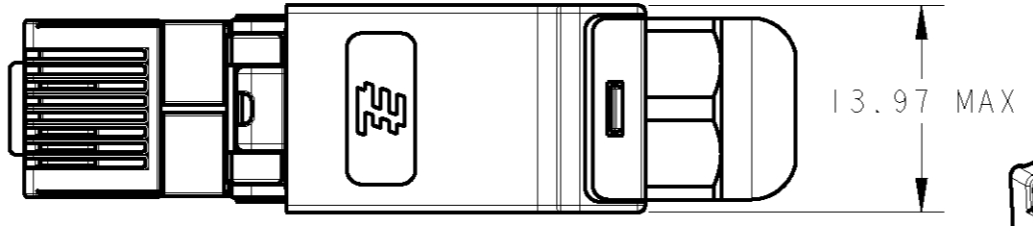
THIS DRAWING IS UNPUBLISHED. RELEASED FOR PUBLICATION 20
 © COPYRIGHT 20 BY TYCO ELECTRONICS CORPORATION. ALL RIGHTS RESERVED.

LOC	DIST	REVISIONS					
J	-	P	LTR	DESCRIPTION	DATE	DWN	APVD
		A		RELEASED	18AUG2006	J. A	D. M
		B		REVISED	05DEC2008	T. S	A. O

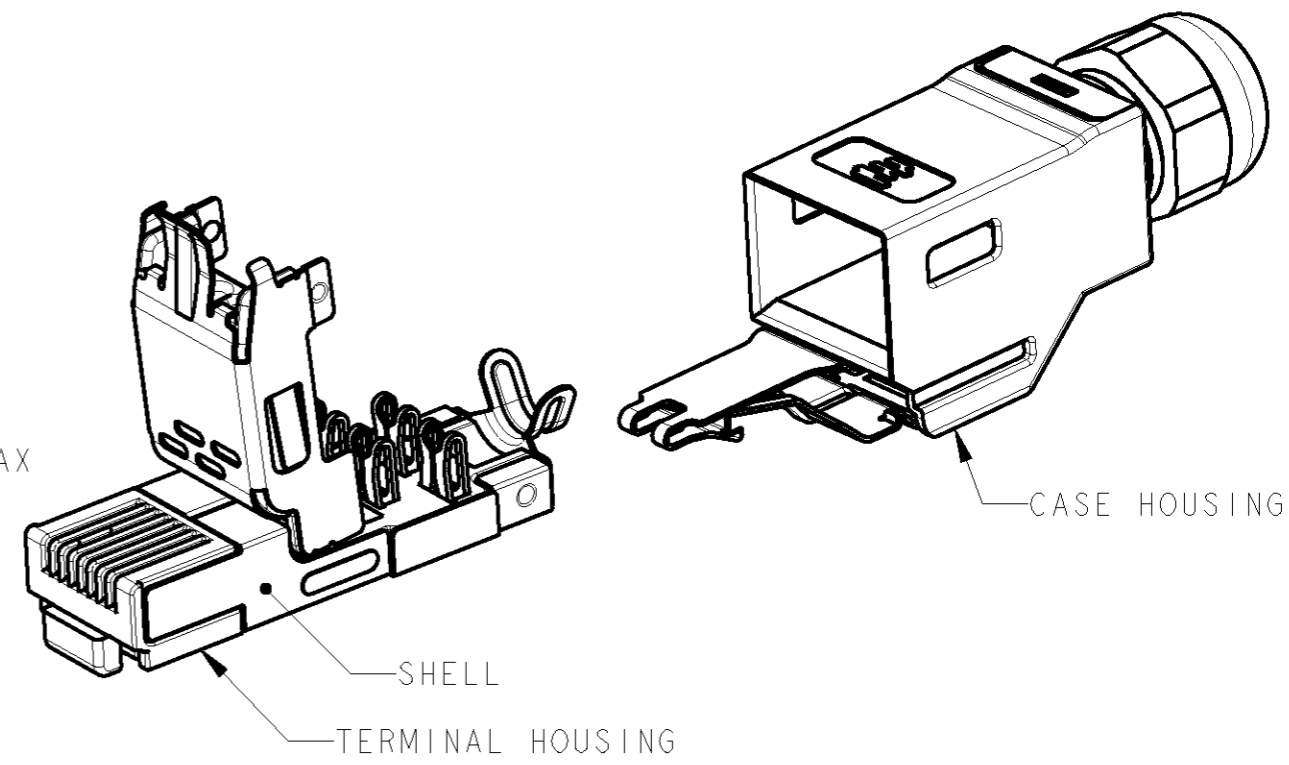
- 1 : AS SHOWN



CONTACT 6
 CONTACT 3
 CONTACT 2
 CONTACT 1



RECOMMENDED STRIPPING LENGTH



1. MATERIAL : CASE HOUSING-POLYCARBONATE.
 TERMINAL HOUSING-NYLON.
 CONTACT-COPPER ALLOY.
 SHELL-COPPER ALLOY.
 2. FINISH : CONTACT-UNDERPLATE: Ni
 CONTACT AREA: Au
 SHELL: Ni

COLOR ALLOCATION OF TERMINAL WIRE TO RJ45 CONTACT

CONTACT NO.	WIRE COLOR
1	YELLOW
2	ORANGE
3	WHITE
6	BLUE

<small>THIS DRAWING IS A CONTROLLED DOCUMENT FOR TYCO ELECTRONICS CORPORATION IT IS SUBJECT TO CHANGE AND THE CONTROLLING ENGINEERING ORGANIZATION SHOULD BE CONTACTED FOR THE LATEST REVISION.</small>	
DIMENSIONS: 单位: 毫米 mm	TOLERANCES UNLESS OTHERWISE SPECIFIED: 一般公差 ± 0.3 0-PLC ± 1-PLC ± 2-PLC ± 3-PLC ± 4-PLC ± ANGLES ± 3
	MATERIAL 材料 -
FINISH 仕上 -	WEIGHT - CUSTOMER DRAWING

DWN	J. AKASAKA	29NOV2005
CHK	D. MITSUGI	1DEC2005
APVD	D. MITSUGI	1DEC2005
PRODUCT SPEC	108-78381	
APPLICATION SPEC	114-5402	

WIRE RANGE 抱合電線断面積	-	INSULATION DIA 被覆外径	∅ 6.5
		Tyco Electronics AMP K.K. Kawasaki, Japan	
NAME 名称 RJ 45 CONNECTOR INDUSTRIAL ETHERNET IP20 4POS 180DEG			
SIZE	A3	CAGE CODE	-
DRAWING NO	C=1903526		RESTRICTED TO
SCALE	2.1	SHEET	OF 1
REV	B		