

Customer Information Sheet

DRAWING No.: M80-793XXXX

SHEET 2 OF 2

IF IN DOUBT - ASK

©

NOT TO SCALE

THIRD ANGLE PROJECTION

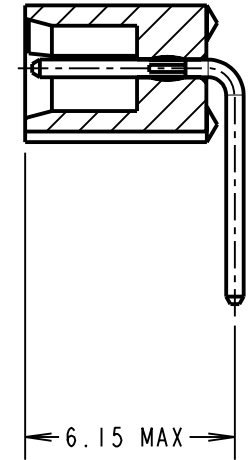
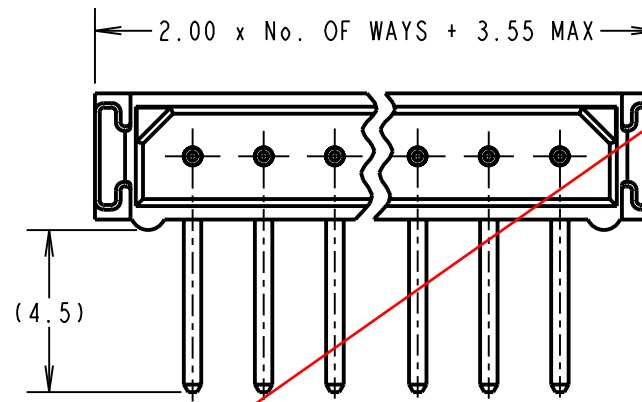
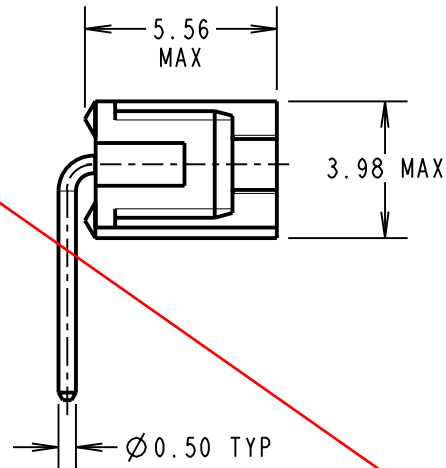
ALL DIMENSIONS IN mm

ORDER CODE:
M80-793XXXX

TOTAL No. OF WAYS
02-07, 17, 22

FINISH

- 22 - GOLD ON CONTACT AREA
TIN/LEAD ON TAILS
- 42 - GOLD ON CONTACT AREA
100% TIN ON TAILS
- 45 - ALL OVER GOLD



NOTES:
1. 2-OFF STRAIN RELIEF STRAP
M80-0030006 ARE INCLUDED
WITH EACH CONNECTOR.

SPECIFICATIONS:

MATERIAL:
MOULDING = GLASS-FILLED POLYAMIDE 46 UL94V-0, BLACK
CONTACTS = PHOSPHOR BRONZE

FINISH:

CONTACTS:
22 = 0.75µ GOLD ON CONTACT AREA, 3.0µ TIN/LEAD ON TAILS
42 = 0.75µ GOLD ON CONTACT AREA, 3.0µ 100% TIN ON TAILS
45 = 0.75µ ALL OVER GOLD

ELECTRICAL:

CURRENT RATING AT 25°C = 3.0A MAX
CURRENT RATING AT 85°C = 2.2A MAX
WORKING VOLTAGE = 120V AC/DC
VOLTAGE PROOF = 360V AC/DC
CONTACT RESISTANCE (INITIAL) = 20 mΩ MAX
CONTACT RESISTANCE (AFTER CONDITIONING) = 25 mΩ MAX
INSULATION RESISTANCE (INITIAL) = 1,000 MΩ MIN
INSULATION RESISTANCE (AFTER CONDITIONING) = 100 MΩ MIN

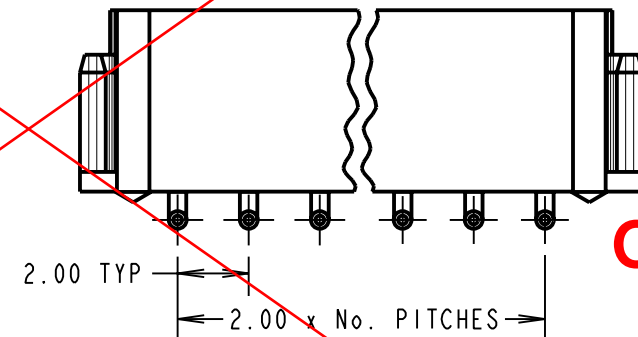
MECHANICAL:

DURABILITY = 500 OPERATIONS

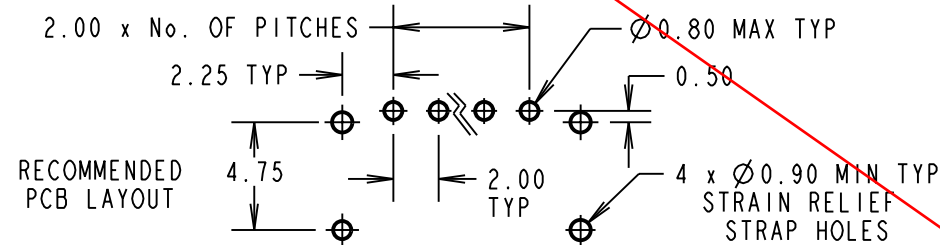
ENVIRONMENTAL:
TEMPERATURE RANGE = -55°C TO +125°C

PACKING: TUBE

FOR COMPLETE SPECIFICATION, SEE COMPONENT
SPECIFICATION C005XX (LATEST ISSUE)



OBSOLETE



CP	4	28.09.09	10303
NAME	ISS.	DATE	C/NOTE
APPROVED: C.PENROSE			
CHECKED: R.ADDE			
DRAWN: JM BROOKES			
CUSTOMER REF.:			
ASSEMBLY DRG:			

HARWIN

HARWIN USA TEL: 603 893 5376 FAX: 603 893 5396 mis@harwin.com	HARWIN Europe (UK) TEL: 023 9231 4545 FAX: 023 9231 4590 mis@harwin.co.uk	HARWIN Asia TEL: +65 6 779 4909 FAX: +65 6 779 3868 mis@harwin.com.sg
--	--	--

THIS DRAWING AND ANY INFORMATION OR DESCRIPTIVE MATTER SET OUT HEREON ARE CONFIDENTIAL AND COPYRIGHT PROPERTY OF THE HARWIN GROUP AND MUST NOT BE DISCLOSED, LOANED, COPIED OR USED FOR MANUFACTURING, TENDERING OR FOR ANY OTHER PURPOSE WITHOUT THEIR WRITTEN PERMISSION.

TOLERANCES

X. = ±1mm
X.X = ±0.25mm
X.XX = ±0.10mm
X.XXX = ±0.01mm

ANGLES = ±5°

UNLESS STATED

MATERIAL:
SEE ABOVE

FINISH:

S/AREA: mm²

TITLE: DATAMATE SIL
HORIZONTAL MALE PC TAIL
ASSEMBLY - UNLATCHED

DRAWING NUMBER:
M80-793XXXX

SHT
2 OF 2