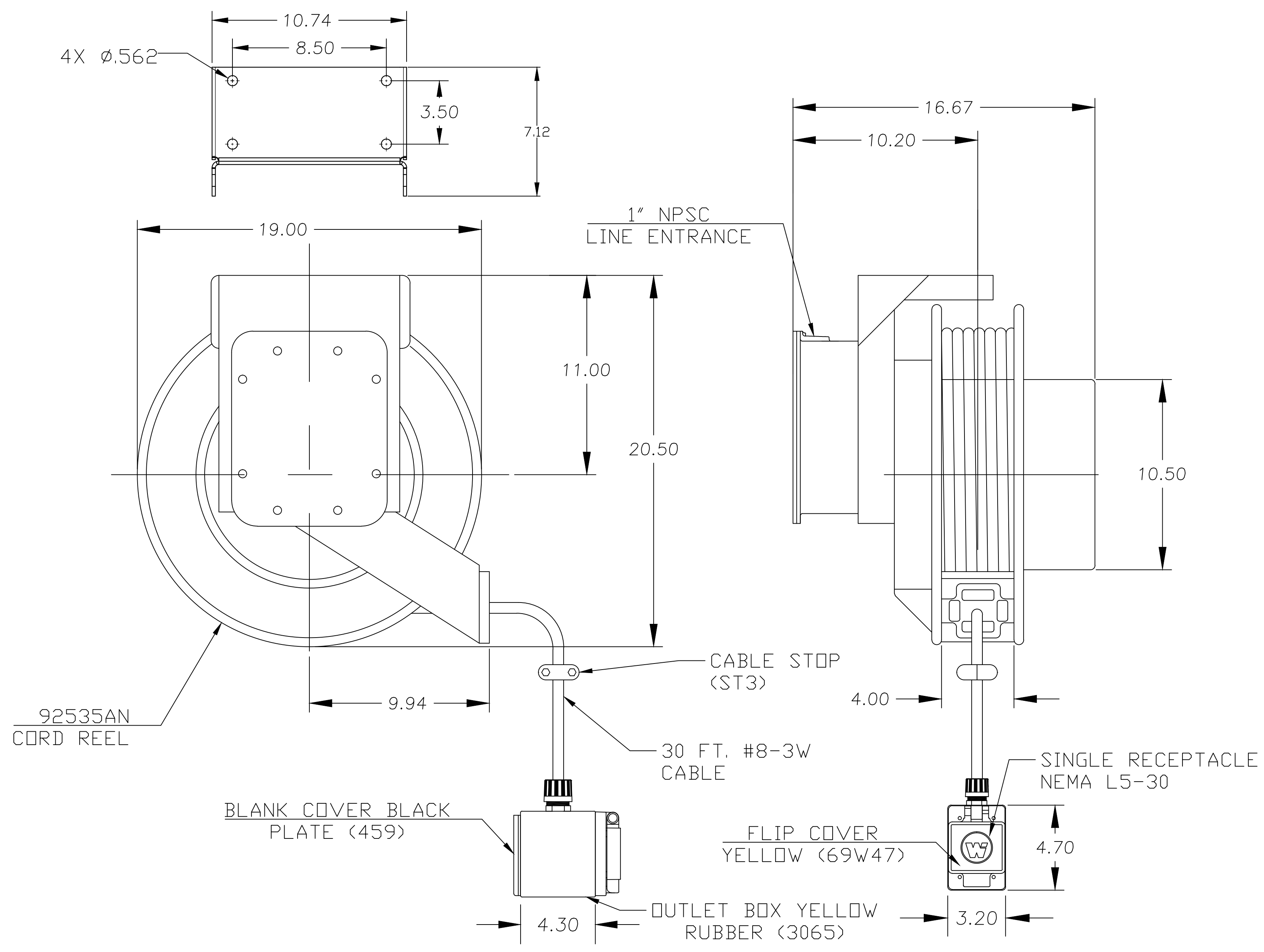


13 12 11 10 9 8 7 6 5 4 3 2 1

J
I
H
G
F
E
D
C
B
A



| | | | | |
|--|---|--|--|---|
| RELEASE CUSTOMER DRAWING EC NO.: ICG2017-0742 DRWN: BPATTERS 2017/02/02 CHKD: HKNEELAN 2012/11/02 APPR: HKNEELAN 2017/02/20 REV A | QUALITY SYMBOL ▽=0 ◻=0 | GENERAL TOLERANCES (UNLESS SPECIFIED) mm INCH 4 PLACES ±--- ±--- 3 PLACES ±--- ±.005 2 PLACES ±--- ±.010 1 PLACE ±--- ±.020 ANGULAR ±.5° DRAFT WHERE APPLICABLE MUST REMAIN WITHIN DIMENSIONS | DIMENSION STYLE INCH DRAWN BY: HKNEELAN DATE: 2012/10/12 CHECKED BY: KAHMED DATE: ---- APPROVED BY: HKNEELAN DATE: 2017/02/20 MATERIAL NO.: 1300840390 | SCALE: NTS DESIGN UNITS: INCH THIRD ANGLE PROJECTION TITLE: CABLE REEL 1051 SERIES 30' #8-3 CABLE, 3065 BOX, NEMA L5-30 SINGLE MOLEX INCORPORATED DOCUMENT NO.: SD-1300840390 SHEET NO.: 1 OF 1 |
| | THIS DRAWING CONTAINS INFORMATION THAT IS PROPRIETARY TO MOLEX INCORPORATED AND SHOULD NOT BE USED WITHOUT WRITTEN PERMISSION | | | |