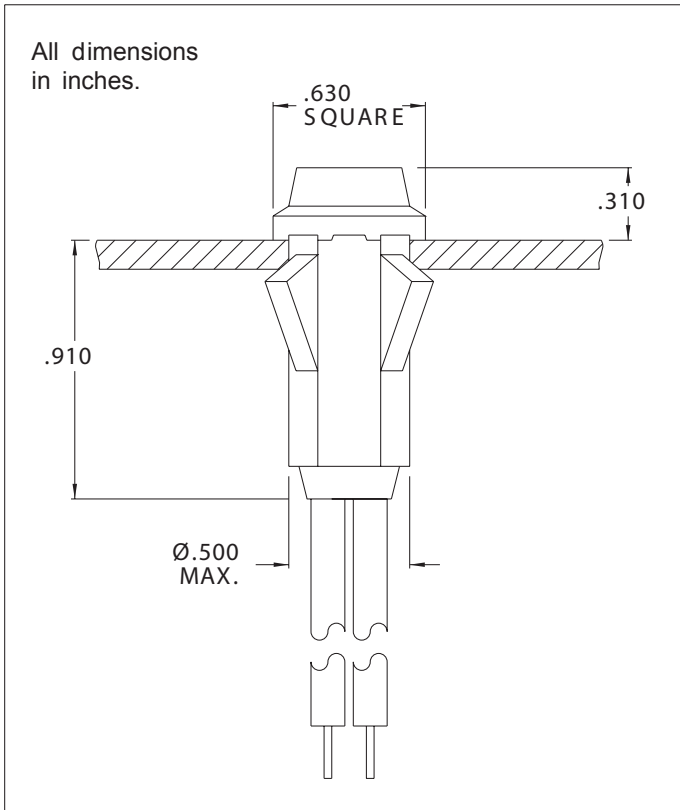


## 1050N, 1052N and 1090N Series Non-Relampable Neon-Incandescent Indicator Lights

### Description and Features



Mounting: Will snap-fit into Ø.500/.505 hole in panels .020/.100 thick. Push-on speednut SN0461 also available. Mounting hole pattern on page SP2.

Wire Leads: No. 22 AWG (105°C) 4.40/4.80 long, stripped .430/.570

Lens: Polycarbonate

Bezel: Polished stainless steel.

Housing: White Nylon

Lens Color	Neon	Incandescent	
	Model No. (105-125VAC)	Model No. (12V)	Model No. (28V)
Red	1050N1	-	-
Amber	1050N3	1090N3-12V	1090N3-28V
Green	1052N5*	-	-
Lamp used	C 2A+R resistor	#2162	#2187
Lead Color	Black	Yellow	Purple

\* Incorporates G2B lamp and resistor.  
Underwriters Laboratories (UL) File No. E20356