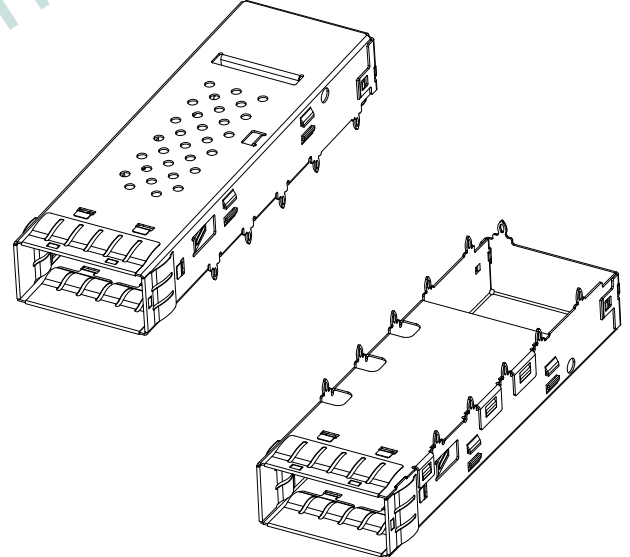
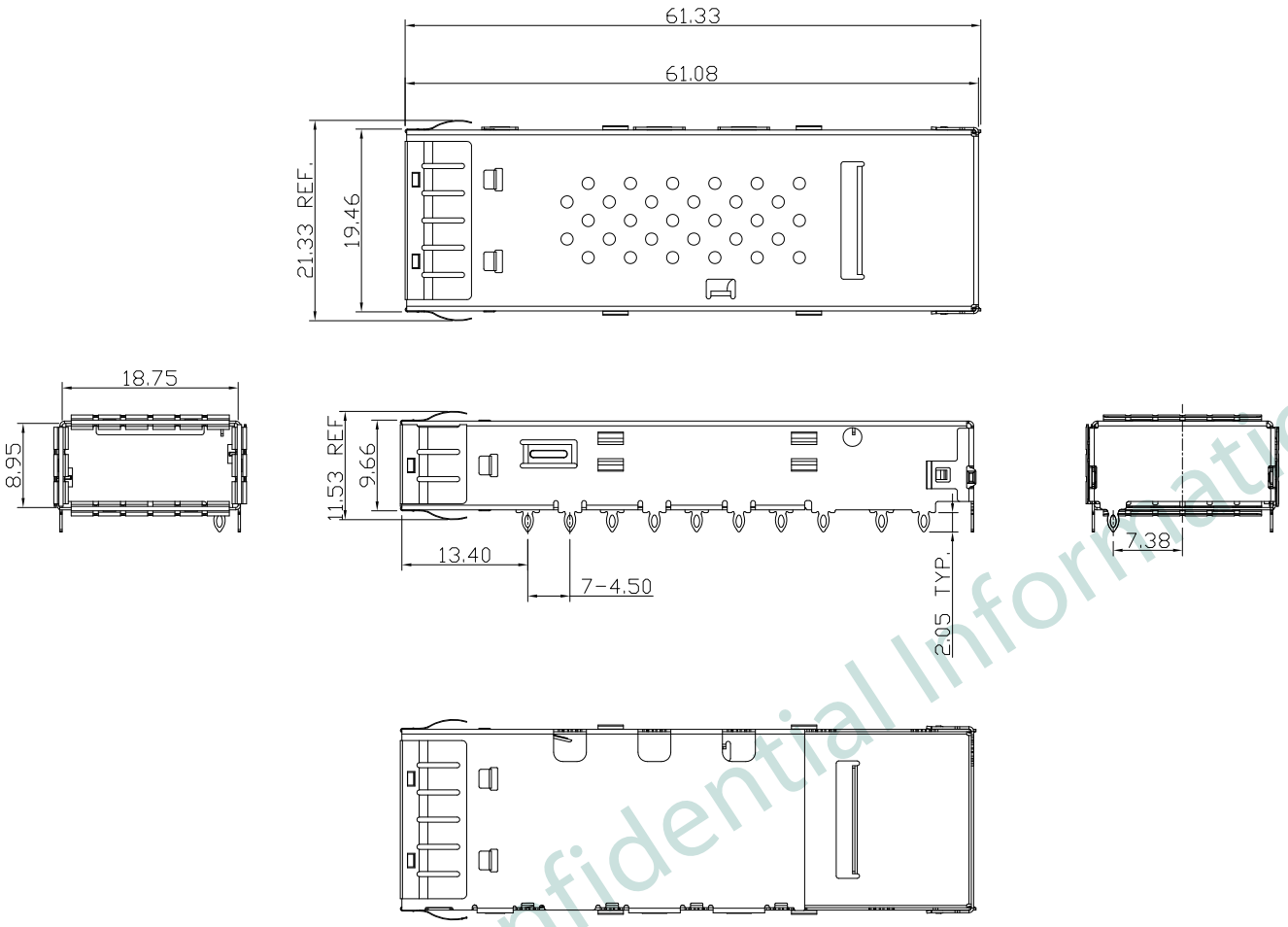


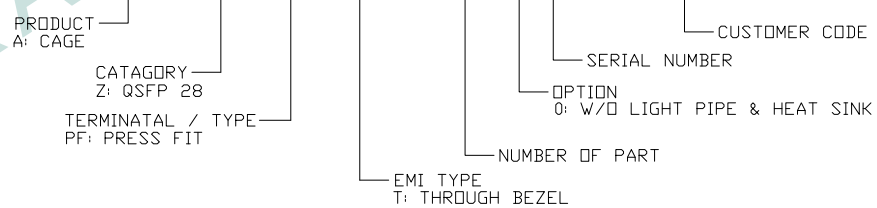
REV.	DATE	DESCRIPTION
01	Jul. 03, '20	1st RELEASE

NOTES:
 1. CAGE: T=0.25mm COPPER ALLOY
 2. UNSPECIFIED TOLERANCE: .XXX ±0.15
 .XX ±0.25

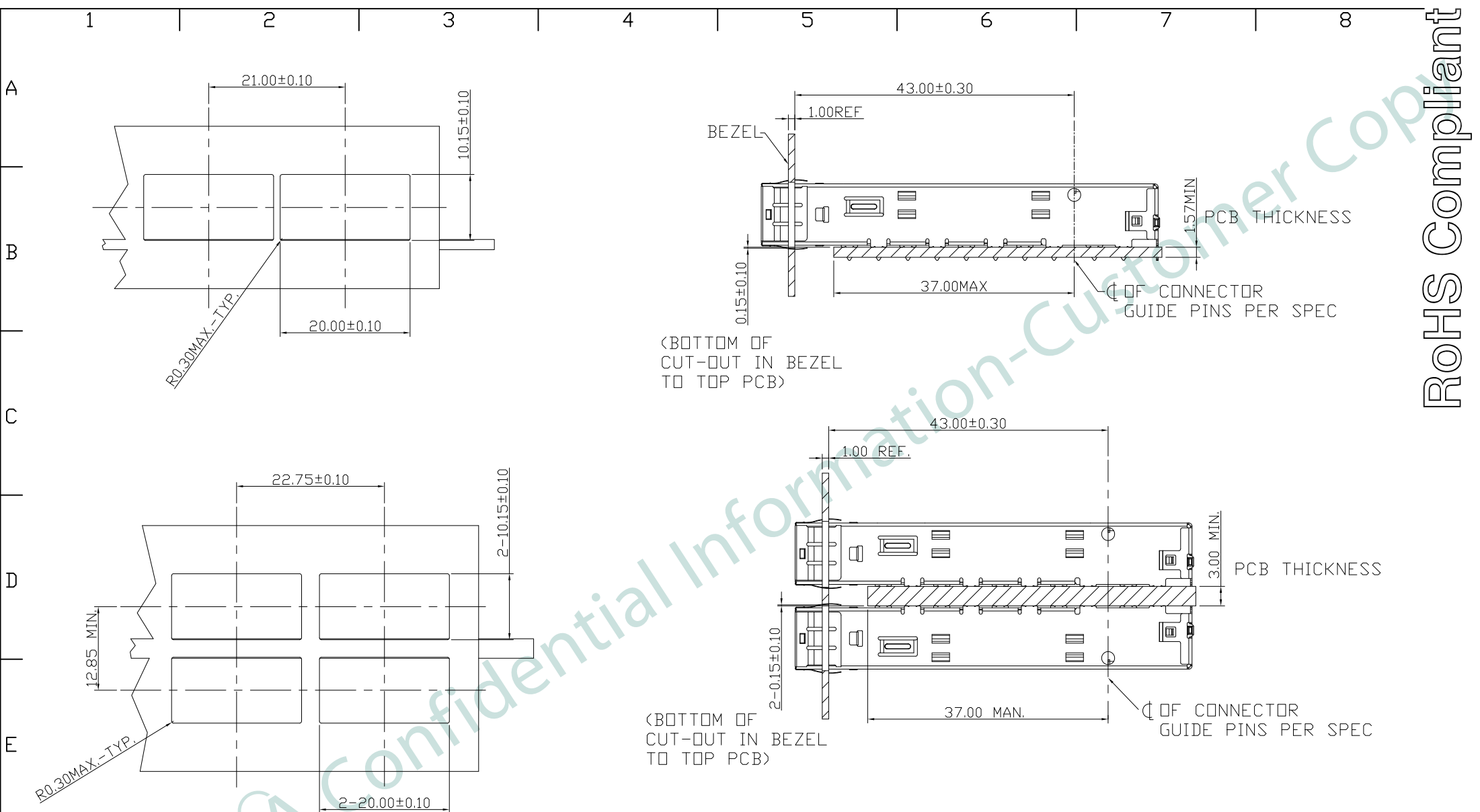
A
B
C
D
E
F



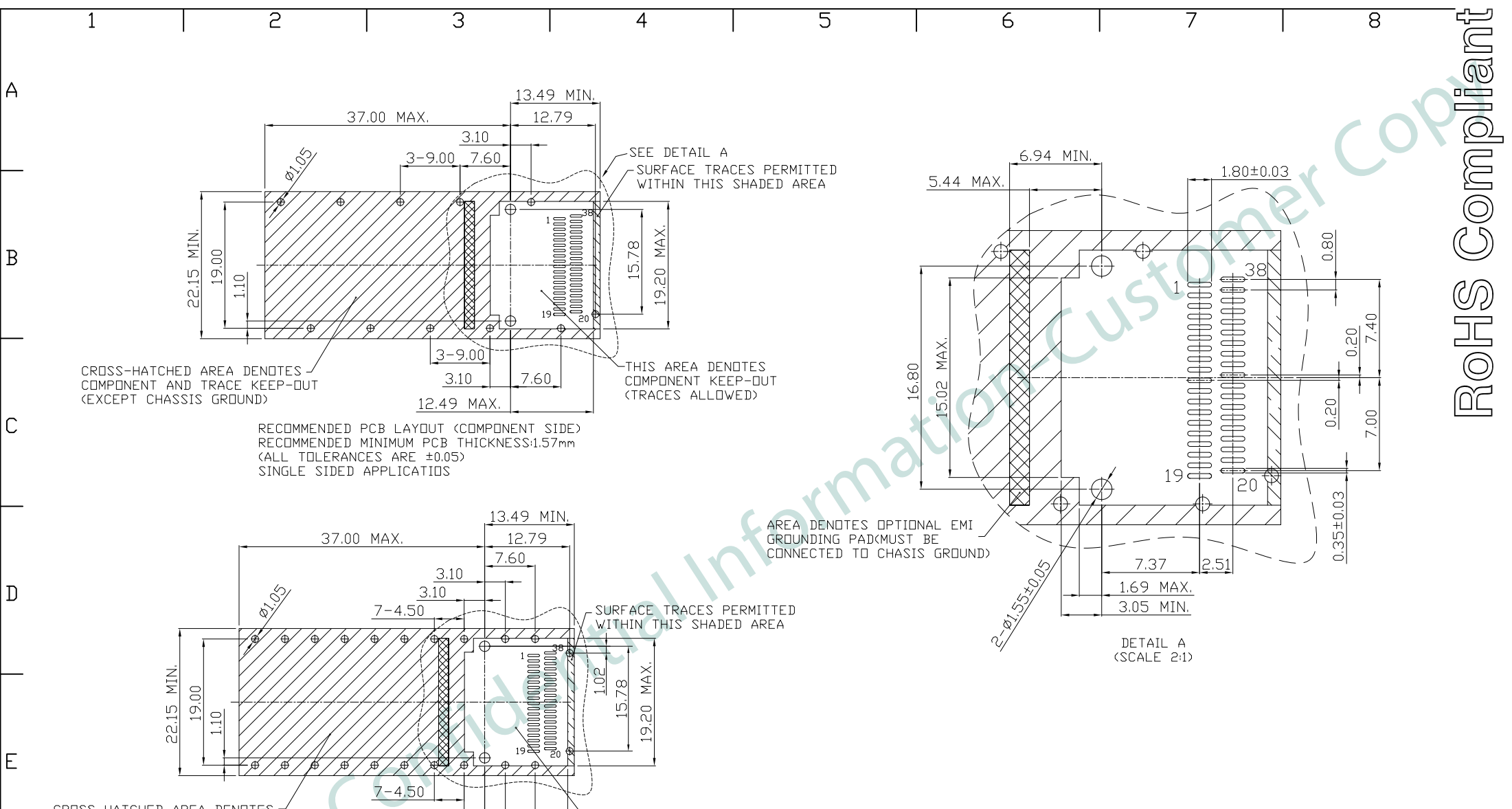
KQFP-A-ZPFT-0101-XXX



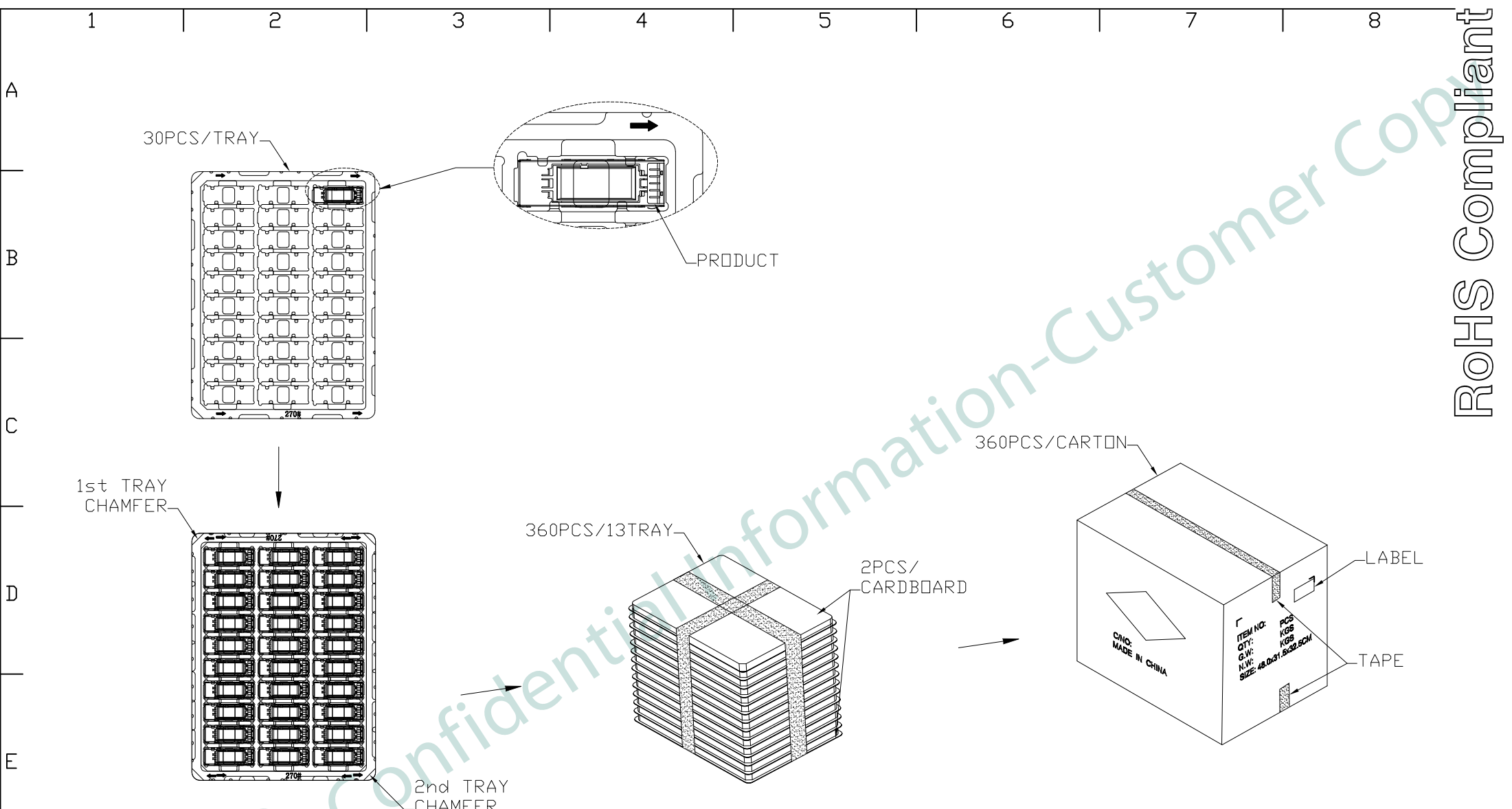
PART NO		KQFP-A-ZPFT-0101-XXX		
TITLE	QSFP 28 1X1 CAGE, W/O LIGHT PIPE, HEAT SINK, PRESS FIT TYPE			
REV : 01				
UNIT	DRAWN	CHKD	DATE	SHEET
mm[inch]	CINDY	VINCENT	Jul. 03, '20	1 of 4

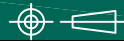


PART NO		KQFP-A-ZPFT-0101-XXX		
TITLE	QSFP 28 1X1 CAGE, W/O LIGHT PIPE, HEAT SINK, PRESS FIT TYPE			
REV : 01				
UNIT	DRAWN	CHKD	DATE	SHEET
mm[inch]	CINDY	VINCENT	Jul. 03, '20	2 of 4



<p>RECOMMENDED PCB LAYOUT (COMPONENT SIDE) RECOMMENDED MINIMUM PCB THICKNESS:1.57mm (ALL TOLERANCES ARE ±0.05) SINGLE SIDED APPLICATIONS</p>		<p>RECOMMENDED PCB LAYOUT (COMPONENT SIDE) RECOMMENDED MINIMUM PCB THICKNESS:3.00mm (ALL TOLERANCES ARE ±0.05) BELLY TO BELLY APPLICATIONS</p>		
<p>CROSS-HATCHED AREA DENOTES COMPONENT AND TRACE KEEP-OUT (EXCEPT CHASSIS GROUND)</p>		<p>CROSS-HATCHED AREA DENOTES COMPONENT AND TRACE KEEP-OUT (EXCEPT CHASSIS GROUND)</p>		
<p>THIS AREA DENOTES COMPONENT KEEP-OUT (TRACES ALLOWED)</p>		<p>THIS AREA DENOTES COMPONENT KEEP-OUT (TRACES ALLOWED)</p>		
<p>SEE DETAIL A SURFACE TRACES PERMITTED WITHIN THIS SHADED AREA</p>		<p>AREA DENOTES OPTIONAL EMI GROUNDING PAD(MUST BE CONNECTED TO CHASSIS GROUND)</p>		
<p>DETAIL A (SCALE 2:1)</p>		<p>PART NO KQFP-A-ZPFT-0101-XXX</p>		
TITLE	QSFP 28 1X1 CAGE, W/O LIGHT PIPE, HEAT SINK, PRESS FIT TYPE			
REV : 01				
UNIT	DRAWN	CHKD	DATE	SHEET
mm[inch]	CINDY	VINCENT	Jul. 03, '20	3 of 4



 PART NO		KQFP-A-ZPFT-0101-XXX		
TITLE	QSPF 28 1X1 CAGE, W/O LIGHT PIPE, HEAT SINK, PRESS FIT TYPE			
REV : 01				
UNIT	DRAWN	CHKD	DATE	SHEET
mm[inch]	CINDY	VINCENT	Jul. 03, '20	4 of 4