

TL1464I

QUAD PULSE-WIDTH-MODULATION CONTROL CIRCUIT

SLVS266 – FEBRUARY 2000

- High-Speed Drive Controller for PNP Power Transistor
- Internal-Regulator Provides a Stable 1.5 V Reference Supply
- Low Start-Up Voltage 3.1 V
- Internal Short-Circuit Protection
- Internal Undervoltage Lockout Protection
- Internal Shut-Down Circuit by Channel
- Controllable Base Current of External Transistor

description

The TL1464I incorporates on a single monolithic chip all the functions required in the construction of a pulse-width-modulation control circuit. Designed primarily for power supply control, the TL1464I contains an on-chip 1.5 V regulator, four error amplifiers, an oscillator, two dead-time comparators, undervoltage lockout circuitry, short circuit protection, standby control circuitry, and output circuits.

The external speed-up capacitors provide exceptional rise and fall time performance for the PNP power transistor.

The TL1464I operates from 3.1 V supply voltage and 2 pair of four-outputs (CH-1/CH-3, CH-2/CH-4 the same period) at the inverse phase of each other. As a result, the TL1464I provides high-efficiency power supply.

FUNCTION TABLE

INPUTS		OUTPUT FUNCTIONS				
STANDBY	STANDBY-2 TO4	VREF	OUTPUT-1	OUTPUT-2	OUTPUT-3	OUTPUT-4
$V_I \leq 0.4 \text{ V}$	$V_I \leq 0.4 \text{ V}, V_I \geq 2.4 \text{ V}$	L	OFF	OFF	OFF	OFF
$V_I \geq 2.4 \text{ V}$	$V_I \geq 2.4 \text{ V}$	H	ON	ON	ON	ON
	$V_I \geq 0.4 \text{ V}$	H	ON	See Note	See Note	See Note

NOTE: When the STANDBY input is high ($\geq 2.4 \text{ V}$), OUTPUT-2 to 4 are controlled individually. If STANDBY-2 input is low ($\leq 0.4 \text{ V}$), OUTPUT-2 is turned off. When CH-2 standby mode is released, CH-2 can do the soft-start function.



Please be aware that an important notice concerning availability, standard warranty, and use in critical applications of Texas Instruments semiconductor products and disclaimers thereto appears at the end of this data sheet.

PRODUCTION DATA information is current as of publication date. Products conform to specifications per the terms of Texas Instruments standard warranty. Production processing does not necessarily include testing of all parameters.

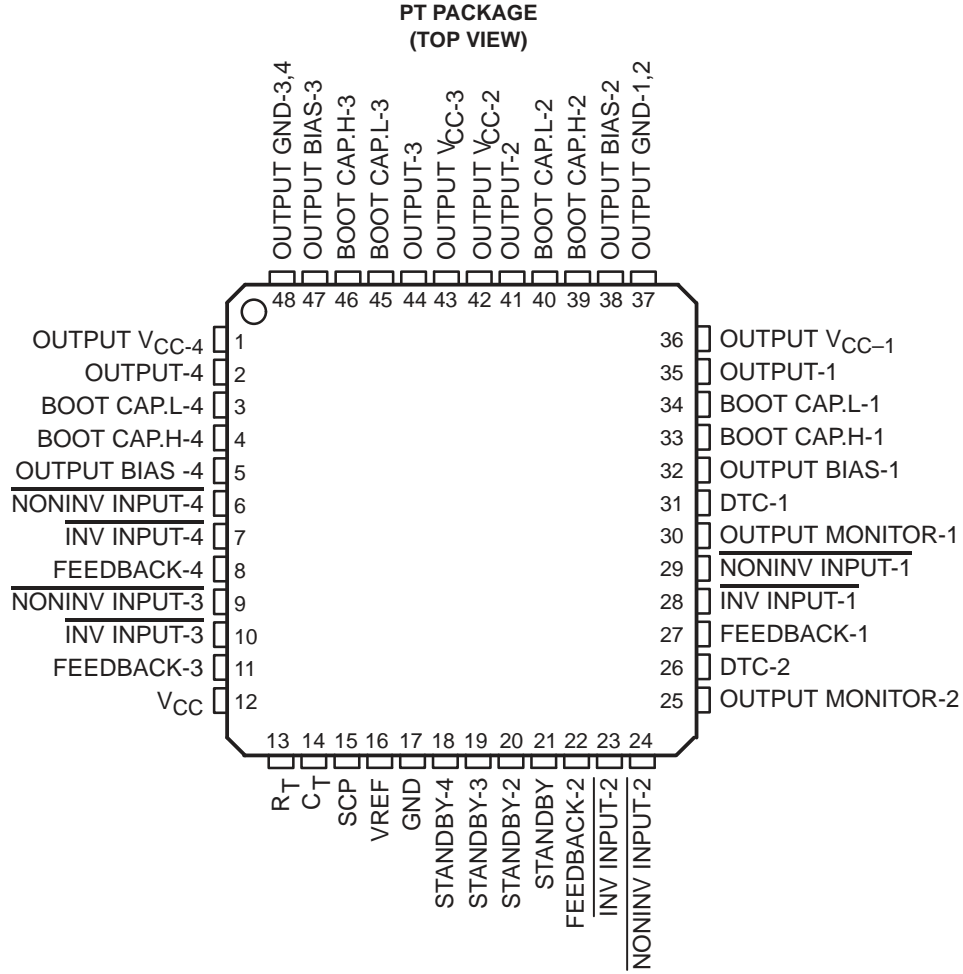
**TEXAS
INSTRUMENTS**

POST OFFICE BOX 655303 • DALLAS, TEXAS 75265

Copyright © 2000, Texas Instruments Incorporated

TL1464I QUAD PULSE-WIDTH-MODULATION CONTROL CIRCUIT

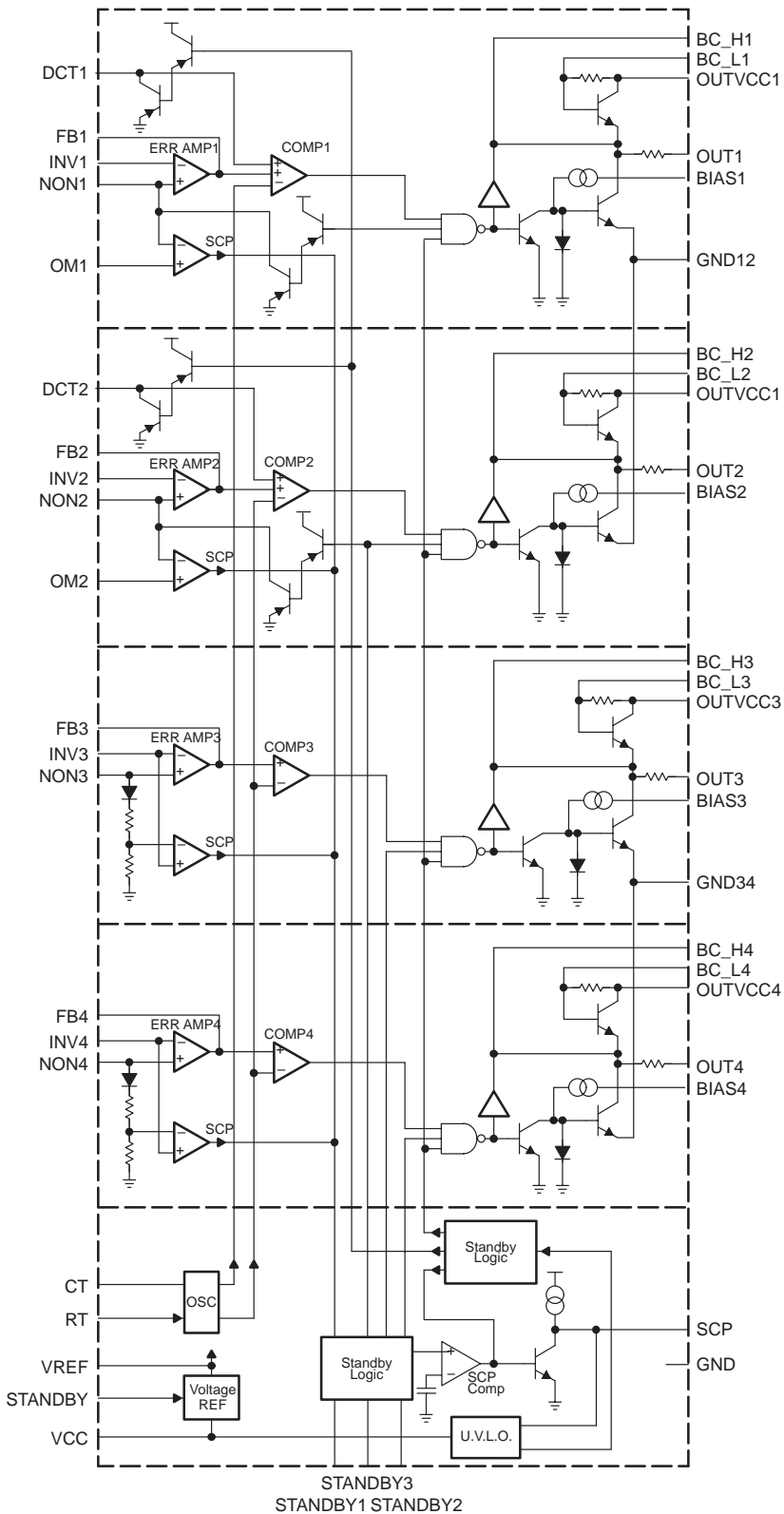
SLVS266 – FEBRUARY 2000



TL1464I QUAD PULSE-WIDTH-MODULATION CONTROL CIRCUIT

SLVS266 – FEBRUARY 2000

functional block diagram



TL1464I

QUAD PULSE-WIDTH-MODULATION CONTROL CIRCUIT

SLVS266 – FEBRUARY 2000

Terminal Functions

TERMINAL NAME	NO.	I/O	DESCRIPTION
BOOT CAP.H-1	33		Boot-strap capacitor connect pin (CH-1)
BOOT CAP.L-1	34		
BOOT CAP.H-2	39		Boot-strap capacitor connect pin (CH-2)
BOOT CAP.L-2	40		
BOOT CAP.H-3	46		Boot-strap capacitor connect pin (CH-3)
BOOT CAP.L-3	45		
BOOT CAP.H-4	4		Boot-strap capacitor connect pin (CH-4)
BOOT CAP.L-4	3		
C _T	14		Timing capacitor connect pin
DTC-1	31		Dead-time control input pin (CH-1)
DTC-2	26		Dead-time control input pin (CH-2)
FEEDBACK-1	27		Error amplifier output pin (CH-1)
FEEDBACK-2	22		Error amplifier output pin (CH-2)
FEEDBACK-3	11		Error amplifier output pin (CH-3)
FEEDBACK-4	8		Error amplifier output pin (CH-4)
GND	17		Ground pin
INV INPUT-1	28		Error amplifier inverting input pin (CH-1)
INV INPUT-2	23		Error amplifier inverting input pin (CH-2)
INV INPUT-3	10		Error amplifier inverting input pin (CH-3)
INV INPUT-4	7		Error amplifier inverting input pin (CH-4)
NONINV INPUT-1	29		Error amplifier noninverting input pin (CH-1)
NONINV INPUT-2	24		Error amplifier noninverting input pin (CH-2)
NONINV INPUT-3	9		Error amplifier noninverting input pin (CH-3)
NONINV INPUT-4	6		Error amplifier noninverting input pin (CH-4)
OUTPUT-1	35		Output pin (CH-1)
OUTPUT-2	41		Output pin (CH-2)
OUTPUT-3	44		Output pin (CH-3)
OUTPUT-4	2		Output pin (CH-4)
OUTPUT BIAS-1	32		Output ON current setup pin (CH-1)
OUTPUT BIAS-2	38		Output ON current setup pin (CH-2)
OUTPUT BIAS-3	47		Output ON current setup pin (CH-3)
OUTPUT BIAS-4	5		Output ON current setup pin (CH-4)
OUTPUT GND-1,2	37		Output ground pin (CH-1,2)
OUTPUT GND-3,4	48		Output ground pin (CH-3,4)
OUTPUT MONITOR-1	30		Output monitor comparator input pin (CH-1)
OUTPUT MONITOR-2	25		Output monitor comparator input pin (CH-2)
OUTPUT V _{CC} -1	36		Output supply pin (CH-1)
OUTPUT V _{CC} -2	42		Output supply pin (CH-2)
OUTPUT V _{CC} -3	43		Output supply pin (CH-3)
OUTPUT V _{CC} -4	1		Output supply pin (CH-4)
R _T	13		Timing resistor connect pin
SCP	15		Short-circuit protection capacitor connect pin



POST OFFICE BOX 655303 • DALLAS, TEXAS 75265

TL1464I

QUAD PULSE-WIDTH-MODULATION CONTROL CIRCUIT

SLVS266 – FEBRUARY 2000

Terminal Functions (Continued)

TERMINAL NAME	NO.	I/O	DESCRIPTION
STANDBY	21		Output-1 to 4 control pin. Input L level voltage (0.4 V max). All outputs function and VREF are shutdown.
STANDBY-2	20		Output-2 control pin. Input L level voltage (0.4 V max), output-2 function is shutdown.
STANDBY-3	19		Output-3 control pin. Input L level voltage (0.4 V max), output-3 function is shutdown.
STANDBY-4	18		Output-4 control pin. Input L level voltage (0.4 V max), output-4 function is shutdown.
V _{CC}	12		Power supply pin

absolute maximum ratings over operating free-air temperature (unless otherwise noted)†

Supply voltage range, V _{CC} (see Note 1)	13 V
Amplifier input voltage, V _{IC}	13 V
Output voltage, V _O	13 V
Peak output current (sink), I _(SINK)	100 mA
Peak output current (source), I _(SOURCE)	1 A
Continuous total dissipation at (or below) 25°C free-air temperature (unit), P _D	695 mW
Continuous total dissipation at (or below) 25°C free-air temperature (using board), P _D (see Note 2)	1315 mW
Operating free-air temperature range, T _A	–20°C to 75°C
Storage temperature range, T _{stg}	–65°C to 150°C
Lead temperature 1,6 mm (1/16 inch) from case for 10 seconds	260°C

† Stresses beyond those listed under “absolute maximum ratings” may cause permanent damage to the device. These are stress ratings only, and functional operation of the device at these or any other conditions beyond those indicated under “recommended operating conditions” is not implied. Exposure to absolute-maximum-rated conditions for extended periods may affect device reliability.

- NOTES: 1. All voltage values are with respect to network ground terminal.
2. Using 1.6 × 50 × 50 mm glass epoxy resin.

recommended operating conditions

	MIN	NOM	MAX	UNIT
Supply voltage, V _{CC}	3.1		12	V
Amplifier input voltage, V _{IC}	CH-1,2		V _{CC} –1.8	V
	CH-3,4	0	V _{CC} –1.8	
Standby input voltage, V _I (pins 18, 19, 20, 21)	H level	2.4	V _{CC}	V
	L level		0.4	
Output voltage, V _O			12	V
Current into feedback terminal, I _(CAMP)			–45	μA
Feedback resistor, R _(NF)	100			kΩ
Boot-strap capacitor, C _(BOOT)	100	500		pF
Bias resistor, R _(BIAS)	1.2		20	
Bias capacitor, C _(BIAS)		30	200	pF
Timing resistor, R _(T)	7		50	kΩ
Timing capacitor, C _(T)	68		1000	pF
Oscillation frequency, f _(OSC)	0.05		2	MHz
Operating free-air temperature, T _A	–20		75	°C



TL1464I

QUAD PULSE-WIDTH-MODULATION CONTROL CIRCUIT

SLVS266 – FEBRUARY 2000

electrical characteristics over recommended operating free-air temperature range, $V_{CC} = 6\text{ V}$, $f = 1\text{ MHz}$ (unless otherwise noted)

reference section

PARAMETER		TEST CONDITIONS	MIN	TYP	MAX	UNIT
V_{ref}	Output voltage (pin 16)	$T_A = 25^\circ\text{C}$, $I_{(OR)} = -1\text{ mA}$	1.485	1.50	1.515	V
$R_{(EGIN)}$	Input regulation	$V_{OS} = 3.1\text{ V to }12\text{ V}$, $I_{(OR)} = -1\text{ mA}$		2	12.5	mV
$R_{(EFL)}$	Output regulation	$I_{(OR)} = -0.1\text{ mA to }-1\text{ mA}$		1	7.5	mV
$V_{(RTC1)}$	Output voltage change with temperature	$T_A = 20^\circ\text{C to }25^\circ\text{C}$		-0.2%	$\pm 2\%$	
$R_{(RTC2)}$		$T_A = 25^\circ\text{C to }75^\circ\text{C}$		-0.2%	$\pm 2\%$	
I_{OS}	Short-circuit output current	$V_{ref} = 0\text{ V}$	4	8		mA

undervoltage lockout section

PARAMETER		TEST CONDITIONS	MIN	TYP	MAX	UNIT
V_{IH}	Upper threshold voltage	$T_A = 25^\circ\text{C}$		2.7		V
V_{IL}	Lower threshold voltage			2.5		V
V_{hys}	Hysteresis		0.1	0.2		V
V_R	Reset threshold voltage (V_{CC})		2.2	2.3		V

output voltage monitor section

PARAMETER		TEST CONDITIONS	MIN	TYP	MAX	UNIT
$V_{IO(M)}$	Input offset voltage	$T_A = 25^\circ\text{C}$ (CH-1,2)		0		V
		$V_I = 1.5\text{ V}$ (pins 6 and 9), $T_A = 25^\circ\text{C}$ (CH-3,4)		10.5		
$I_{(BOM)}$	Input bias current	$V_I = 0\text{ V}$		-200	-500	nA
$V_{(IOM)}$	Input voltage range	$V_{CC} = 3.1\text{ V} \sim 12\text{ V}$		0 to $V_{CC}-1.8$		V

protection control section

PARAMETER		TEST CONDITIONS	MIN	TYP	MAX	UNIT
$V_{(tPC)}$	Input threshold voltage (pin 15)	$T_A = 25^\circ\text{C}$	1.45	1.50	1.55	V
$V_{(stby)}$	Standby voltage (pin 15)		40	70	100	mV
V_I	Latched input voltage (pin 15)			10	30	mV
$I_{(bPC)}$	Input source current (pin 15)	$T_A = 25^\circ\text{C}$	-1	-3	-6	μA

oscillator section

PARAMETER		TEST CONDITIONS	MIN	TYP	MAX	UNIT
$f_{(OSC)}$	Frequency	$C_t = 100\text{ pF}$, $R_t = 10\text{ k}\Omega$		1		MHz
$f_{(dev)}$	Standard deviation of frequency	All values are constant		7%		
$f_{(dV)}$	Frequency change with voltage	$V_{CC} = 3\text{ V} \sim 12\text{ V}$		1%		
$f_{(dT1)}$	Frequency change with temperature	$T_A = 20^\circ\text{C to }25^\circ\text{C}$		-0.5%	$\pm 4\%$	
$f_{(dT2)}$		$T_A = 25^\circ\text{C to }75^\circ\text{C}$		0.5%	$\pm 4\%$	



TL1464I

QUAD PULSE-WIDTH-MODULATION CONTROL CIRCUIT

SLVS266 – FEBRUARY 2000

electrical characteristics over recommended operating free-air temperature range, $V_{CC} = 6\text{ V}$, $f = 1\text{ MHz}$ (unless otherwise noted) (continued)

dead-time control section

PARAMETER		TEST CONDITIONS	MIN	TYP	MAX	UNIT
$I_{(dt)}$	Input current			-1	-4	μA
$I_{(dt)}$	Latched mode sink current	$T_A = 25^\circ\text{C}$	0.3	1	2	mA
$V_{(dt)}$	Latched input voltage	$I_{(dt)} = 100\ \mu\text{A}$			0.5	V
V_{IO}	Input threshold voltage	Zero duty cycle	0.6	0.7	0.8	V
$V_{(tt00)}$		100% duty cycle	1.3	1.4	1.5	

error-amplifier section

PARAMETER		TEST CONDITIONS	MIN	TYP	MAX	UNIT
V_{IO}	Input offset voltage	$V_O = 1\text{ V}$			± 10	mV
I_{IO}	Input offset current	$V_O = 1\text{ V}$			± 100	nA
I_{IB}	Input bias current	$V_O = 1\text{ V}$		-200	-500	nA
V_{ICR}	Common-mode input voltage	CH-1,2	$V_{CC} = 3.1\text{ V} \sim 12\text{ V}$	-0.1 to $V_{CC}-1.8$		V
		CH-3,4		0 to $V_{CC}-1.8$		
$A_{(v)}$	Open-loop voltage amplification	$R_I = 200\ \text{k}\Omega$	60	75		dB
B_1	Unity-gain bandwidth			6		MHz
CMRR	Common-mode rejection ratio	$V_{IC} = -0.1\text{ V} \sim V_{CC} - 1.8\text{ V}$	60	80		dB
V_{OM+}	Maximum output voltage swing		$V_{ref}-0.1$		0.2	V
V_{OM-}						
$I_{O(vr+)}$	Output current (sink)	$V_{ID} = -0.1\text{ V}, V_O = 1.25\text{ V}$	0.5	1		mA
I_{I+}	Sink current (pin 24) (standby mode)	$V_I = 0.3\text{ V}$ (pin 24) $V_I = 0\text{ V}$ (pin 20)	0.1	0.5		mA
I_{OM-}	Output current (source)	$V_{ID} = 0.1\text{ V}, V_O = 0.75\text{ V}$	-45	-85		μA

output section

PARAMETER		TEST CONDITIONS	MIN	TYP	MAX	UNIT
$I_{(SINK)}$	Output current (sink)	$R_{(BIAS)} = 2.4\ \text{k}\Omega$	15	20	25	mA
		$R_{(BIAS)} = 5.8\ \text{k}\Omega$	7.5	10	12.5	

total device

PARAMETER		TEST CONDITIONS	MIN	TYP	MAX	UNIT
$I_{O(CS)}$	Standby supply current	Standby pin input voltage = 0 V		1	200	μA
$I_{O(CA)}$	Average supply current	$R_t = 10\ \text{k}\Omega$		4	7	mA

TL1464I QUAD PULSE-WIDTH-MODULATION CONTROL CIRCUIT

SLVS266 – FEBRUARY 2000

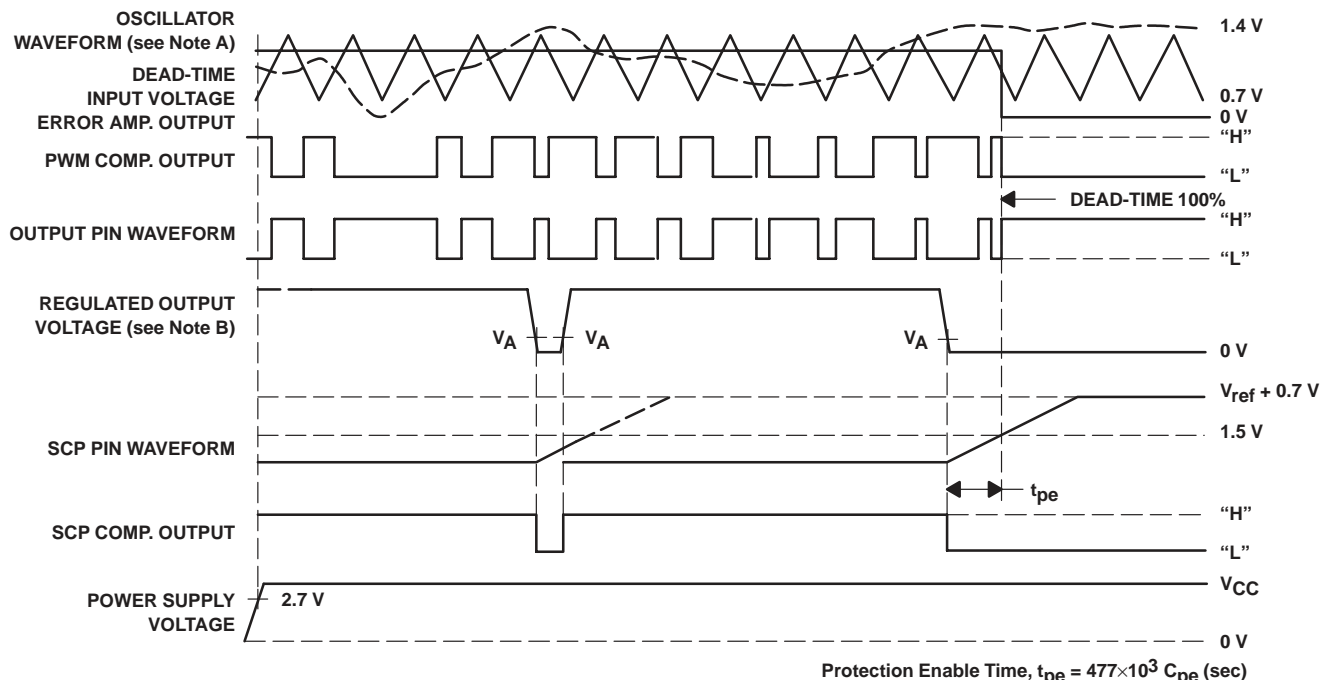


Figure 1. Timing Diagram (CH-1/CH-2)

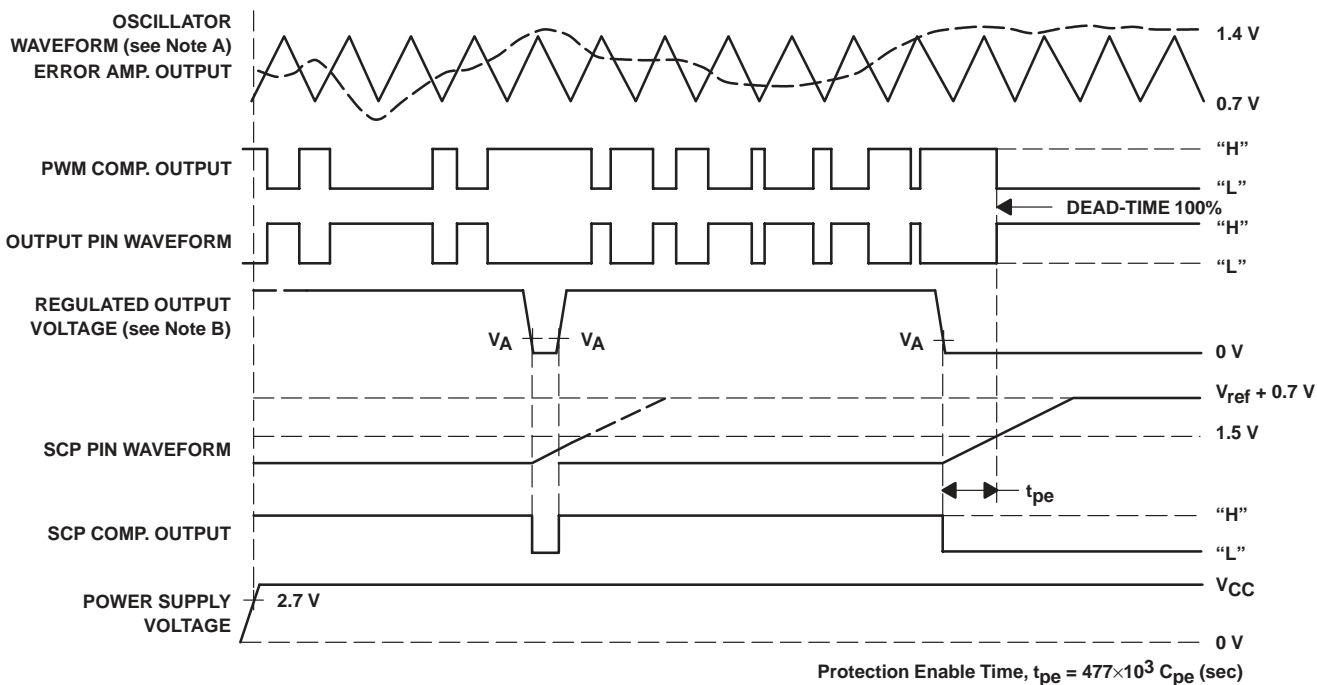


Figure 2. Timing Diagram (CH-3/CH-4)

NOTES: A. Oscillator waveform of CH-1 and CH-2 is inverting output each other.
B. V_A = input voltage of pin 29 (pin 24)



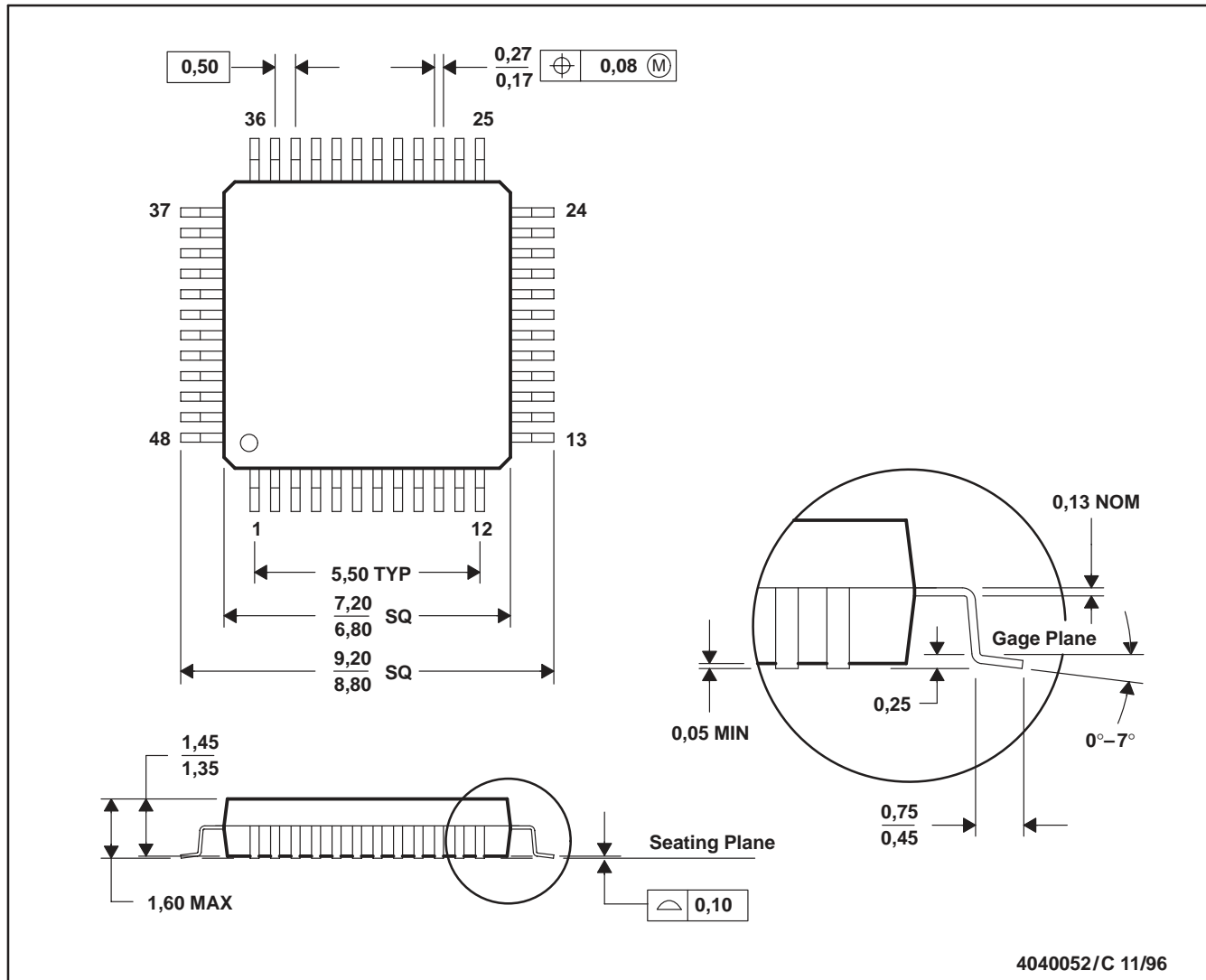
TL1464I QUAD PULSE-WIDTH-MODULATION CONTROL CIRCUIT

SLVS266 – FEBRUARY 2000

MECHANICAL DATA

PT (S-PQFP-G48)

PLASTIC QUAD FLATPACK



- NOTES:
- A. All linear dimensions are in millimeters.
 - B. This drawing is subject to change without notice.
 - C. Falls within JEDEC MS-026
 - D. This may also be a thermally enhanced plastic package with leads connected to the die pads.

PACKAGING INFORMATION

Orderable Device	Status (1)	Package Type	Package Drawing	Pins	Package Qty	Eco Plan (2)	Lead finish/ Ball material (6)	MSL Peak Temp (3)	Op Temp (°C)	Device Marking (4/5)	Samples
TL1464IPT	ACTIVE	LQFP	PT	48	250	RoHS & Green	NIPDAU	Level-1-260C-UNLIM	-20 to 75	Z1464	Samples

(1) The marketing status values are defined as follows:

ACTIVE: Product device recommended for new designs.

LIFEBUY: TI has announced that the device will be discontinued, and a lifetime-buy period is in effect.

NRND: Not recommended for new designs. Device is in production to support existing customers, but TI does not recommend using this part in a new design.

PREVIEW: Device has been announced but is not in production. Samples may or may not be available.

OBSELETE: TI has discontinued the production of the device.

(2) **RoHS:** TI defines "RoHS" to mean semiconductor products that are compliant with the current EU RoHS requirements for all 10 RoHS substances, including the requirement that RoHS substance do not exceed 0.1% by weight in homogeneous materials. Where designed to be soldered at high temperatures, "RoHS" products are suitable for use in specified lead-free processes. TI may reference these types of products as "Pb-Free".

RoHS Exempt: TI defines "RoHS Exempt" to mean products that contain lead but are compliant with EU RoHS pursuant to a specific EU RoHS exemption.

Green: TI defines "Green" to mean the content of Chlorine (Cl) and Bromine (Br) based flame retardants meet JS709B low halogen requirements of <=1000ppm threshold. Antimony trioxide based flame retardants must also meet the <=1000ppm threshold requirement.

(3) MSL, Peak Temp. - The Moisture Sensitivity Level rating according to the JEDEC industry standard classifications, and peak solder temperature.

(4) There may be additional marking, which relates to the logo, the lot trace code information, or the environmental category on the device.

(5) Multiple Device Markings will be inside parentheses. Only one Device Marking contained in parentheses and separated by a "-" will appear on a device. If a line is indented then it is a continuation of the previous line and the two combined represent the entire Device Marking for that device.

(6) Lead finish/Ball material - Orderable Devices may have multiple material finish options. Finish options are separated by a vertical ruled line. Lead finish/Ball material values may wrap to two lines if the finish value exceeds the maximum column width.

Important Information and Disclaimer:The information provided on this page represents TI's knowledge and belief as of the date that it is provided. TI bases its knowledge and belief on information provided by third parties, and makes no representation or warranty as to the accuracy of such information. Efforts are underway to better integrate information from third parties. TI has taken and continues to take reasonable steps to provide representative and accurate information but may not have conducted destructive testing or chemical analysis on incoming materials and chemicals. TI and TI suppliers consider certain information to be proprietary, and thus CAS numbers and other limited information may not be available for release.

In no event shall TI's liability arising out of such information exceed the total purchase price of the TI part(s) at issue in this document sold by TI to Customer on an annual basis.

TRAY


Chamfer on Tray corner indicates Pin 1 orientation of packed units.

*All dimensions are nominal

Device	Package Name	Package Type	Pins	SPQ	Unit array matrix	Max temperature (°C)	L (mm)	W (mm)	K0 (µm)	P1 (mm)	CL (mm)	CW (mm)
TL1464IPT	PT	LQFP	48	250	10 x 25	150	315	135.9	7620	12.2	11.1	11.25

IMPORTANT NOTICE AND DISCLAIMER

TI PROVIDES TECHNICAL AND RELIABILITY DATA (INCLUDING DATA SHEETS), DESIGN RESOURCES (INCLUDING REFERENCE DESIGNS), APPLICATION OR OTHER DESIGN ADVICE, WEB TOOLS, SAFETY INFORMATION, AND OTHER RESOURCES "AS IS" AND WITH ALL FAULTS, AND DISCLAIMS ALL WARRANTIES, EXPRESS AND IMPLIED, INCLUDING WITHOUT LIMITATION ANY IMPLIED WARRANTIES OF MERCHANTABILITY, FITNESS FOR A PARTICULAR PURPOSE OR NON-INFRINGEMENT OF THIRD PARTY INTELLECTUAL PROPERTY RIGHTS.

These resources are intended for skilled developers designing with TI products. You are solely responsible for (1) selecting the appropriate TI products for your application, (2) designing, validating and testing your application, and (3) ensuring your application meets applicable standards, and any other safety, security, regulatory or other requirements.

These resources are subject to change without notice. TI grants you permission to use these resources only for development of an application that uses the TI products described in the resource. Other reproduction and display of these resources is prohibited. No license is granted to any other TI intellectual property right or to any third party intellectual property right. TI disclaims responsibility for, and you will fully indemnify TI and its representatives against, any claims, damages, costs, losses, and liabilities arising out of your use of these resources.

TI's products are provided subject to [TI's Terms of Sale](#) or other applicable terms available either on ti.com or provided in conjunction with such TI products. TI's provision of these resources does not expand or otherwise alter TI's applicable warranties or warranty disclaimers for TI products.

TI objects to and rejects any additional or different terms you may have proposed.

Mailing Address: Texas Instruments, Post Office Box 655303, Dallas, Texas 75265
Copyright © 2022, Texas Instruments Incorporated