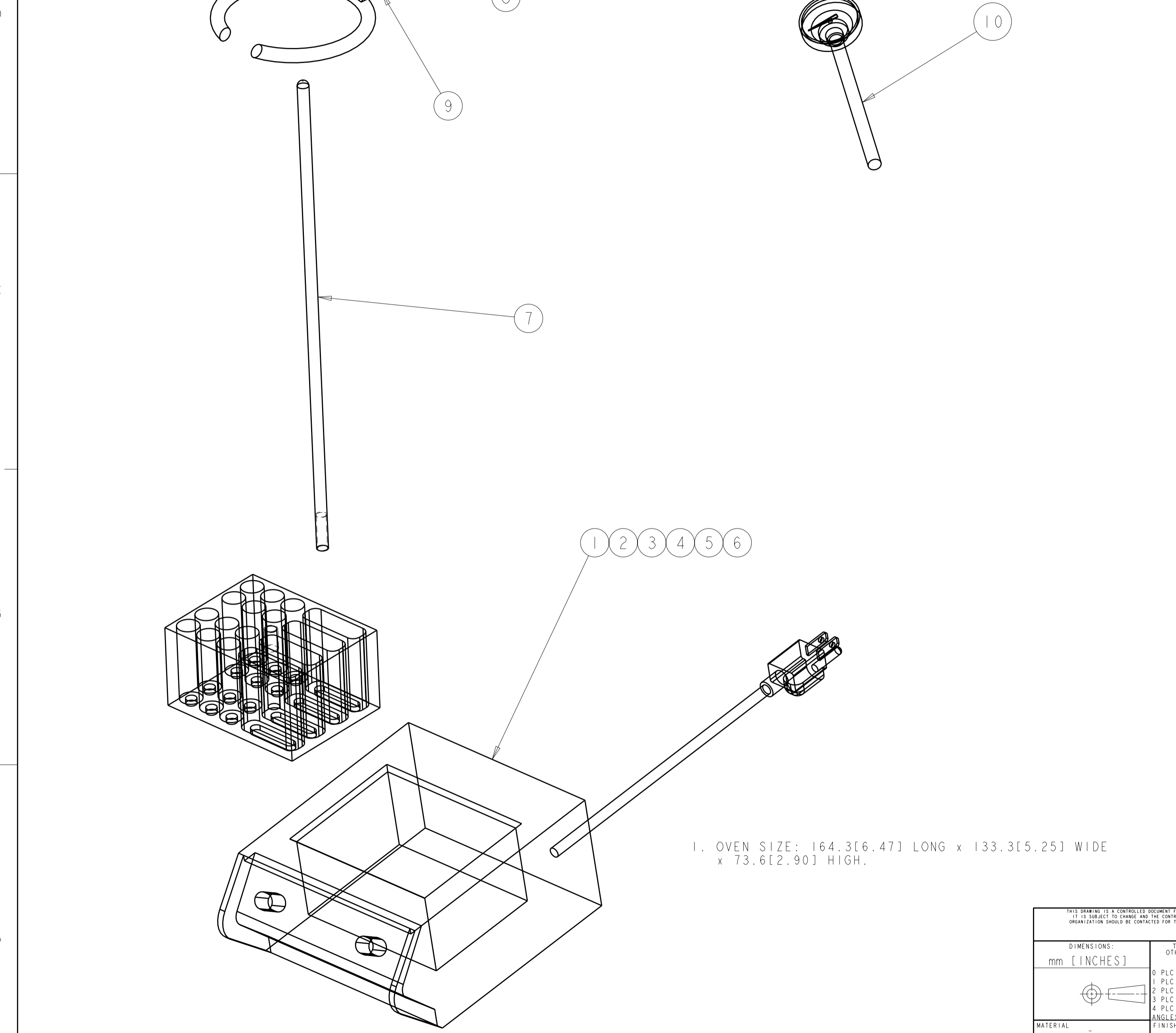
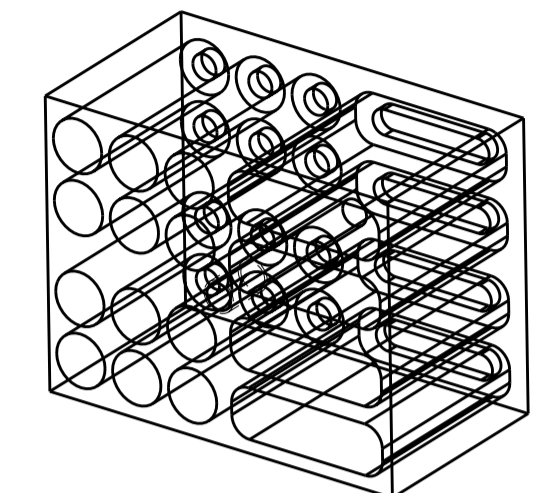


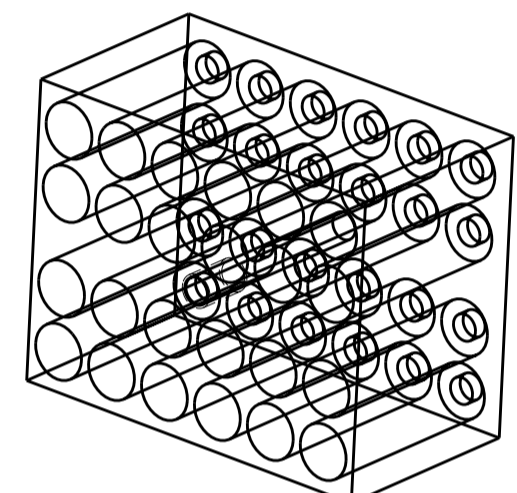
LOC	DIST	REVISIONS					
CE	00	F	LTR	DESCRIPTION	DATE	DWN	APVD
		J		REVISE PER ECR-06-015377	13JUL2006	BB	DK



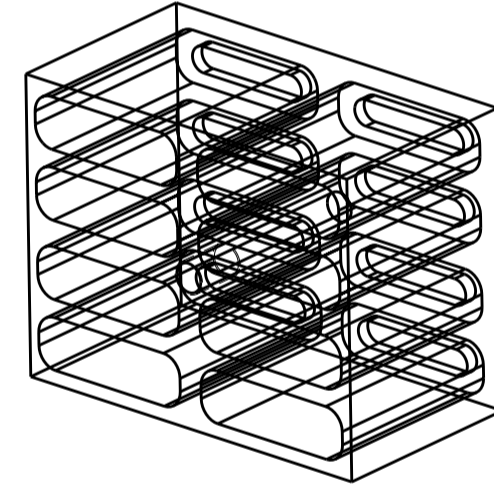
1. OVEN SIZE: 164.3[6.47] LONG x 133.3[5.25] WIDE x 73.6[2.90] HIGH.



UNIVERSAL HEAT CURE BLOCK INCLUDED WITH 502134-1 & -2



SMA, ST, FC HEAT CURE BLOCK INCLUDED WITH 502134-3 & -4



FSD HEAT CURE BLOCK INCLUDED WITH 502134-5 & -6

OBSOLETE

										THERMOMETER	10
										CABLE SUPPORT BRACKET	9
										#10-24 UNC x .50 THUMB SCREW	8
										CABLE SUPPORT ROD	7
										240V OVEN WITH FSD BLOCK	6
										120V OVEN WITH FSD BLOCK	5
										240V OVEN WITH SMA,ST,FC BLOCK	4
										120V OVEN WITH SMA,ST,FC BLOCK	3
										240V OVEN WITH UNIVERSAL BLOCK	2
										120V OVEN WITH UNIVERSAL BLOCK	1
-6	-5	-4	-3	-2	-1					DESCRIPTION	ITEM NO.

<small>THIS DRAWING IS A CONTROLLED DOCUMENT FOR AMP INCORPORATED. IT IS SUBJECT TO CHANGE AND THE CONTROLLING ENGINEERING ORGANIZATION SHOULD BE CONTACTED FOR THE LATEST REVISION.</small>		DWN B. BRIGGS 13JUL2006 CHK D. KIRSCH 13JUL2006 APVD S. BUCHTER 13JUL2006	AMP Tyco Electronics Harrisburg, PA 17105-3608
DIMENSIONS: mm [INCHES]	TOLERANCES UNLESS OTHERWISE SPECIFIED: 0 PLC ± 1 PLC ±3.0(.12) 2 PLC ± 3 PLC ± 4 PLC ± ANGLES ± FINISH -	PRODUCT SPEC - APPLICATION SPEC - WEIGHT -	NAME HEAT CURE OVEN ASSEMBLY, OPTIMATE SIZE A2 CAGE CODE 00779 DRAWING NO. 502134 SCALE NTS SHEET OF REV J
CUSTOMER DRAWING			