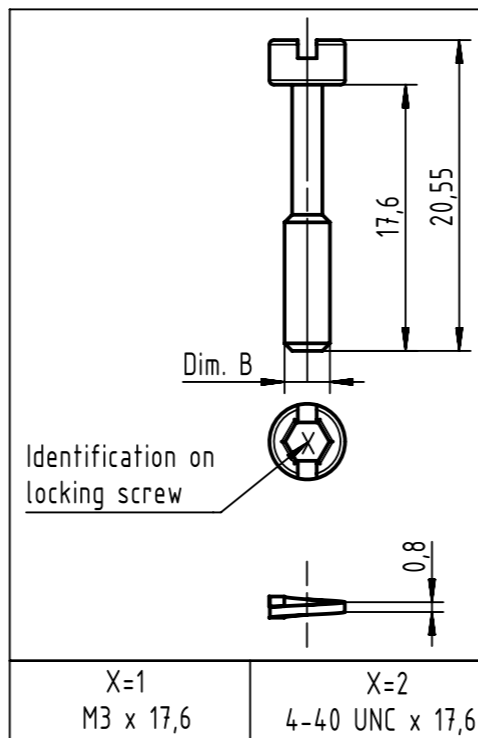
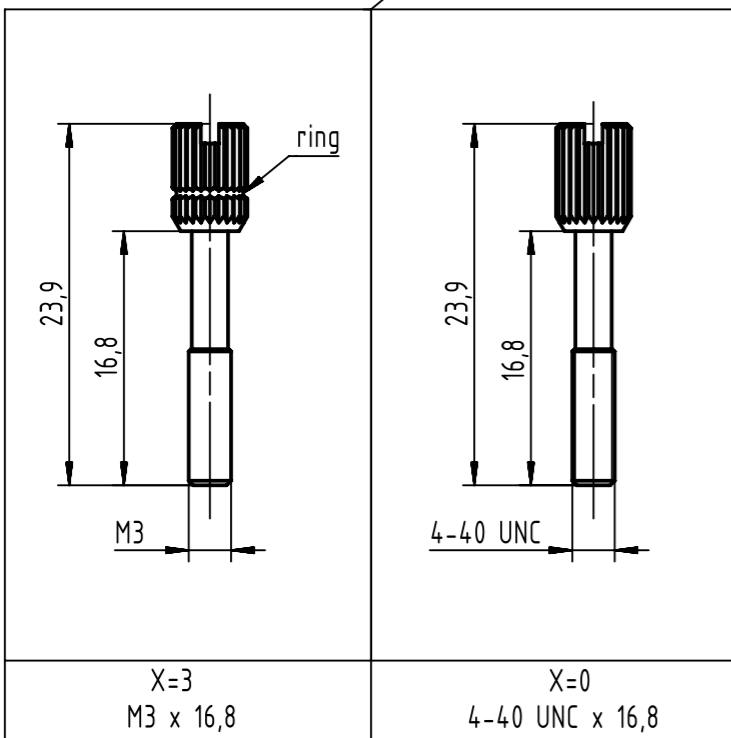
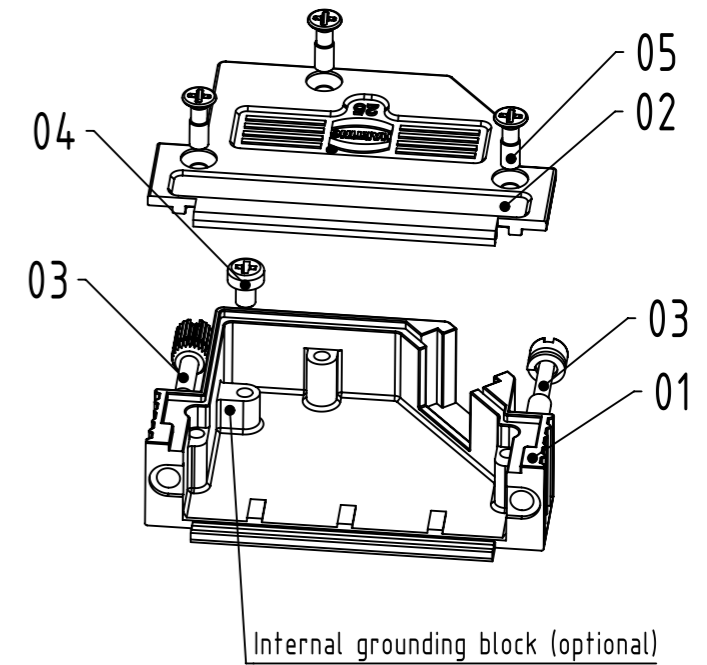
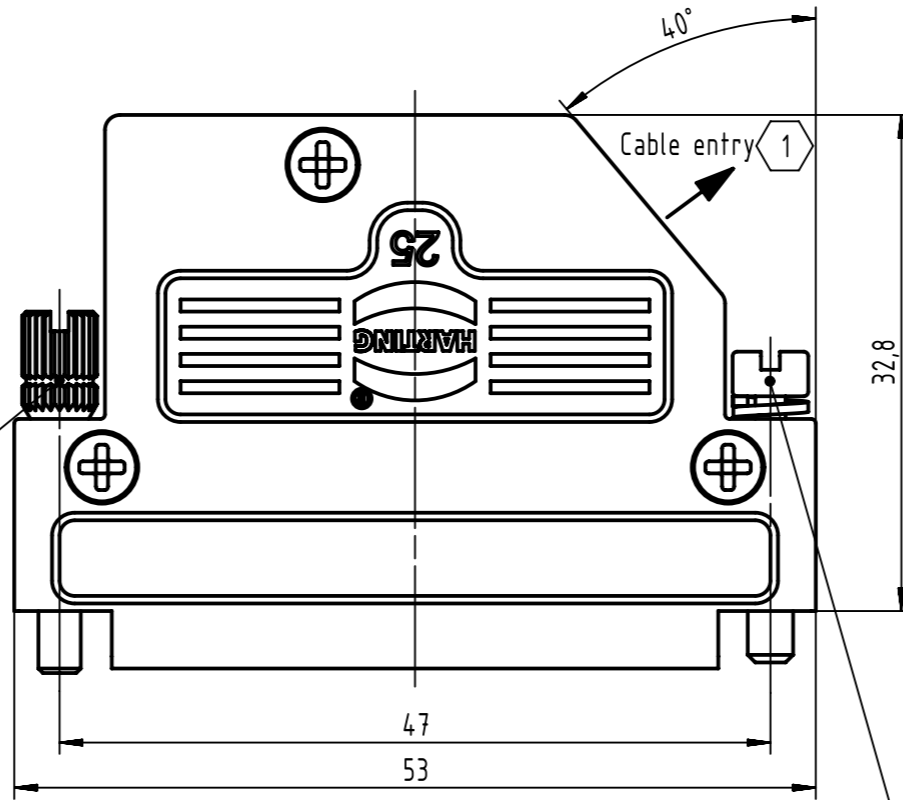


Hexagonal head screw driver
P/N: 6103 600 0021
for hexagonal head screw
max. torque=0,5Nm



1 For strain relief an additional InduCom cable or a crimp flange and ferrule combination depending on the cable is necessary

Content InduCom hood			Spare parts (MOQ100)	
Pos.	Quantity	Description	Part Number	Quantity
01	1	metal hood		
02	1	metal cover		
03	2	locking screw (assembled):		
		either knurled thumb screws 4-40 UNC (for 0015)	0967 002 9018	1
		or hexagonal M3 with captive washer (for 1015)	0967 002 9019	1
		or hexagonal 4-40 UNC with captive washer (for 2015)	0967 002 9020	1
		or knurled thumb screws M3 (for 3015)	0967 002 9017	1
04	1	grounding screw (assembled) for version with internal grounding block	0963 002 0007	1
05	3	cover screw M2,5 with philips head (not losable in cover)	0963 002 0006	1

6103 001 X015 YYY			
Part Number	Dim. B Screw size	Locking screw type	Identification for locking screw
6103 001 0015	4-40 UNC	Knurled thumb screw	Without ring
6103 001 1015	M3	Hexagonal screw with captive washer	1
6103 001 2015	4-40 UNC	Hexagonal screw with captive washer	3
6103 001 3015	M3	Knurled thumb screw	With ring
6103 001 0015 010	4-40 UNC	Knurled thumb screw	Without ring
6103 001 1015 010	M3	Hexagonal screw with captive washer	1
6103 001 2015 010	4-40 UNC	Hexagonal screw with captive washer	3
6103 001 3015 010	M3	Knurled thumb screw	With ring
			Internal grounding block

All Dimensions in mm Original Size DIN A3		Scale 2:1	Free size tol.	Ref.
All rights reserved Department EL PD		Created by HUK	Inspected by WANGSTE	Standardisation HOFFMANN
Date 2019-08-26		State Final Release		
Title InduCom 25P 40° entry hood assembly			Doc-Key / ECM-Nr. 100662225/UGD/002/B 500000157192	
HARTING Electronics GmbH D-32339 Espelkamp		Type TB	Number 6103001X015	Rev. B
				Page 1/1