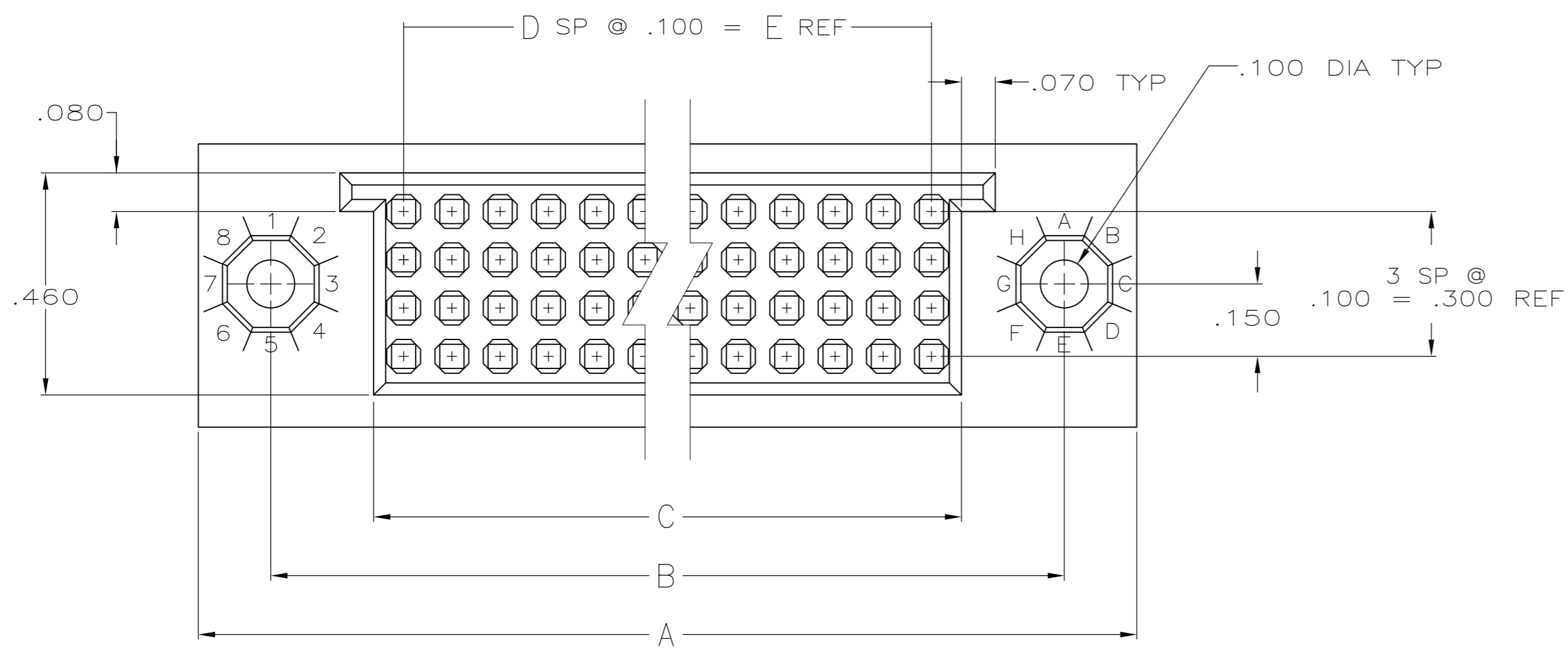
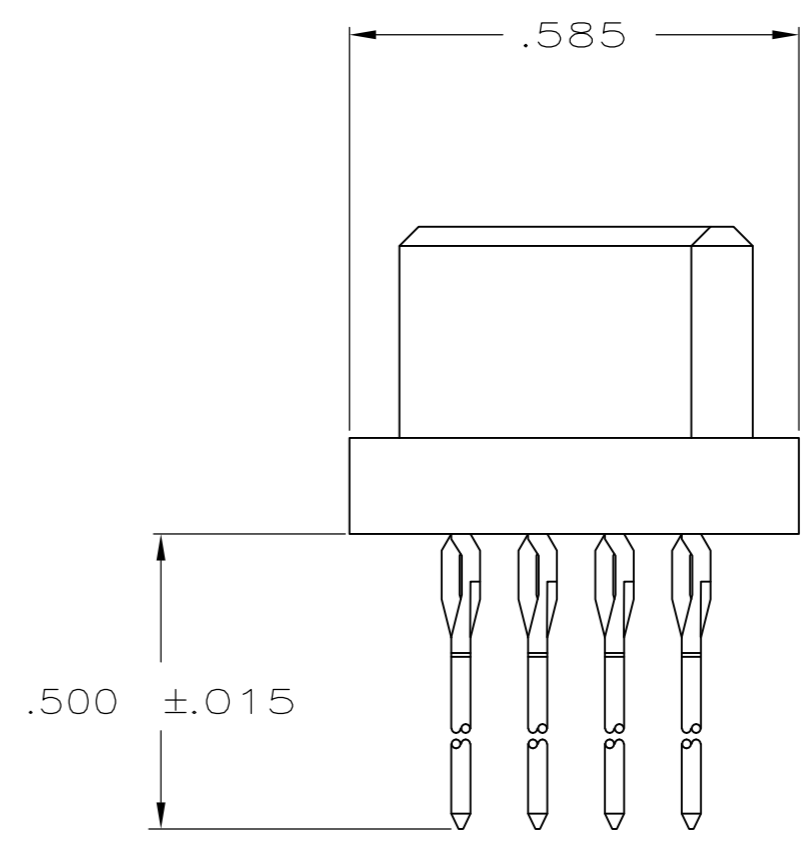
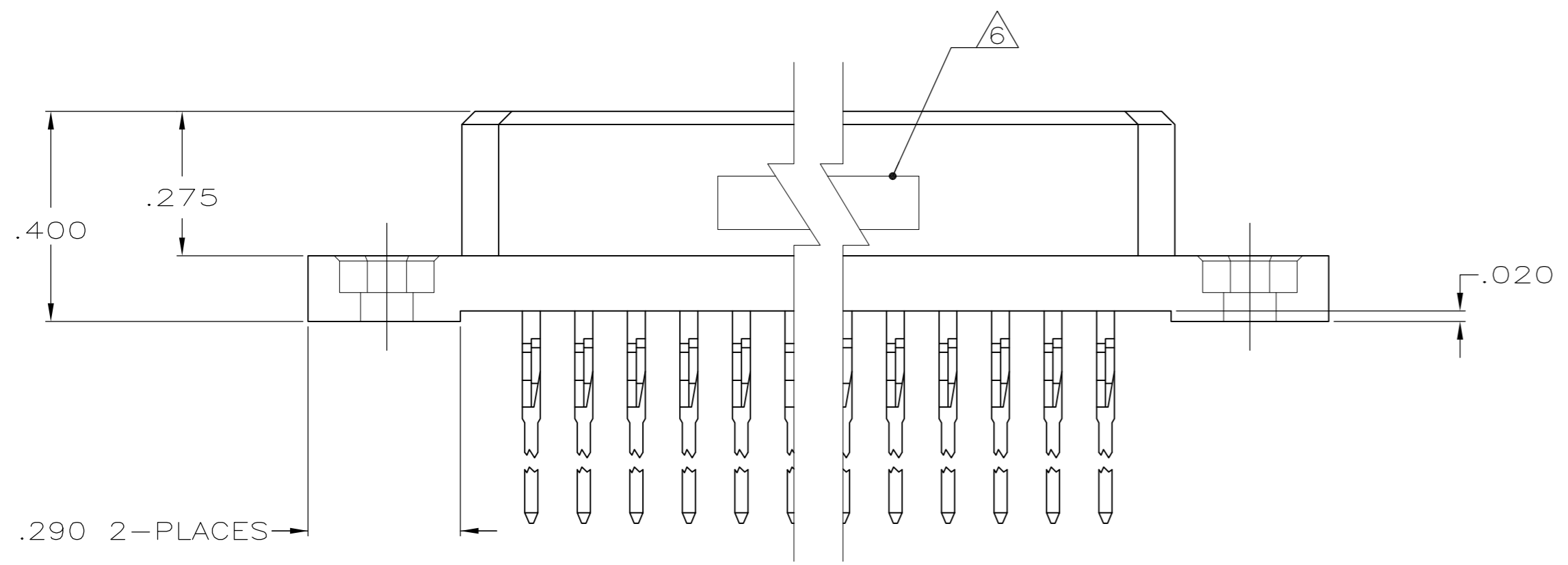


THIS DRAWING IS UNPUBLISHED. RELEASED FOR PUBLICATION  
 © COPYRIGHT - By - ALL RIGHTS RESERVED.

LOC		DIST		REVISIONS			
P	LTR	DESCRIPTION	DATE	DWN	APVD		
R		REV PER ECO 11-011021	13JUN11	PY	DM		



OBSOLETE



THIS DRAWING IS A CONTROLLED DOCUMENT.		DWN R. SEIFRIED 1/29/85																				
DIMENSIONS: INCHES		CHK G. STEINHAUER 6/5/87																				
TOLERANCES UNLESS OTHERWISE SPECIFIED:		APVD E. PARSONS 6/5/87	NAME																			
<table border="0"> <tr><td>0 PLC</td><td>±</td><td>-</td></tr> <tr><td>1 PLC</td><td>±</td><td>-</td></tr> <tr><td>2 PLC</td><td>±</td><td>-</td></tr> <tr><td>3 PLC</td><td>±</td><td>.005</td></tr> <tr><td>4 PLC</td><td>±</td><td>-</td></tr> <tr><td>ANGLES</td><td>±</td><td>-</td></tr> </table>		0 PLC	±	-	1 PLC	±	-	2 PLC	±	-	3 PLC	±	.005	4 PLC	±	-	ANGLES	±	-	PRODUCT SPEC	RECEPTACLE CONNECTOR WITH .500 LONG ACTION PIN POSTS, 4-ROW, SPECIAL PLATING	
0 PLC	±	-																				
1 PLC	±	-																				
2 PLC	±	-																				
3 PLC	±	.005																				
4 PLC	±	-																				
ANGLES	±	-																				
MATERIAL		APPLICATION SPEC	SIZE	CAGE CODE	DRAWING NO	RESTRICTED TO																
FINISH		WEIGHT	A2	00779	C=533656	-																
		CUSTOMER DRAWING	SCALE	SHEET	REV																	
			4:1	1 of 2	R																	

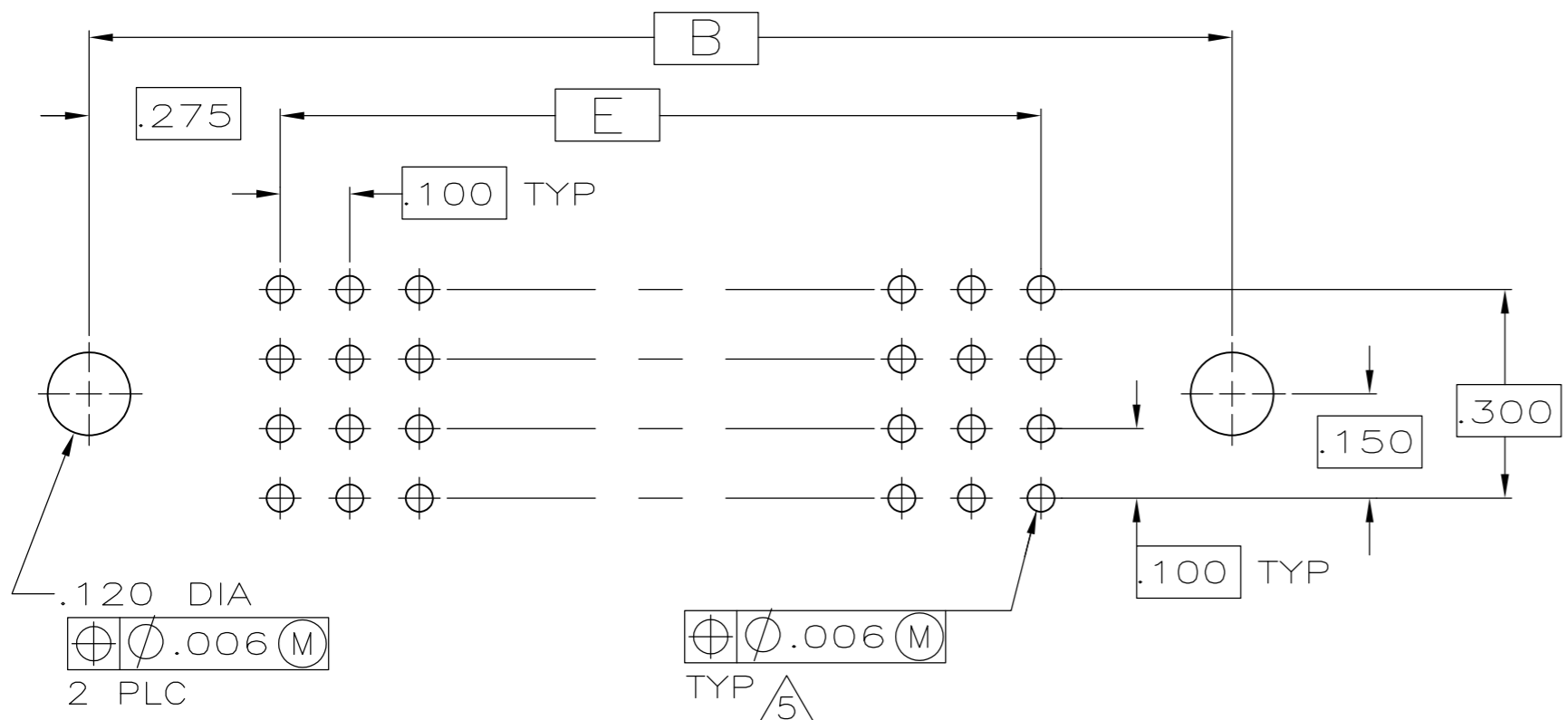
533656

THIS DRAWING IS UNPUBLISHED. RELEASED FOR PUBLICATION  
 © COPYRIGHT - By - ALL RIGHTS RESERVED.

LOC		DIST		REVISIONS			
P	LTR	DESCRIPTION	DATE	DWN	APVD		
-	-	SEE SHEET 1	-	-	-		

- 1 HSG MATL: POLYPHENYLENE SULFIDE, COLOR-NATURAL (BROWN).
- 2 POST MATL: PHOSPHOR BRONZE.
- 3 POST FINISH: .000050-.000100 NICKEL UNDERPLATE ALL OVER.  
.000030 GOLD IN CONTACT AREA AND LOWER .200 OF POSTS.  
GOLD FLASH ON REMAINDER.
- 4. FOR CONNECTORS USED IN STACKING APPLICATIONS, .125 NOMINAL THICK PRINTED CIRCUIT BOARD SHOULD BE USED.
- 5 ACTION PIN POSTS REQUIRE .093 MIN THK PC BOARD.  
RECOMMENDED PC BOARD HOLES ARE .0453 DIA PLATED THROUGH WITH .001-.003 COPPER AND .0003 MIN TIN-LEAD PLATING.  
FINISHED HOLE AFTER PLATING, .037-.043 DIA.
- 6 TE, PART NO. & DATE CODE MARKED IN THIS APPROXIMATE AREA.

OBSOLETE



OBSOLETE	4.100	41	4.224	4.650	4.950	168	1-533656-3
OBSOLETE	7.400	74	7.524	7.950	8.250	300	1-533656-2
OBSOLETE	6.900	69	7.024	7.450	7.750	280	1-533656-1
OBSOLETE	6.400	64	6.524	6.950	7.250	260	1-533656-0
OBSOLETE	5.900	59	6.024	6.450	6.750	240	533656-9
OBSOLETE	5.400	54	5.524	5.950	6.250	220	533656-8
OBSOLETE	4.900	49	5.024	5.450	5.750	200	533656-7
OBSOLETE	4.400	44	4.524	4.950	5.250	180	533656-6
OBSOLETE	3.900	39	4.024	4.450	4.750	160	533656-5
OBSOLETE	3.400	34	3.524	3.950	4.250	140	533656-4
OBSOLETE	3.100	31	3.224	3.650	3.950	128	533656-3
OBSOLETE	2.900	29	3.024	3.450	3.750	120	533656-2
OBSOLETE	2.400	24	2.524	2.950	3.250	100	533656-1
	E	D	C	B	A	POSN	PART NO

THIS DRAWING IS A CONTROLLED DOCUMENT.		DWN R. SEIFRIED 1/29/85																				
DIMENSIONS: INCHES		CHK G. STEINHAUER 6/5/87																				
TOLERANCES UNLESS OTHERWISE SPECIFIED:		APVD E. PARSONS 6/5/87	NAME																			
<table border="0"> <tr><td>0 PLC</td><td>±</td><td>-</td></tr> <tr><td>1 PLC</td><td>±</td><td>-</td></tr> <tr><td>2 PLC</td><td>±</td><td>-</td></tr> <tr><td>3 PLC</td><td>±</td><td>.005</td></tr> <tr><td>4 PLC</td><td>±</td><td>-</td></tr> <tr><td>ANGLES</td><td>±</td><td>-</td></tr> </table>		0 PLC	±	-	1 PLC	±	-	2 PLC	±	-	3 PLC	±	.005	4 PLC	±	-	ANGLES	±	-	PRODUCT SPEC	RECEPTACLE CONNECTOR WITH .500 LONG ACTION PIN POSTS, 4-ROW, SPECIAL PLATING	
0 PLC	±	-																				
1 PLC	±	-																				
2 PLC	±	-																				
3 PLC	±	.005																				
4 PLC	±	-																				
ANGLES	±	-																				
MATERIAL		APPLICATION SPEC	SIZE	CAGE CODE																		
FINISH		WEIGHT	A2	00779																		
		CUSTOMER DRAWING	DRAWING NO	RESTRICTED TO																		
		SCALE	4:1	SHEET																		
			2 of 2	REV																		
				R																		