

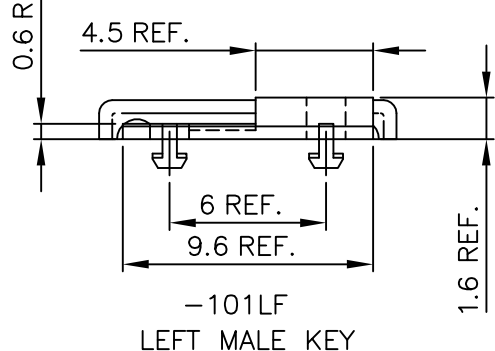
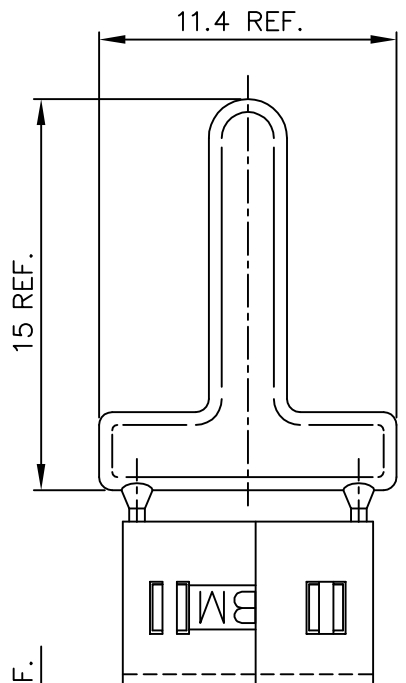
Tous droits strictement réservés. Reproduction ou communication o des tiers interdite sous quelque forme que ce soit sans autorisation écrite du propriétaire. © FCI b.v.



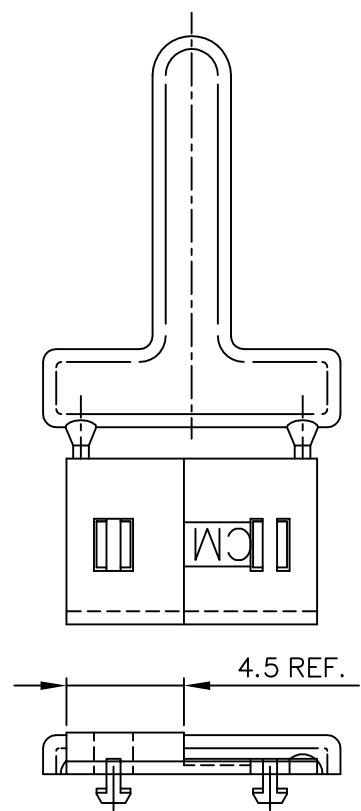
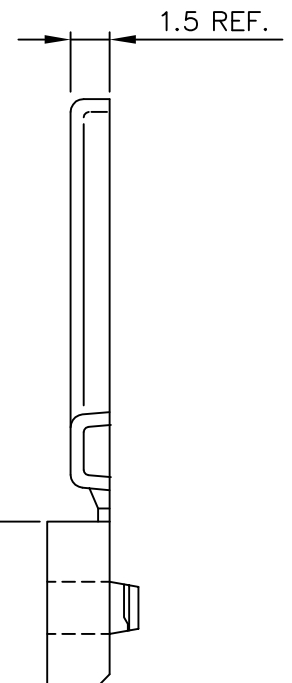
Reproduction or issue to third parties in any form, whatever is not permitted without written authority from the proprietor. © FCI b.v.

All rights strictly reserved. Reproduction or issue to third parties in any form, whatever is not permitted without written authority from the proprietor. © FCI b.v.

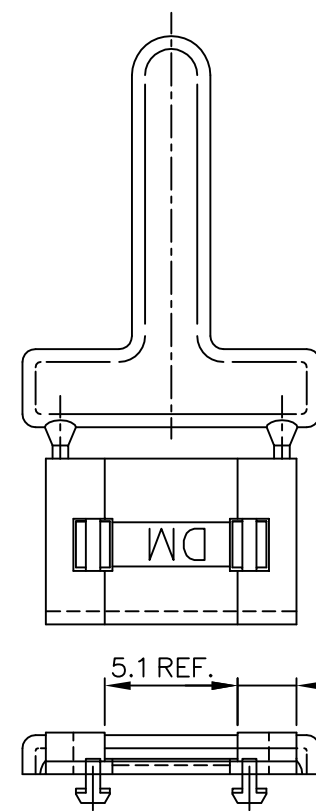
PRODUCT NUMBER 91289-10XLF



-101LF
LEFT MALE KEY



-102LF
RIGHT MALE KEY



-103LF
MIDDLE MALE KEY

NOTES:

- MATERIAL: LIQUID CRYSTAL POLYMER. FLAME RETARDANT ACC. UL 94-V0 30% GLASS FILLED, COLOR: SEE TABLE.
- PRODUCT TO BE DELIVERED TO THE CUSTOMER WITH THE RUNNER ATTACHED
- THIS PRODUCT WITH "LF" SUFFIX MEETS EUROPEAN UNION DIRECTIVES AND OTHER COUNTRY REGULATIONS AS DESCRIBED IN GS -22-008.
- THE PRODUCT IS NOT INTENDED TO BE EXPOSED TO A MANUFACTURING SOLDER PROCESS.

| PRODUCT NUMBER | COLOR |
|----------------|-------|
| 91289-101LF | BLUE |
| 91289-102LF | PINK |
| 91289-103LF | BROWN |

| | | | | | | | |
|---------------------------|-----------|--|--------|------------------|------------|--|--------|
| mat'l. code SEE NOTE 1 | | tolerances unless otherwise specified | | CUSTOMER COPY | | ELECTRONICS www.fciconnect.com | |
| ltr | ecn no | dr | date | linear | projection | title | |
| A | V41309 | RDO | 940729 | | | MALE HALF KEYS | |
| B | H40388 | RV | 940810 | angles | | product family | |
| C | H40583 | DDB | 940916 | | | CENTRAL (tm) | |
| D | bg05-0382 | Clu | 051011 | dr | D. de Bil | 940609 | code |
| | | | | engr | E. Feijen | 940729 | 213 |
| | | | | chr | G.S. Lee | 940609 | sheet |
| | | | | appd | G.S. Lee | 940609 | 1 of 1 |
| sheet index | revision | D | | | | | |
| | sheet | 1 | | | | | |