

**Specification Status: Released**

**Operating Conditions at 20°C:**

Maximum Continuous Operating Voltage ( $V_{mco}$ ): 240V<sub>ac</sub>

**Fault Ratings at 20°C:**

Maximum Limited Duration Voltage ( $V_{ldf}$ ): 415V<sub>rms</sub>  
Maximum Limited Duration Current ( $I_{ldf}$ ): 10A

**Insulating Material: Cured, Flame Retardant Epoxy Polymer (meeting UL94 V-0 requirements)**

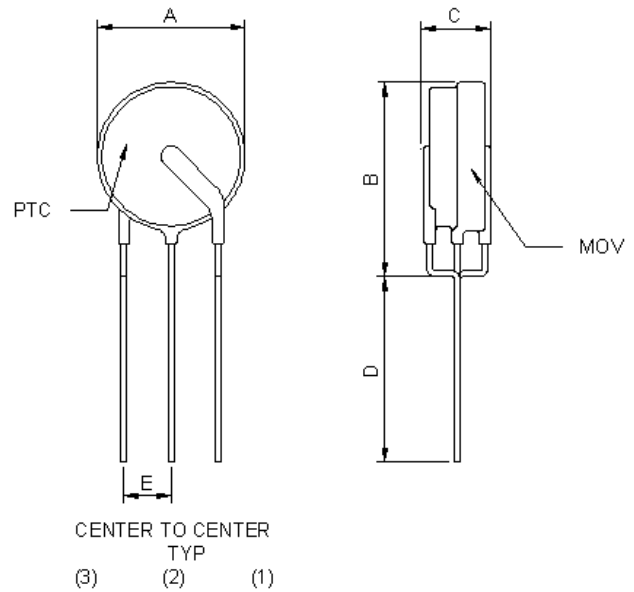
**Lead Material:**

22 AWG Sn-Plated Copper (0.64 mm [0.025"] nominal diameter)

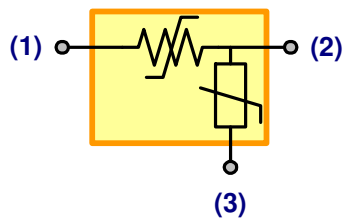
**Marking (on MOV side):**

- Manufacturer's Mark
- ⊗ B431 — Part Identification
- □ □ □ — Lot Identification

**FRONT VIEW**



**Electrical Schematic:**



**TABLE I. DIMENSIONS:**

|      | A   |        | B   |        | C   |        | D      |        | E      |
|------|-----|--------|-----|--------|-----|--------|--------|--------|--------|
|      | MIN | MAX    | MIN | MAX    | MIN | MAX    | MIN    | MAX    | NOM    |
| mm:  | --  | 16.0   | --  | 21.0   | --  | 7.4    | 3.0    | 5.0    | 2.5    |
| in.* | --  | (0.63) | --  | (0.83) | --  | (0.29) | (0.12) | (0.20) | (0.10) |

\*Rounded off approximation

**TABLE II. PPTC-SECTION (TERMINALS 1-2) PERFORMANCE RATINGS @ 20°C:**

| HOLD CURRENT (A) | TRIP CURRENT (A) | RESISTANCE (Ω)† |       |                     | TIME TO TRIP† (s) @ 7A |     |
|------------------|------------------|-----------------|-------|---------------------|------------------------|-----|
|                  |                  | R MIN           | R MAX | R <sub>1</sub> MAX* | TYP                    | MAX |
| 0.75             | 1.5              | 0.37            | 0.75  | 1.03                | 0.9                    | 1.2 |

\*Maximum device resistance at 20°C measured 1 hour post trip.

† Corresponds to operations below varistor switch voltage.

**TABLE III. MOV-SECTION (TERMINALS 2-3) PERFORMANCE RATINGS @ 20°C:**

| VARISTOR VOLTAGE @ 1mA |           | DC RESISTANCE @ 100V | MAXIMUM CLAMPING VOLTAGE @ 50A | RATED WATTAGE |
|------------------------|-----------|----------------------|--------------------------------|---------------|
| DC (V)                 | TOLERANCE | (MΩ)                 | (V)                            | (W)           |
| 430                    | ± 10 %    | >10                  | 710                            | 1.0           |

**TABLE IV. SURGE IMMUNITY FOR THE ASSEMBLY (TERMINALS 1-3) @ 20°C:**

| Parameter | VOLTAGE – Open Circuit |               | CURRENT – Short Circuit |               | Repetitions |
|-----------|------------------------|---------------|-------------------------|---------------|-------------|
|           | Voltage (V)            | Waveform (μs) | Current (A)             | Waveform (μs) |             |
|           | IEC / EN 61000-4-5     | 2000          | 1.2 x 50                | 1000          |             |

**APPLICABLE PART DESCRIPTIONS:**

| PART DESCRIPTION | PACKAGING | NOTES |
|------------------|-----------|-------|
| LVM2P-075R14431  | Bulk      | N/A   |

 Agency Recognitions:  
 Reference Documents:  
 Precedence:  
 Effectivity:  
 CAUTION:

 N/A  
 PS300 for PPTC section  
 This specification takes precedence over documents referenced herein.  
 Reference documents shall be the issue in effect on the date of invitation for bid.  
 Operation beyond the rated voltage or current may result in rupture, electrical arcing or flame.

## Materials Information

**ROHS Compliant**

 Directive 2002/95/EC  
 Compliant

**ELV Compliant**

 Directive 2000/53/EC  
 Compliant

**Pb-Free**




Expertise Applied | Answers Delivered

## 2Pro™ Device Series

**PRODUCT : LVM2P-075R14431**

DOCUMENT: SCD28425  
REV LETTER: B  
REV DATE: July 26,2016  
PAGE NO.: 3 OF 3

Littelfuse products are not designed for, and shall not be used for, any purpose (including, without limitation, automotive, military, aerospace, medical, life-saving, life-sustaining or nuclear facility applications, devices intended for surgical implant into the body, or any other application in which the failure or lack of desired operation of the product may result in personal injury, death, or property damage) other than those expressly set forth in applicable Littelfuse product documentation. Warranties granted by Littelfuse shall be deemed void for products used for any purpose not expressly set forth in applicable Littelfuse documentation. Littelfuse shall not be liable for any claims or damages arising out of products used in applications not expressly intended by Littelfuse as set forth in applicable Littelfuse documentation. The sale and use of Littelfuse products is subject to Littelfuse Terms and Conditions of Sale, unless otherwise agreed by Littelfuse