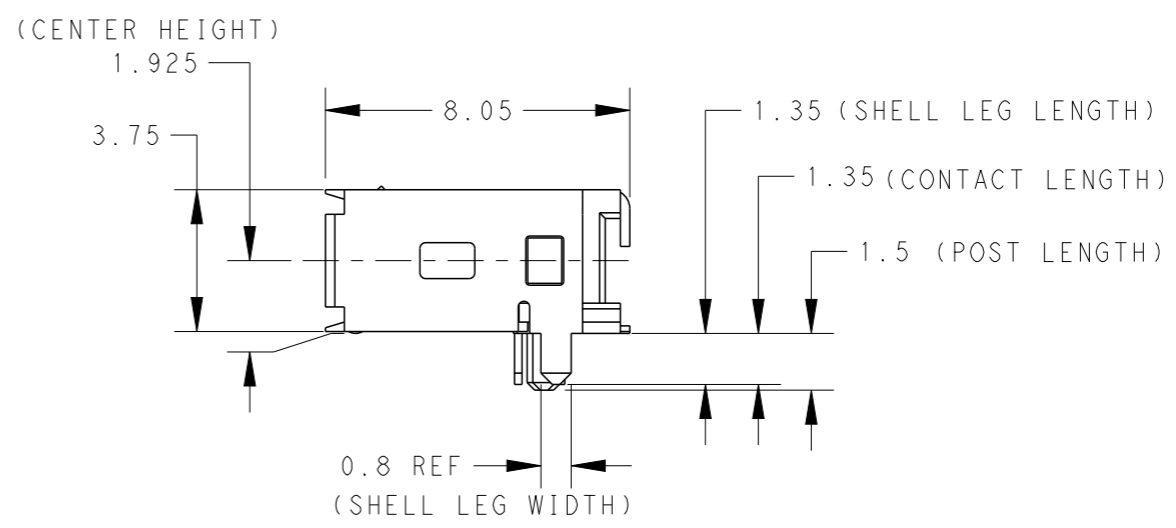
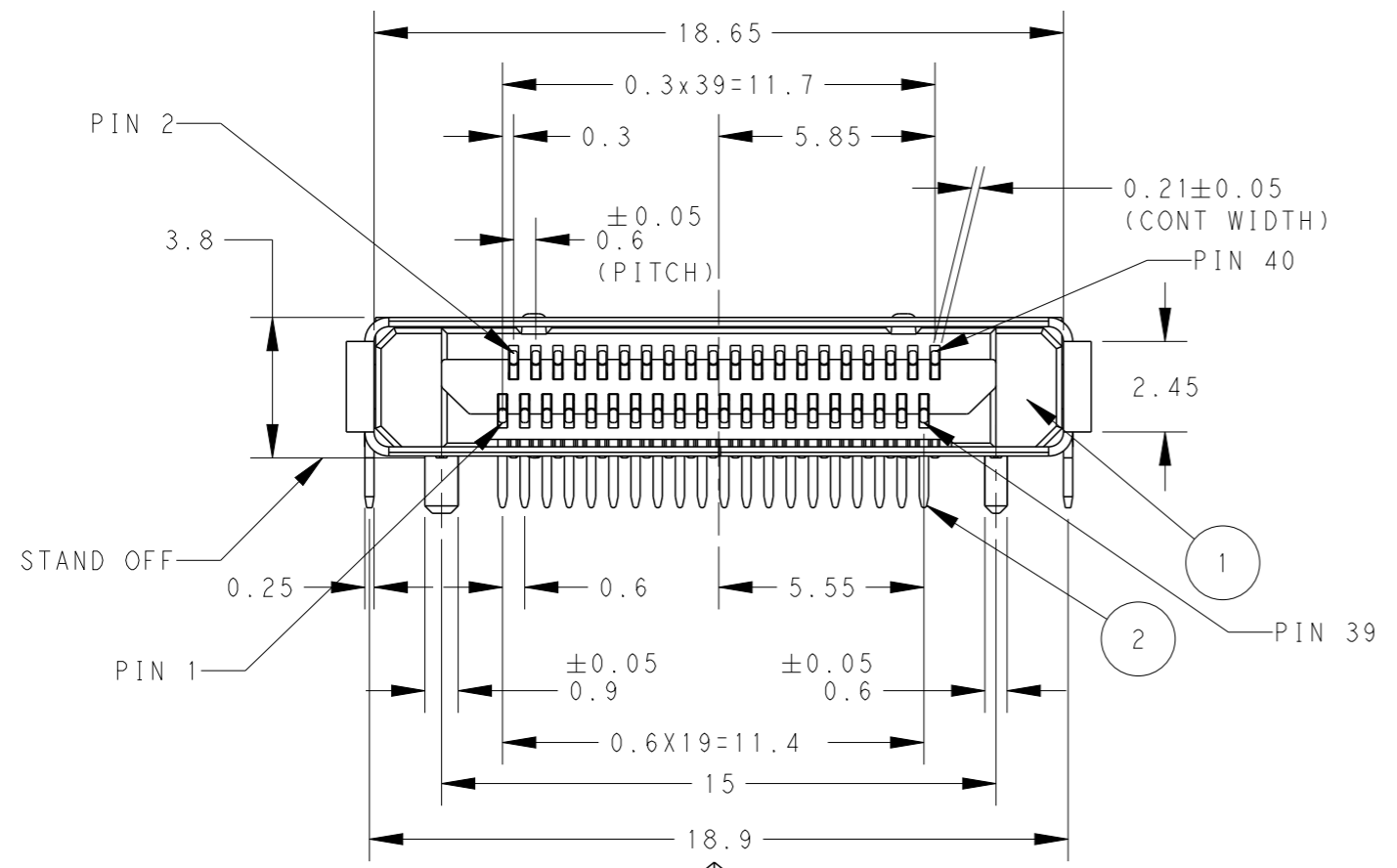
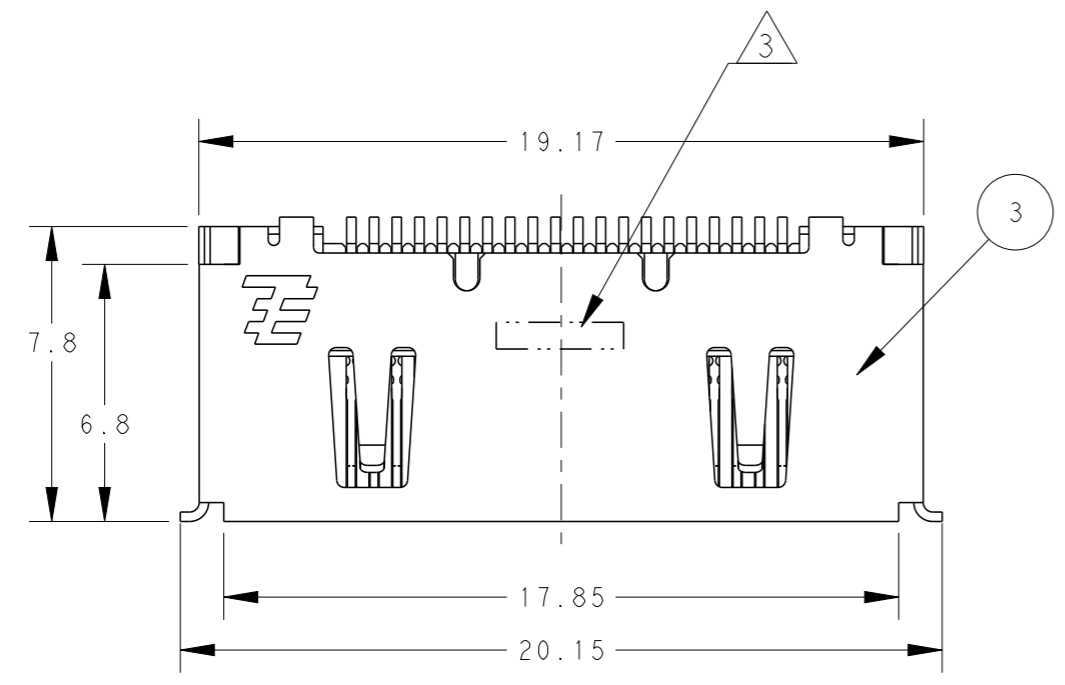
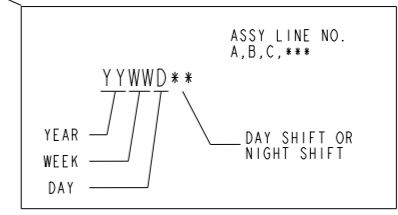


THIS DRAWING IS UNPUBLISHED. RELEASED FOR PUBLICATION 20  
 © COPYRIGHT 20 BY - ALL RIGHTS RESERVED.

LOC	DIST	REVISIONS			
P	LTR	DESCRIPTION	DATE	DWN	APVD
DW		1	RELEASED	22 JUN 11	P. H. H. K.

2129326-1; AS SHOWN

- ① MATERIAL: HOUSING: THERMO-PLASTIC(UL94V-0, BLACK).  
CONTACT: COPPER ALLOY.  
SHELL: COPPER ALLOY.
- ② FINISH:  
CONTACT: ALL OVER 2um MIN. Ni UNDER PLATING.  
0.38um MIN. Au PLATING ON CONTACT AREA.  
1~3um Tin PLATING ON TINE AREA.  
SHELL: ALL OVER 1.3um MIN. Ni UNDER PLATING.
- ③ DATE CODE



Q'TY	NAME	ITEM
1	SHELL	③
40	CONTACT	②
1	HOUSING	①

VIEW G

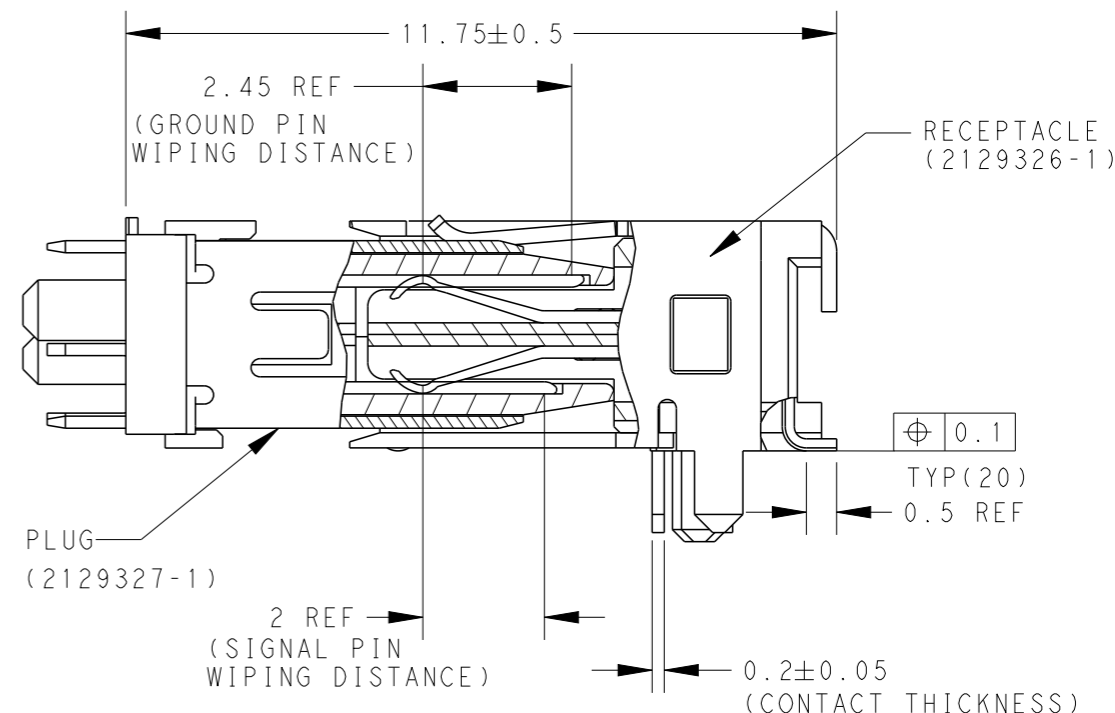
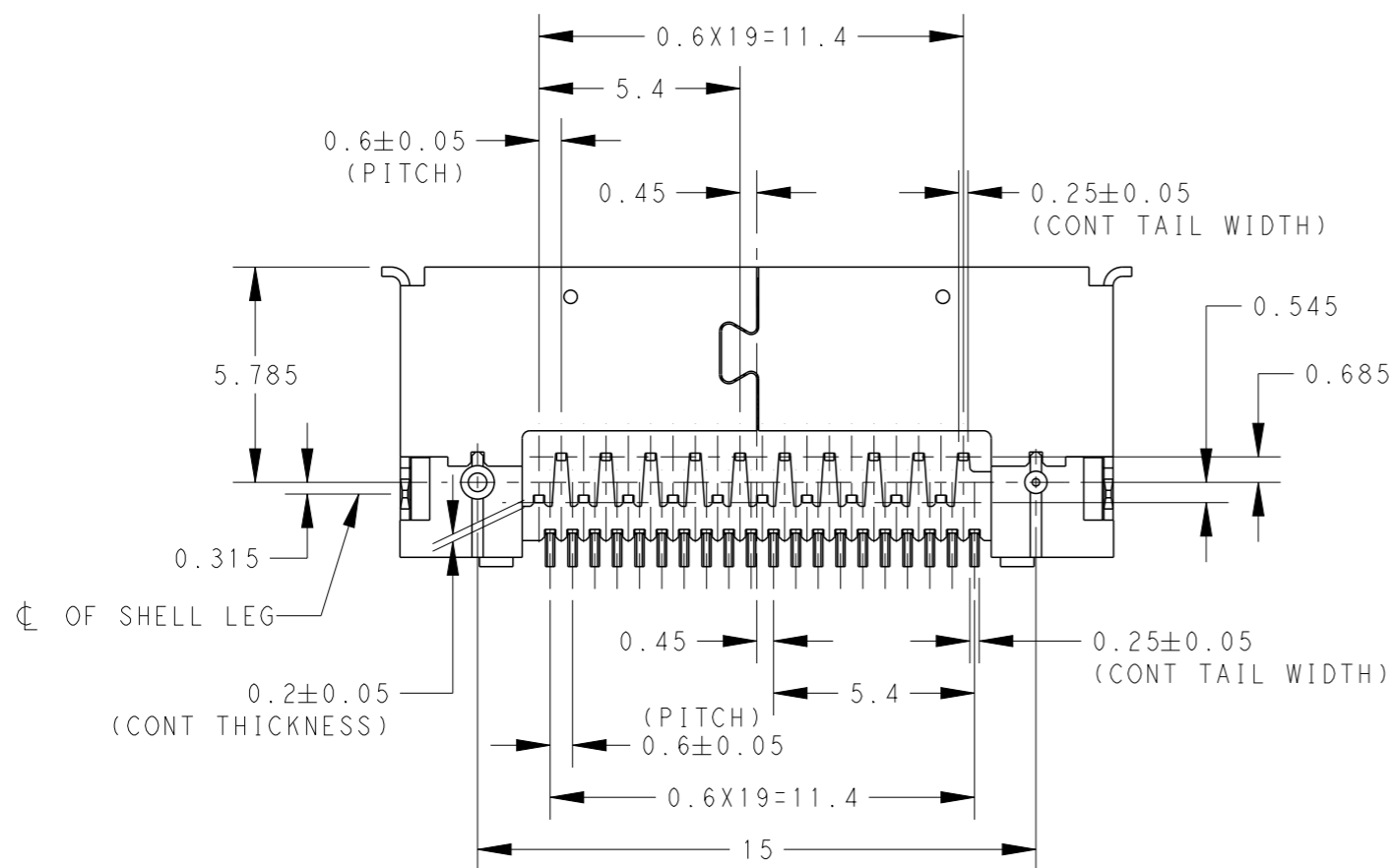
THIS DRAWING IS A CONTROLLED DOCUMENT.		DWN P.HSU 01APR2011	TE Connectivity		
DIMENSIONS: mm		CHK W.CHEN 01APR2011			
TOLERANCES UNLESS OTHERWISE SPECIFIED:		APVD H.KODAMA 01APR2011	NAME RECEPTACLE ASSY, 0.6mm PITCH CHAMP DOCKING CONNECTOR, 40POS		
0 PLC ±- 1 PLC ±- 2 PLC ±- ±0.25 3 PLC ±- 4 PLC ±- ANGLES ±3° FINISH -		PRODUCT SPEC -	RESTRICTED TO		
MATERIAL -		APPLICATION SPEC -	SIZE A3	CAGE CODE 00779	DRAWING NO C-2129326
		WEIGHT 1.44	SCALE 5:1 SHEET 1 OF 4 REV A		
		CUSTOMER DRAWING			

LOC  
DW

DIST

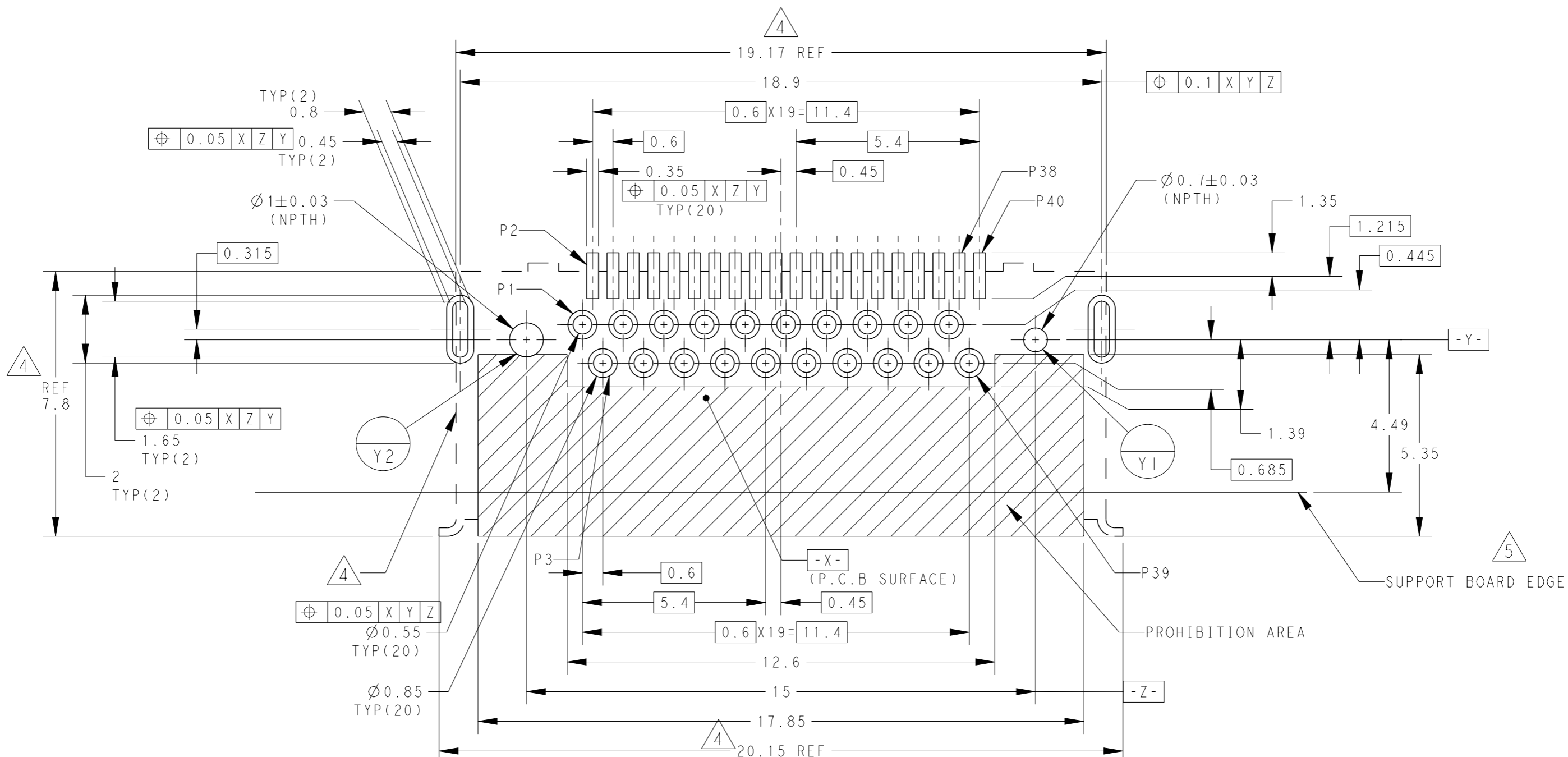
REVISIONS

P	LTR	DESCRIPTION	DATE	DWN	APVD
-	-	SEE SHEET 1	-	-	-



THIS DRAWING IS A CONTROLLED DOCUMENT.		DWN	 TE Connectivity			
DIMENSIONS: mm		CHK				
TOLERANCES UNLESS OTHERWISE SPECIFIED:		APVD				
0 PLC ± 1 PLC ±± 2 PLC ±± ±0.25 3 PLC ±± 4 PLC ±± ANGLES ±3° FINISH -		PRODUCT SPEC				
MATERIAL		APPLICATION SPEC	NAME RECEPTACLE ASSY, 0.6mm PITCH CHAMP DOCKING CONNECTOR, 40POS			
		WEIGHT	SIZE	CAGE CODE	DRAWING NO	RESTRICTED TO
		CUSTOMER DRAWING	A3	00779	C-2129326	-
			SCALE	SHEET	OF	REV
			5:1	2	4	A

P	LTR	DESCRIPTION	DATE	DWN	APVD
-	-	SEE SHEET 1	-	-	-



RECOMMENDED P.C. BOARD LAYOUT (TOP VIEW)

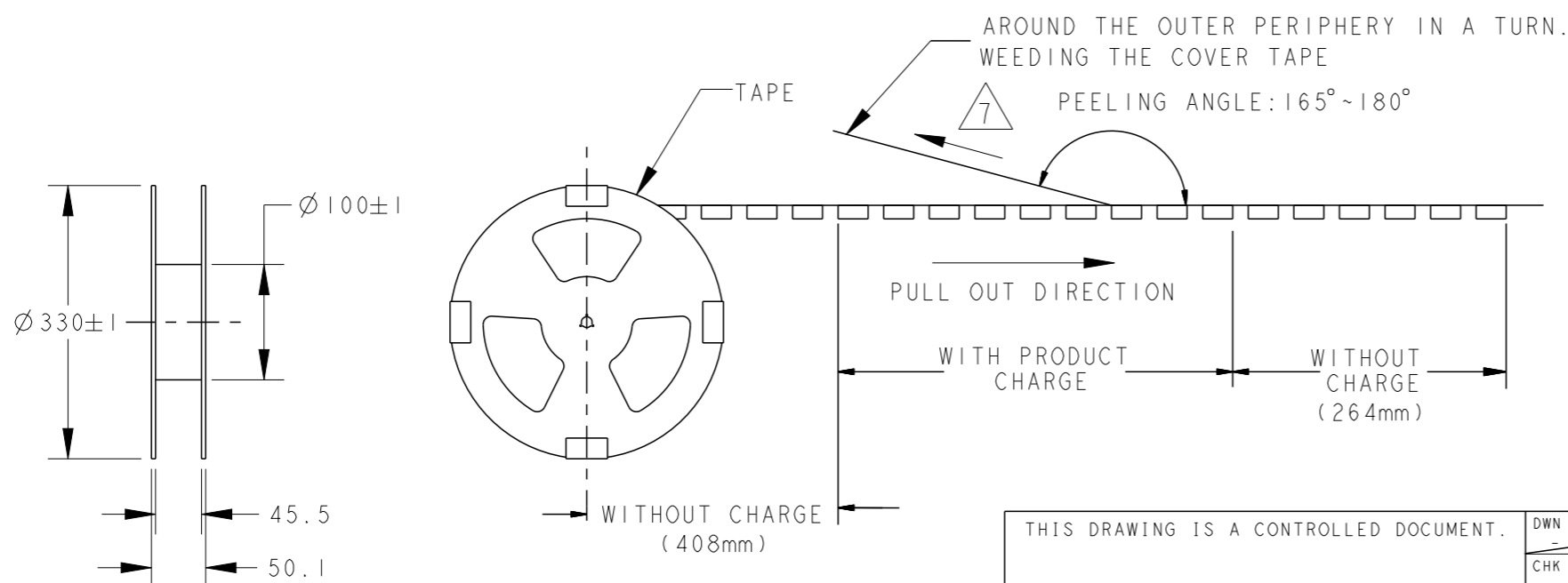
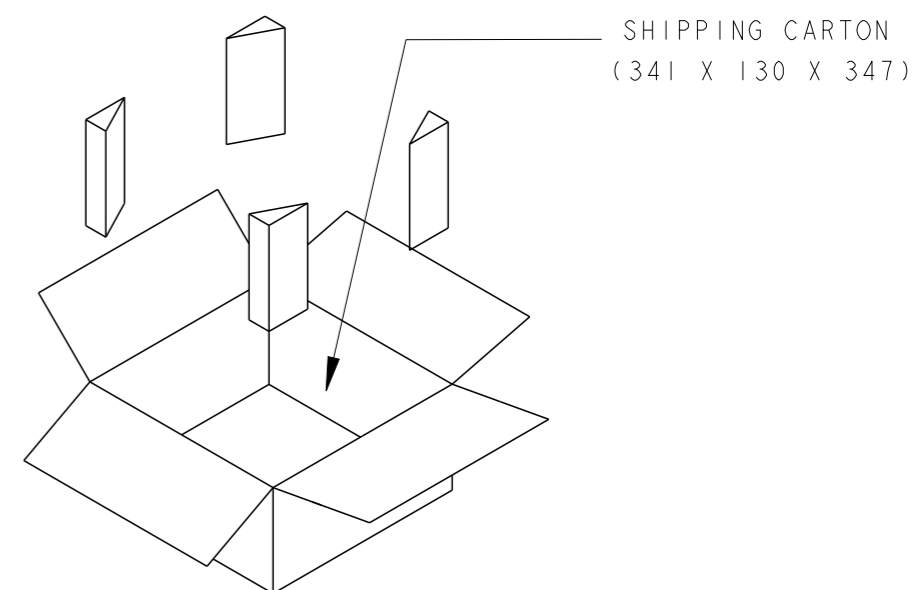
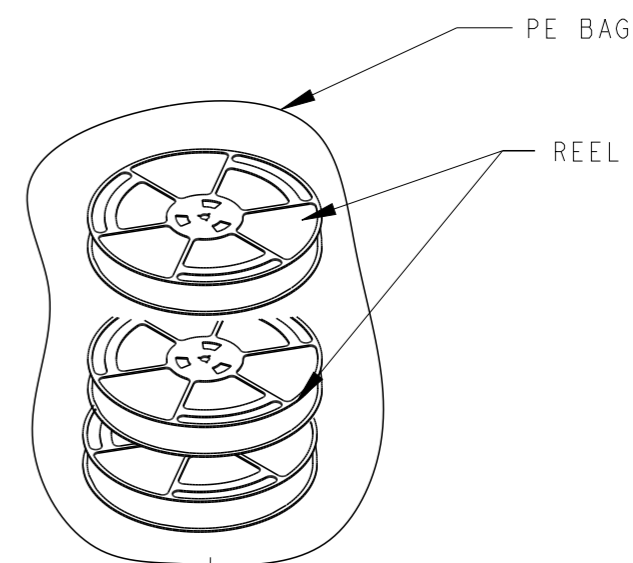
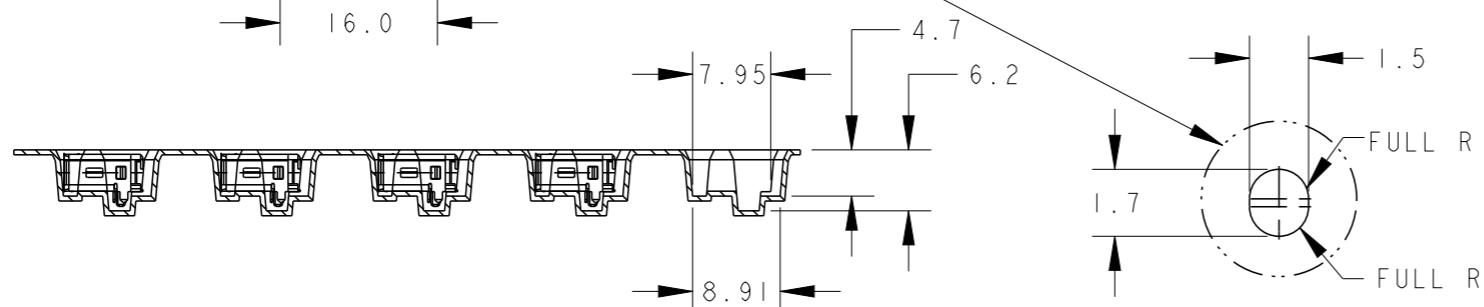
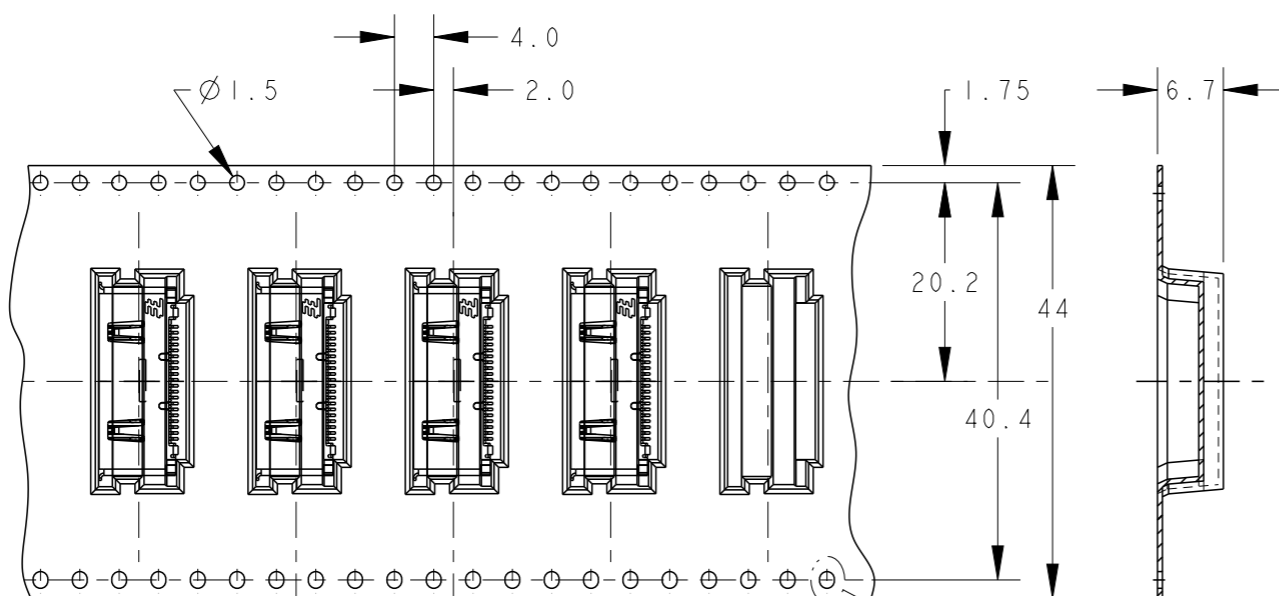
4 CONNECTOR OUTLINE  
 5 SUPPORT BOARD EDGE

THIS DRAWING IS A CONTROLLED DOCUMENT.		DWN	-	
DIMENSIONS: mm		CHK	-	
TOLERANCES UNLESS OTHERWISE SPECIFIED:		APVD	-	
0 PLC ±		PRODUCT SPEC	-	
1 PLC ± ±0.05		APPLICATION SPEC	-	
2 PLC ±		WEIGHT	-	
3 PLC ±		CUSTOMER DRAWING	-	
4 PLC ±		SCALE	5:1	
ANGLES ±3°		SHEET	3 OF 4	
FINISH		REV	A	
MATERIAL		SIZE	A3	
		CAGE CODE	00779	
		DRAWING NO	C-2129326	
		RESTRICTED TO	-	



NAME  
 RECEPTACLE ASSY, 0.6mm PITCH  
 CHAMP DOCKING CONNECTOR, 40POS

P	LTR	DESCRIPTION	DATE	DWN	APVD
-	-	SEE SHEET 1	-	-	-



6. PACKING MATERIAL:  
 CARRY TAPE: PS; COLOR: BLACK.  
 COVER TAPE: PET; COLOR: CLEAR.  
 PEELING STRENGTH OF COVER TAPE: 0.2N~1.2N.

P/N	PCS/TAPE	REELS/CARTON	TOTAL QUANTITY
2129326-1	600	2	1200

THIS DRAWING IS A CONTROLLED DOCUMENT.		DWN	-
DIMENSIONS: mm		CHK	-
TOLERANCES UNLESS OTHERWISE SPECIFIED:		APVD	-
0 PLC	±	PRODUCT SPEC	-
1 PLC	±	APPLICATION SPEC	-
2 PLC	±	WEIGHT	-
3 PLC	± 0.5		
4 PLC	±		
ANGLES	±3°		
MATERIAL	-		
FINISH	-		

DWN		-	
CHK		-	
APVD		-	
PRODUCT SPEC		-	
APPLICATION SPEC		-	
WEIGHT		-	
CUSTOMER DRAWING		-	
SCALE 5:1		SHEET 4 OF 4	
REV A		-	



NAME  
 RECEPTACLE ASSY, 0.6mm PITCH  
 CHAMP DOCKING CONNECTOR, 40POS

SIZE	CAGE CODE	DRAWING NO	RESTRICTED TO
------	-----------	------------	---------------

A300779 C-2129326