

PART NUMBER

KAD177424

REV.

DATE

COMMENTS

INITIAL

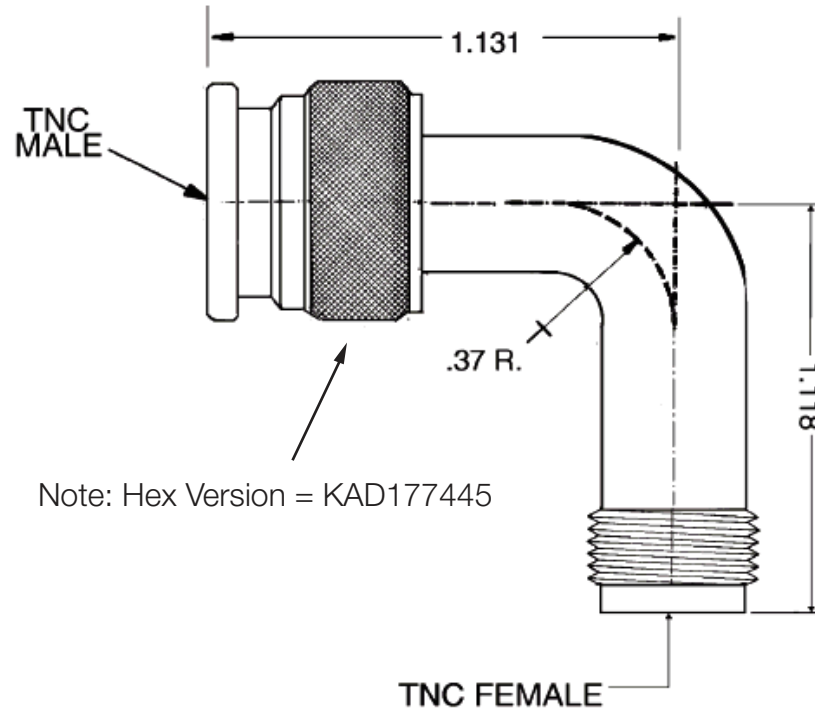
Electrical Data

Impedance 50 Ω
 Frequency Range DC - 18 GHz.
 VSWR 1.20:1 @ DC-11 GHz
 1.30:1 @ 11-18 GHz

Standards

Mating Dimemnsions in Accordance with
 MIL-STD-348

RoHS Compliant



Drawing not to scale. Dimensions for reference only

Units: inches (mm)

Konnect RF

WWW.KONNECTRF.COM
 1-800-790-5887

PART NUMBER

KAD177424

DESCRIPTION

Precision Adapter, In-Series, TNC Radius Right Angle Male Plug to Female Jack, Knurl

CAGE CODE

664U0

SIGNATURE

X

THIS DRAWING INCLUDING THE
 DESIGNS IS THE PROPERTY OF
 KONNECT RF AND IS NOT TO
 BE USED FOR ANY PURPOSE
 WITHOUT OUR APPROVAL.

Component

Body, Coupling Nut

Material

Stainless Steel Per
 QQ-S-764 Type 303
 BeCu Per QQ-C-530

Plating/Finish

Passivated Per
 QQ-P-35
 Gold Per MIL-G-45204:
 Type II, Class 2, Over
 Copper MIL-C-14550,
 Class 4

Insulator

PTFE Per MIL-P-1946BA