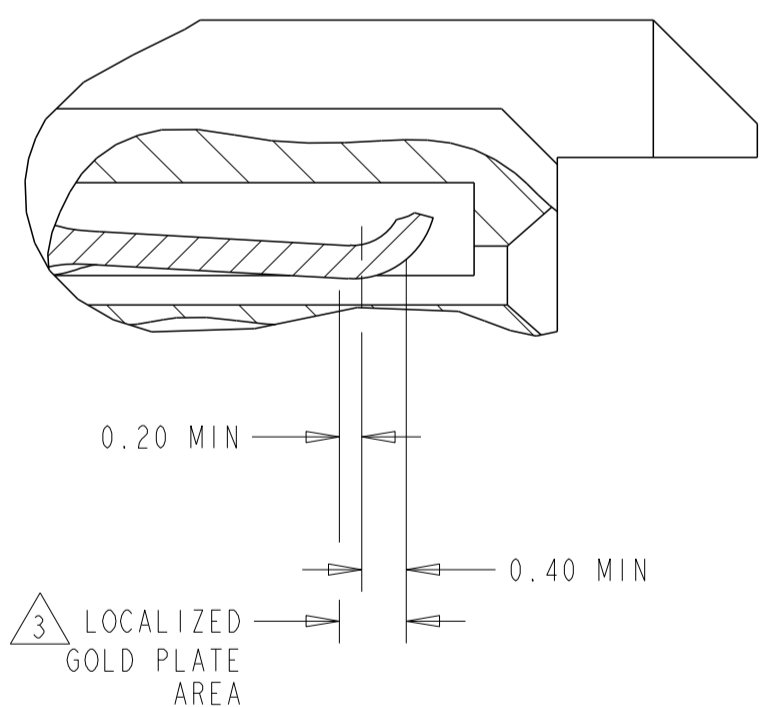
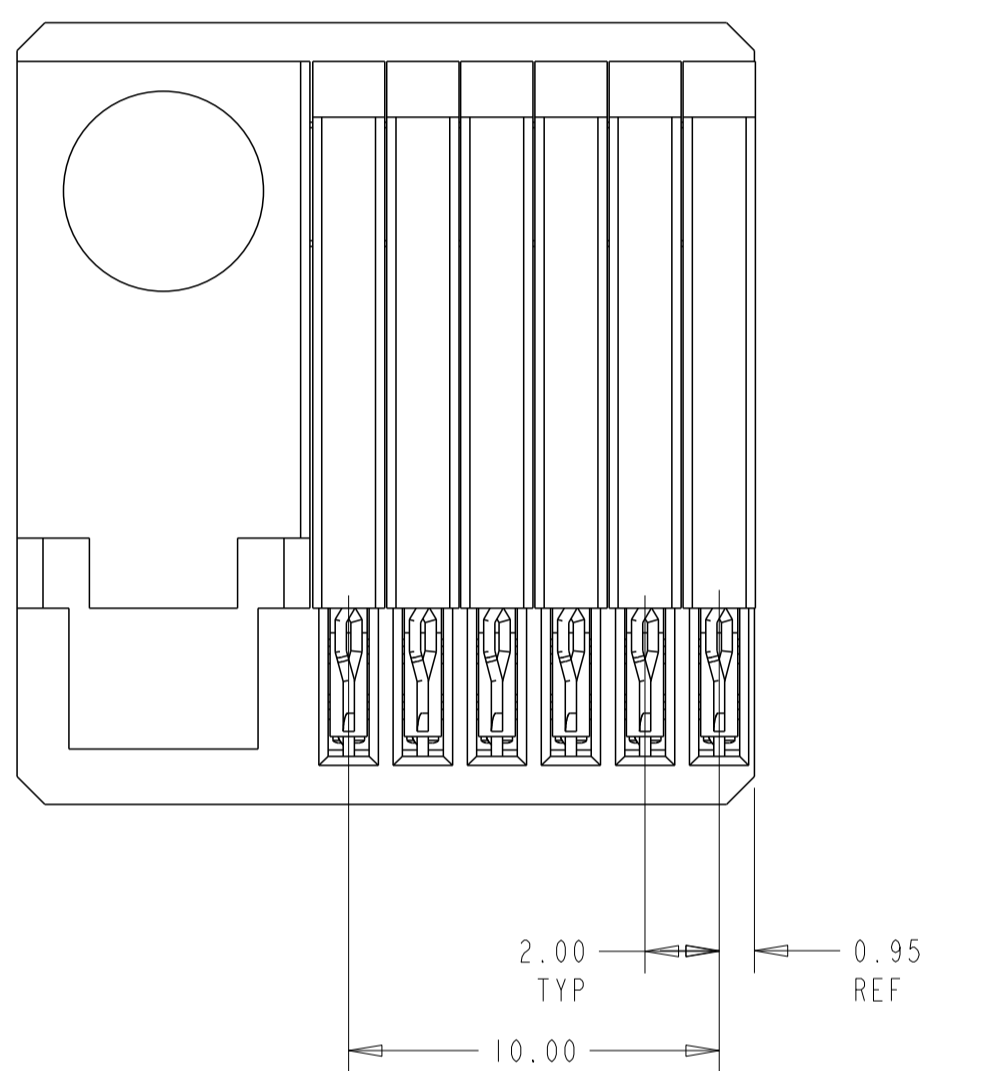
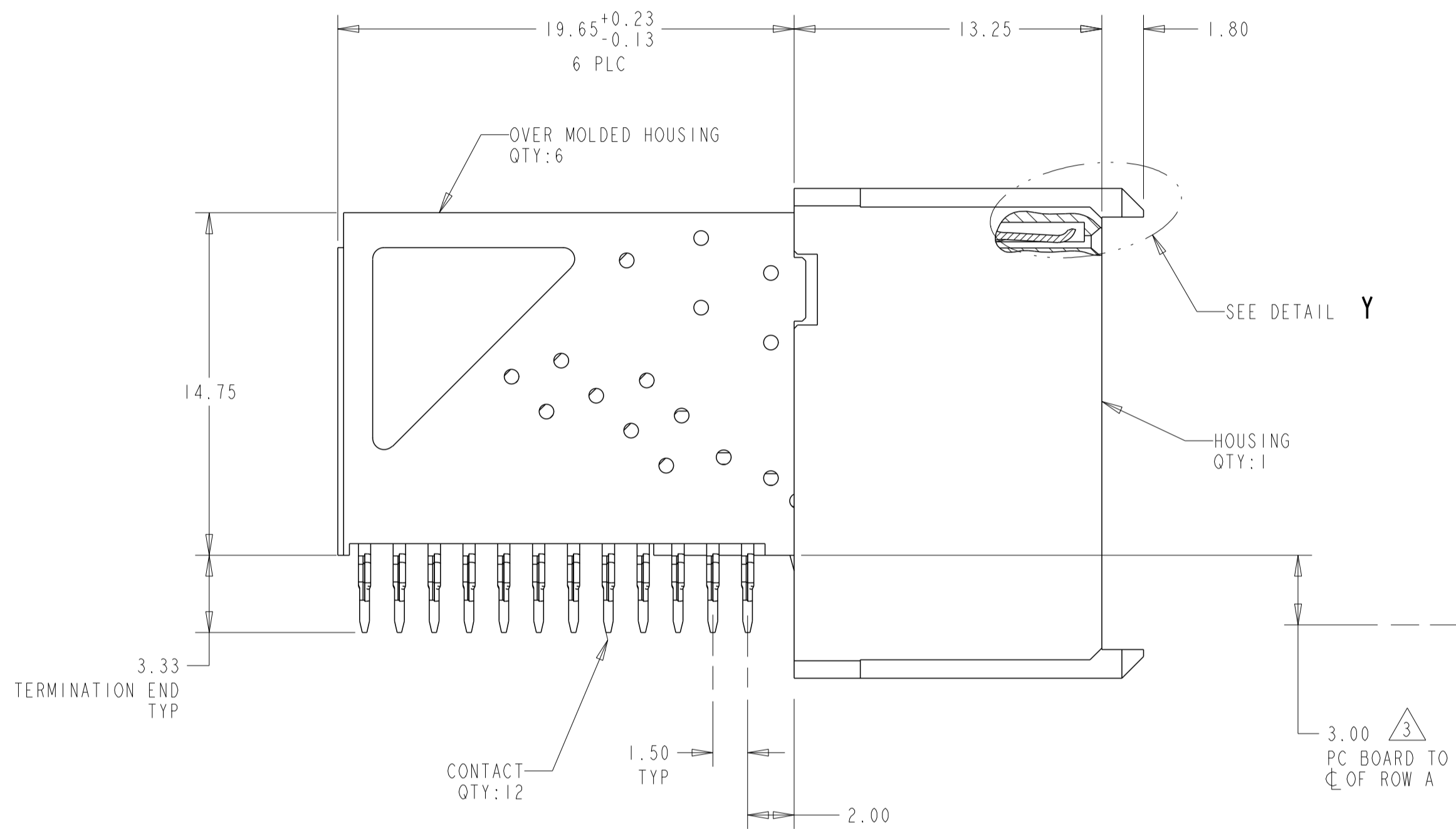
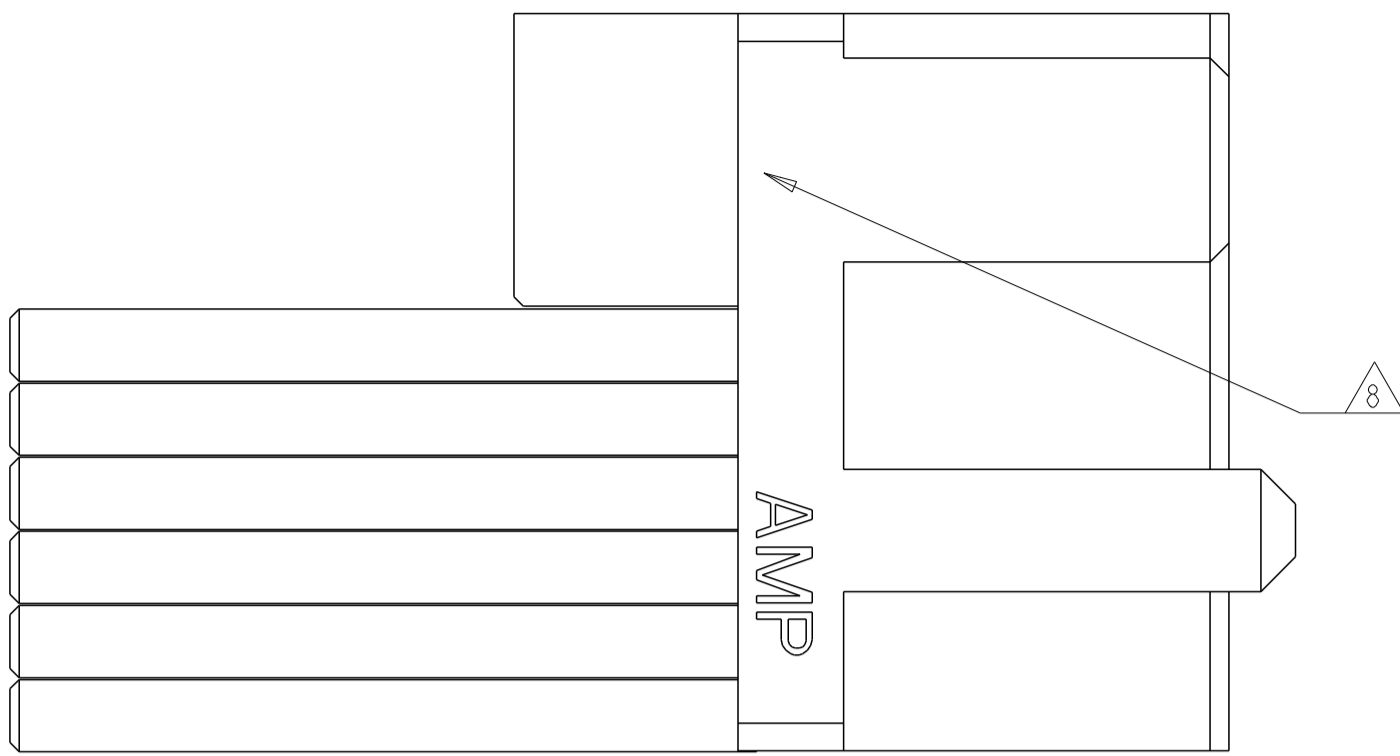
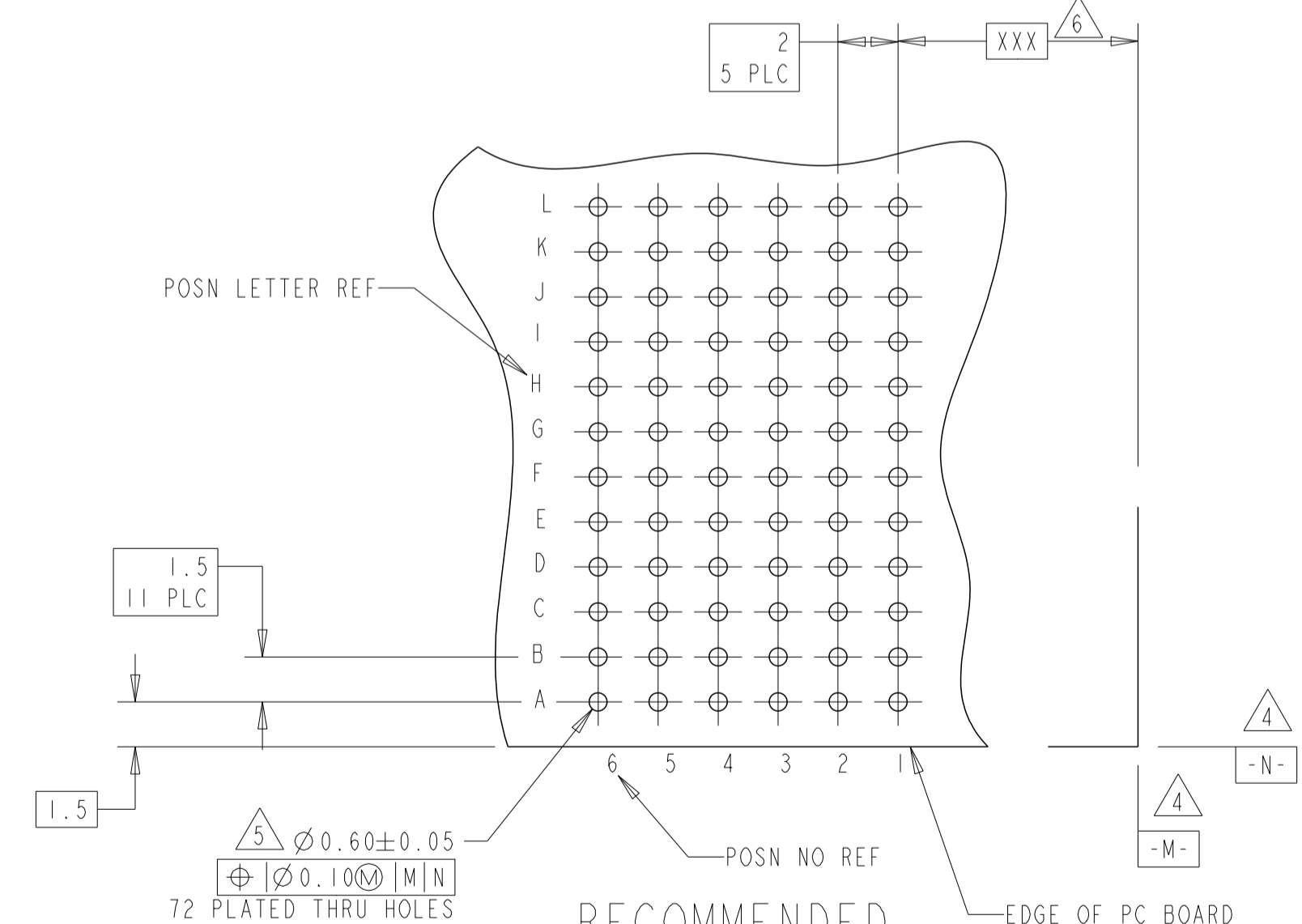
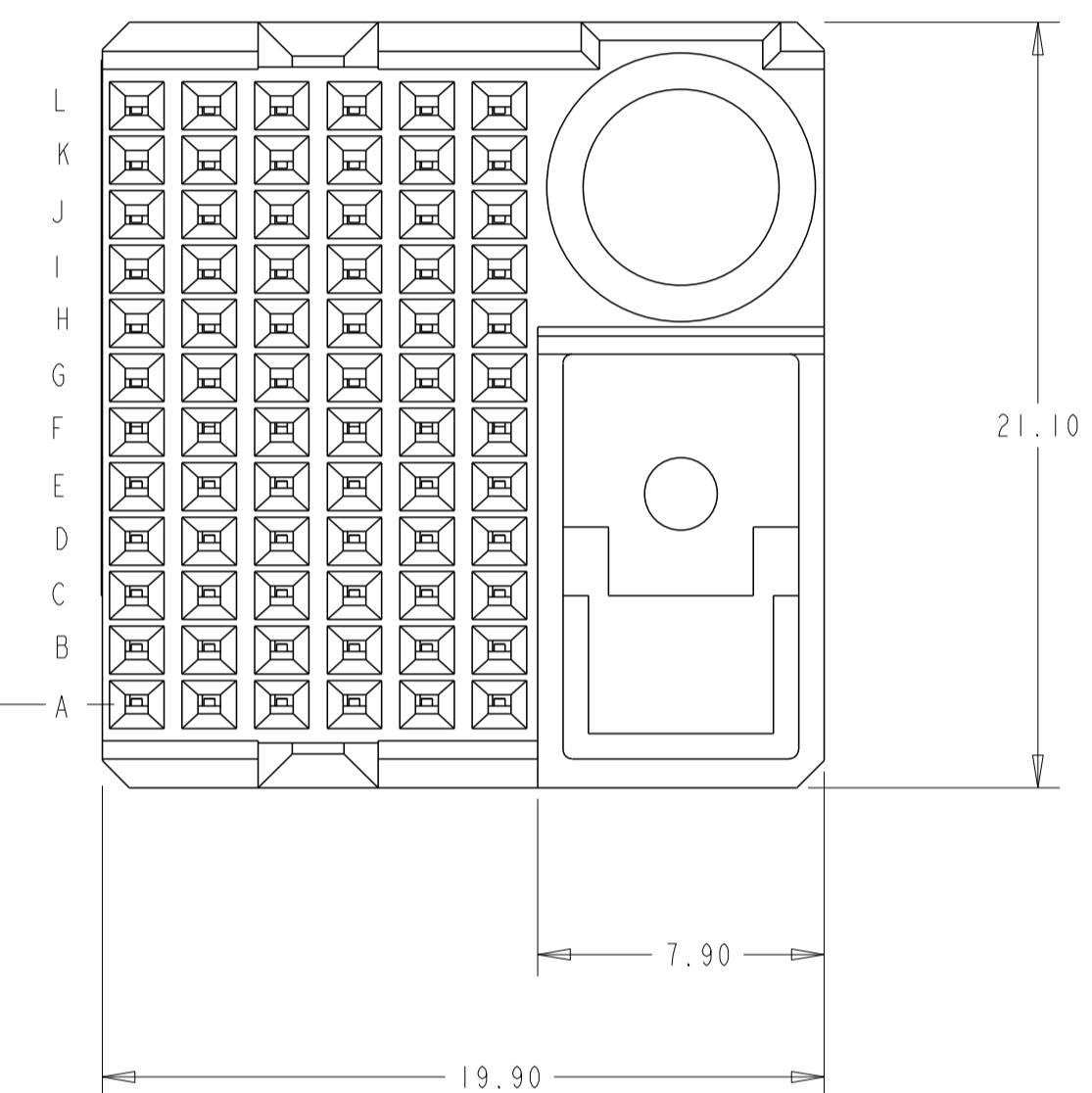
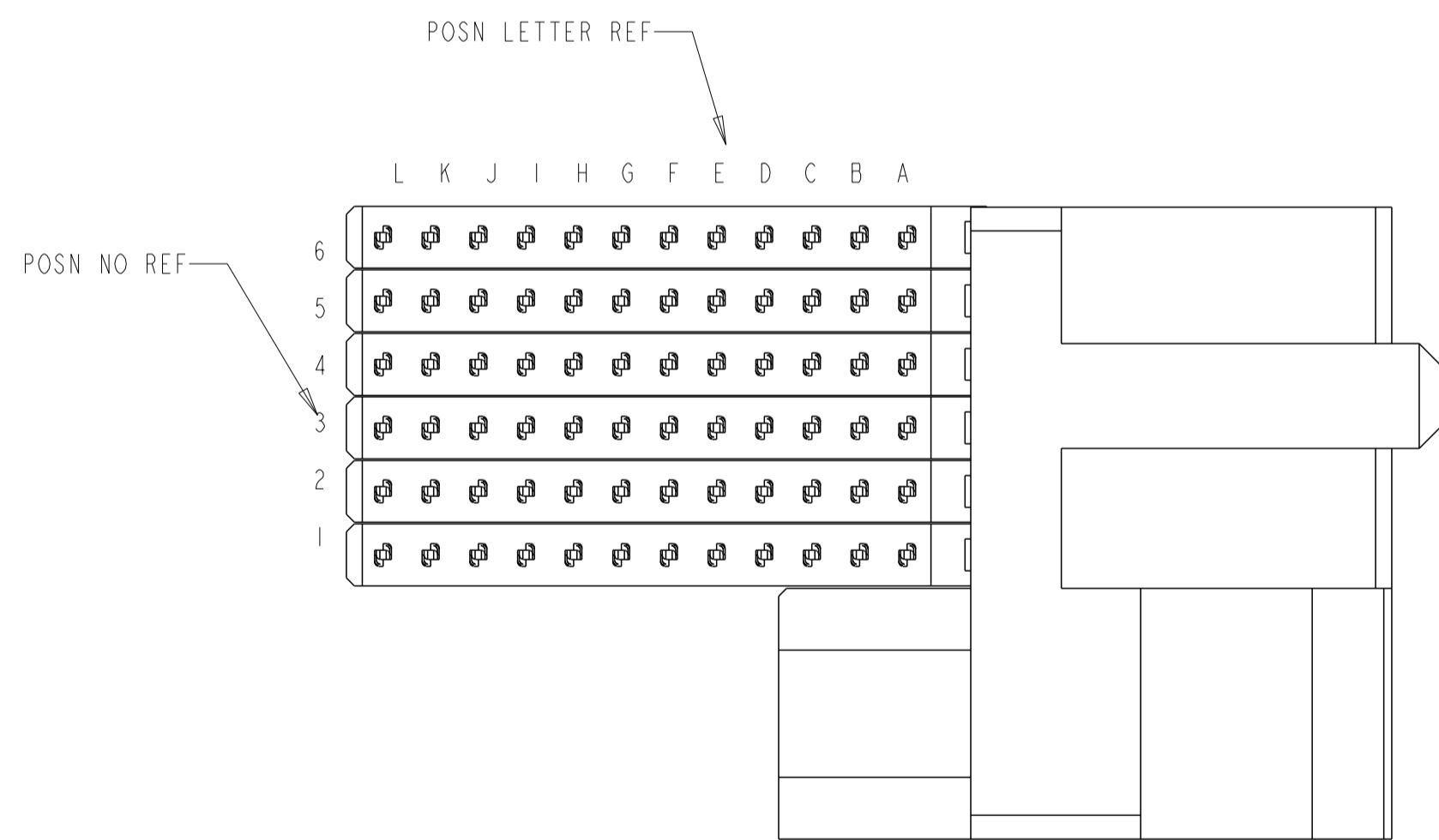


THIS DRAWING IS UNPUBLISHED. RELEASED FOR PUBLICATION 20  
COPYRIGHT 20 BY ALL RIGHTS RESERVED.

LOC	DIST	REVISIONS					
		P	LTR	DESCRIPTION	DATE	DRN	APVD
ES	00	A		INITIAL RELEASE	10MAY11	RC	CW



DETAIL Y  
SCALE 15:1  
TYPICAL



RECOMMENDED PRINTED CIRCUIT BOARD LAYOUT  
RECOMMENDED PRINTED CIRCUIT BOARD COMPONENT SIDE OF PRINTED CIRCUIT BOARD

- 1 GLASS FILLED POLYESTER, BLACK
- 2 PHOSPHOR BRONZE
- 3 CONFORMS TO ALL TESTING ACCORDING TO IEC 61076-4-101 PERFORMANCE LEVEL 2.
- 4 DATUMS ESTABLISHED BY CUSTOMER.
- 5 DRILLED HOLE DIAMETER 0.700±0.025  
COPPER THK 0.025-0.05  
TIN THICKNESS 0.004-0.01
- 6 DIMENSION ESTABLISHED BY CUSTOMER.
- 7 GENERAL PLATING SPECIFICATION: UNDERPLATING (ENTIRE CONTACT): 1.27µm MIN NICKEL AND ACTION PIN: 0.5µm MIN TIN. FOR PLATING OF MATING SURFACES SEE APPLICABLE SPECIFICATION REFERENCE FOR EACH DASH NUMBER
- 8 CONNECTOR PRINTED WITH PART NUMBER AND DATE CODE, LOCATED APPROXIMATELY AS SHOWN.

1645570-1  
PART NUMBER

THIS DRAWING IS A CONTROLLED DOCUMENT.		DRN: RAYMOND CAO	10MAY11	 TE Connectivity
DIMENSIONS: mm		CHK: ALEX SHOAL	10MAY11	
TOLERANCES UNLESS OTHERWISE SPECIFIED:		APVD: MANLIAN WANG	10MAY11	
0 PLC ±0.2 1 PLC ±0.2 2 PLC ±0.2 3 PLC ± 4 PLC ±		NAME: RECEPTACLE ASSEMBLY, SIGNAL/GROUND COMBINATION, 72 POSITION, RIGHT HAND, Z-PACK 12 HM	SIZE: A	RESTRICTED TO
MATERIAL HOUSING: 1 CONTACTS: 2		APPLICATION SPEC:	WEIGHT: -	
ANGLES: ± FINISH: -		RECOMMENDED PRINTED CIRCUIT BOARD COMPONENT SIDE OF PRINTED CIRCUIT BOARD	SCALE: 5:1	REV: A