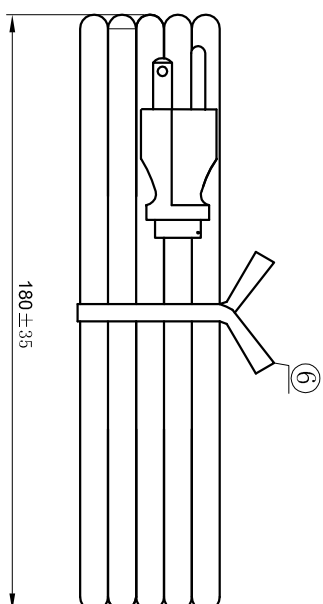
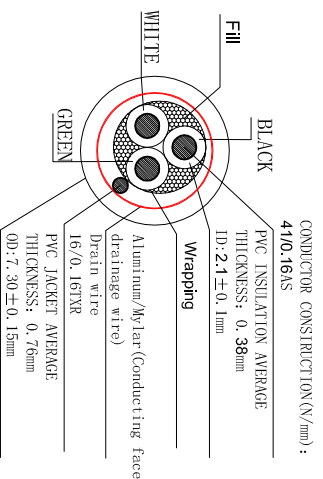
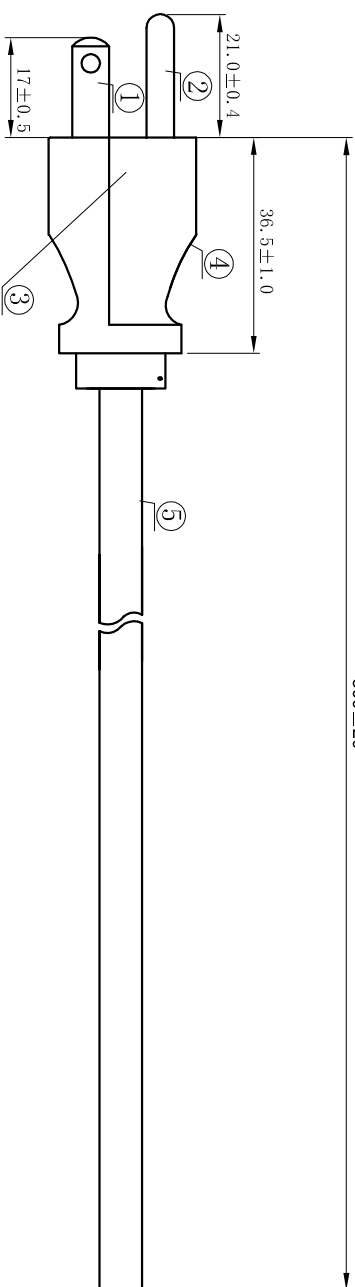
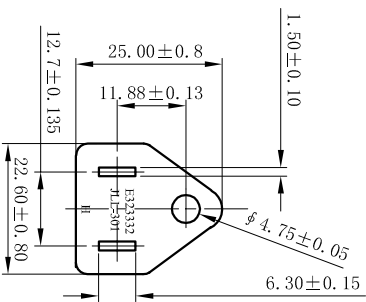


CnC Tech, LLC

Industrial Cable and Connector Technology

Engineer drawing

PART NO.	JLL-301	WIRE	SCALE	1 : 1
DESCRIPTION	SVT#18*3C105C SHIELDED		UNIT:	mm
DWG No.	800-1801-2-SVT0-BL-00050			



NOTES:

- 1) JACKET COLOR: BLACK
 - 2). E-GREEN; L-BLACK ; N-WHITE
- TESTING:**
- 1) 100% OPEN & SHORT TESTING
 - 2) INSULATION RESISTANCE: 100M ohm (min)
 - 3) VOLTAGE: DC500V/1min
 - 4) ROHS COMPLIANT

Printing the contents of wire The use of printing ink replenish Wire

REV	DATE	DESCRIPTION	SYMBOL
DRAWN/DATE	CHECKED/DATE		
GONG/10.11.04	ZHUYING/10.11.4		

NO.	SPECIFICATION	COLOUR	MATERIAL	AMOUNT
①	Load terminals 98661	Silver	Cu	2P
②	Grounding terminal 97475	Silver	Cu	1P
③	Model aircraft 8661AW-3P	WHITE	PBT	1PCS
④	Plug JLL-301	BLACK	PVC Cu	1PCS
⑤	Wire SVT 18AWG/3C 105°	BLACK	PVC Cu	1PCS
⑥	Ties	BLACK		1PCS

E213929 (UL) SVT 3X18AWG(0.824mm²) W=1 SHIELDED 105°C 300V CSA 228191
SVT 3X18AWG(0.824mm²) F12 SHIELDED 105°C 300V -1P-