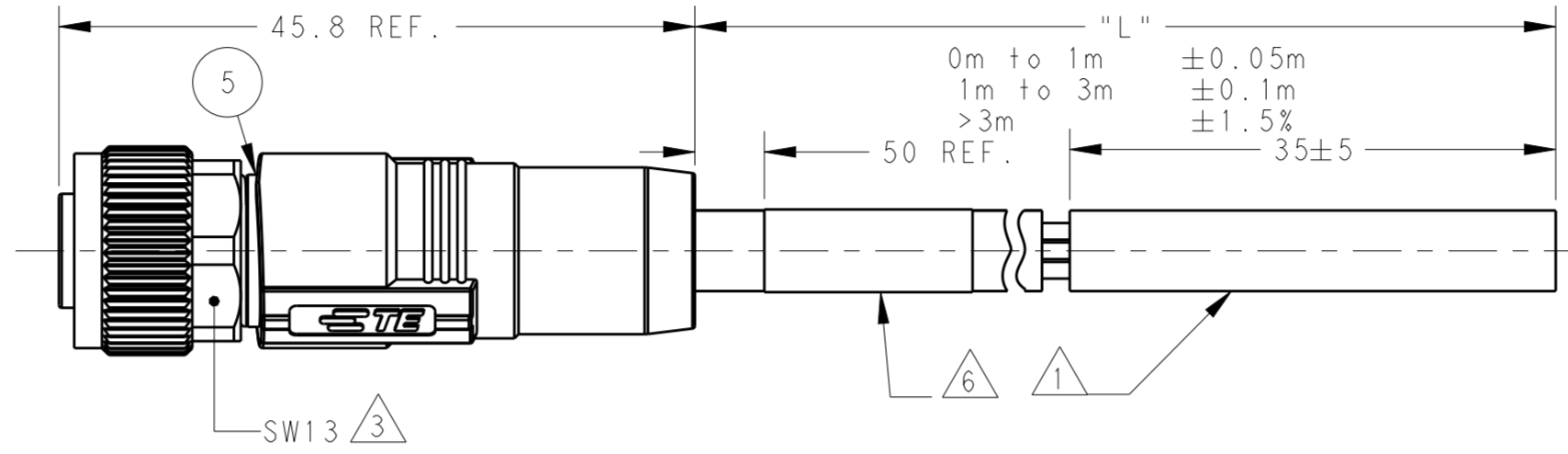
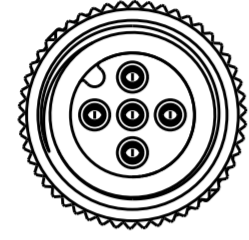


THIS DRAWING IS UNPUBLISHED. RELEASED FOR PUBLICATION 20
 © COPYRIGHT 20 BY - ALL RIGHTS RESERVED.

| ITEM | DESCRIPTION | MATERIAL | OTHERS |
|------|----------------|----------------|---------------|
| 1 | FEMALE CONTACT | COPPER ALLOY | GOLD PLATED |
| 2 | HOUSING | NYLON | BLACK |
| 3 | COUPLING NUT | COPPER ALLOY | NICKEL PLATED |
| 4 | OVER-MOLDING | PVC/TPU | BLACK |
| 5 | SHIELDED SHELL | COPPER ALLOY | NICKEL PLATED |
| 6 | O-RING | SILICONE | GRAY |
| 7 | CABLE | PVC/PUR JACKET | GRAY/VIOLET |
| 8 | LABEL | - | - |



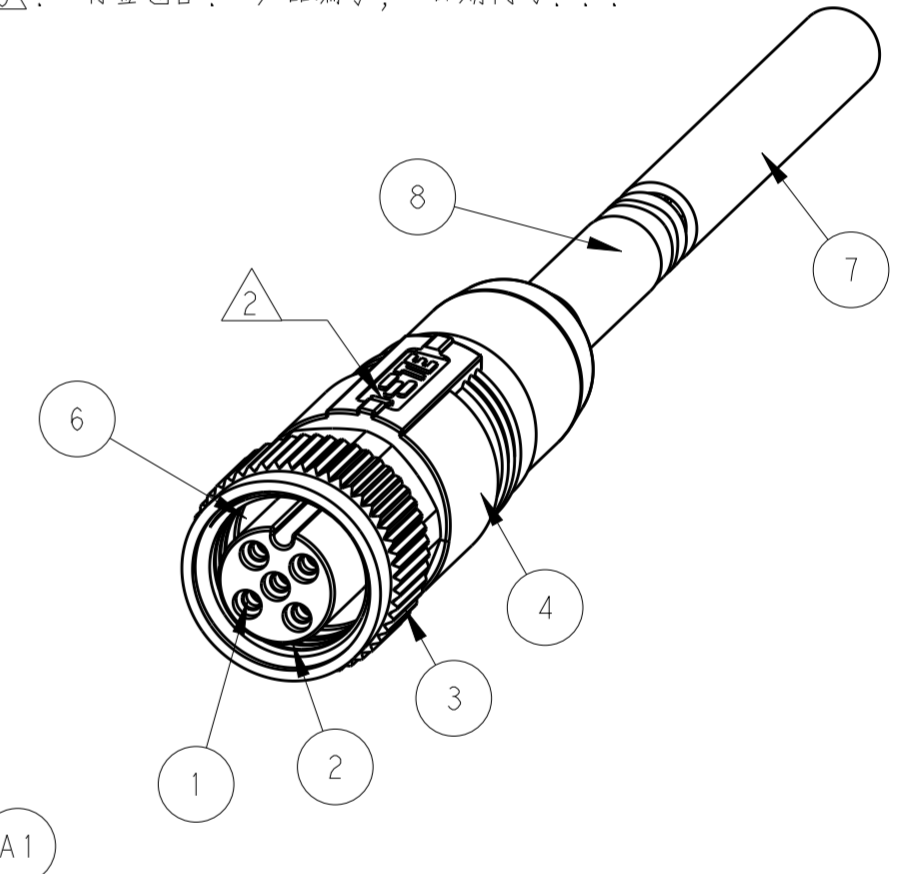
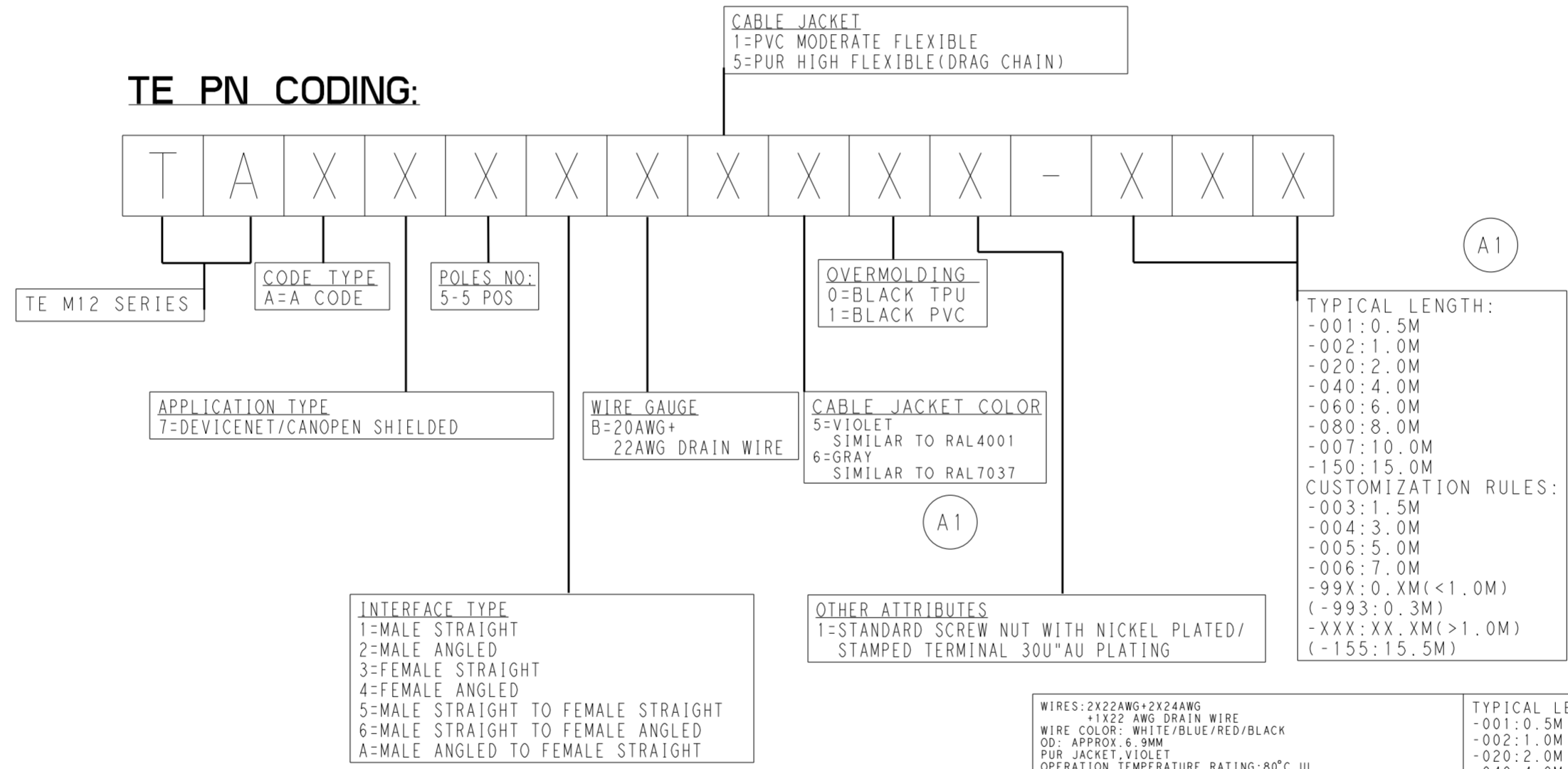
| REVISIONS | | | | |
|-----------|-----|---------------------|-----------|---------|
| P | LTR | DESCRIPTION | DATE | APVD |
| A | | INITIAL RELEASE | 29JUL2019 | A.Z C.W |
| A1 | | CLARIFY TYPICAL PNS | 22JUN2020 | A.Z C.W |

NOTE:
 1. STRIP AND RETAIN THE INSULATION
 2. CODE POSITION INDICATOR
 3. RECOMMENDED TORQUE 0.6 Nm
 4. -** : CABLE LENGTH, FOR EXAMPLE: -0.5M
 5. CABLE ASSEMBLY TO BE PACKAGED IN POLYBAGS
 6. LABEL CONTAINS: PN, DATE CODE...

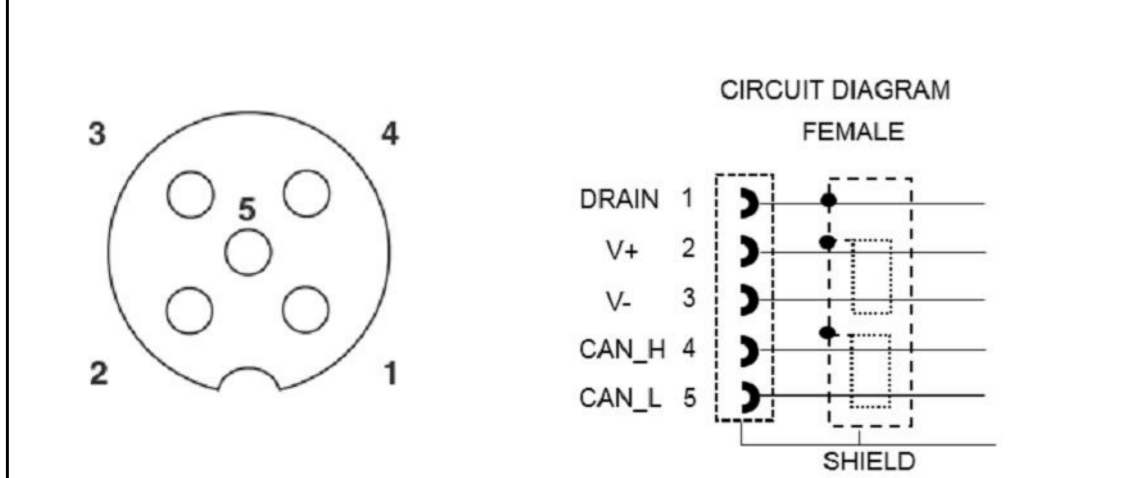
注释:
 1. 剥线并保留护套绝缘层
 2. CODE位置指示
 3. 推荐扭矩0.6 Nm
 4. -** : 线缆长度, 例如: -0.5M
 5. 线缆组件塑料袋包装
 6. 标签包含: 产品编号, 日期代码...

| TABLE 1 TECHNICAL DATA | | TAA753A1611-XXX | TAA753A5501-XXX |
|---------------------------|-------|-----------------|-----------------|
| RATED VOLTAGE | 60V | | |
| RATED IMPULSE VOLTAGE | 1500V | | |
| RATED CURRENT | 4A | | |
| POLLUTION DEGREE | 3 | | |
| OVERVOLTAGE CATEGORY | II | | |
| MATERIAL GROUP | II | | |
| DEGREE OF PROTECTION | IP67 | | |

TE PN CODING:



| PIN ARRANGEMENT A-CODE | |
|---------------------------|-------------|
| PIN 4 | CAN_H WHITE |
| PIN 5 | CAN_L BLUE |
| PIN 1 | DRAIN BARE |
| PIN 3 | V- BLACK |
| PIN 2 | V+ RED |



| CABLE CHARACTERISTIC | LENGTH "L" | TYPE | TABLE 2 TE PN |
|--|---|------------------|------------------|
| WIRES: 2X22AWG+2X24AWG +1X22 AWG DRAIN WIRE WIRE COLOR: WHITE/BLUE/RED/BLACK OD: APPROX: 6.9MM PUR JACKET: VIOLET OPERATION TEMPERATURE RATING: 80°C UL OPERATION TEMP RATING: -40°C to +80°C DRAG CHAIN TEST: MIN: 0.5 MILLION CYCLES, DIAMETER 75MM, SPEED 2m/s, ACCELERATION 2m/s² | TYPICAL LENGTH: -001: 0.5M -002: 1.0M -020: 2.0M -040: 4.0M -060: 6.0M -080: 8.0M -007: 10.0M -150: 15.0M CUSTOMIZATION RULES: -003: 1.5M -004: 3.0M -005: 5.0M -006: 7.0M -99X: 0.XM (<1.0M) (-993: 0.3M) -XXX: XX.XM (>1.0M) (-155: 15.5M) | M12A5-FS-PUR-*** | TAA753A5501-XXX |
| WIRES: 2X22AWG+2X24AWG +1X22 AWG DRAIN WIRE WIRE COLOR: WHITE/BLUE/RED/BLACK OD: APPROX: 7.1MM TEMPERATURE RATING: 75°C UL OPERATION TEMP RATING: -10°C to +80°C | TYPICAL LENGTH: -001: 0.5M -002: 1.0M -020: 2.0M -040: 4.0M -060: 6.0M -080: 8.0M -007: 10.0M -150: 15.0M CUSTOMIZATION RULES: -003: 1.5M -004: 3.0M -005: 5.0M -006: 7.0M -99X: 0.XM (<1.0M) (-993: 0.3M) -XXX: XX.XM (>1.0M) (-155: 15.5M) | M12A5-FS-PVC-*** | TAA753A1611-XXX |

THIS DRAWING IS A CONTROLLED DOCUMENT.

| | | | | |
|----------------|--|---------------------------|------------------------|----------------------------|
| DIMENSIONS: mm | TOLERANCES UNLESS OTHERWISE SPECIFIED: | DWN: ALEX ZHANG 11APR2019 | CHK: HART HE 11APR2019 | APVD: CHRIS WANG 11APR2019 |
| 0 PLC ± | 1 PLC ± | 2 PLC ± | 3 PLC ± | 4 PLC ± |
| MATERIAL | | FINISH | | RESTRICTED CUSTOMER |

TE Connectivity
 NAME: M12 A CODE CABLE ASSY, SHIELDED 5P, FS FREE END
 PRODUCT SPEC: 108-106140
 APPLICATION SPEC: 114-137144
 SIZE: A2 CAGE CODE: - DRAWING NO: C-TAA753AXXXXXXX
 SCALE: 2:1 SHEET 1 OF 1 REV: A1