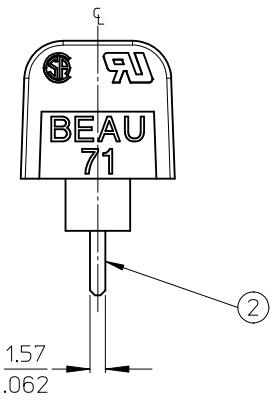
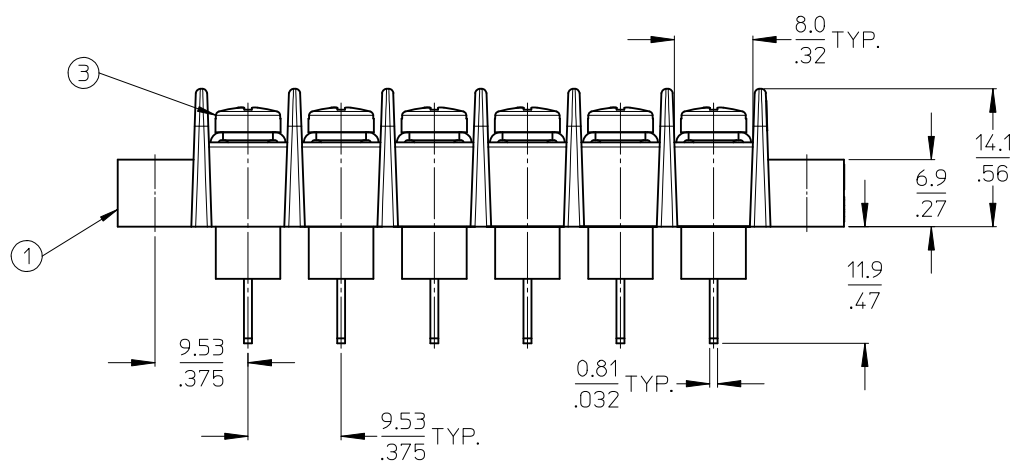
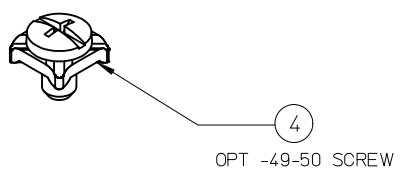
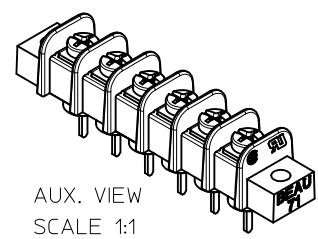
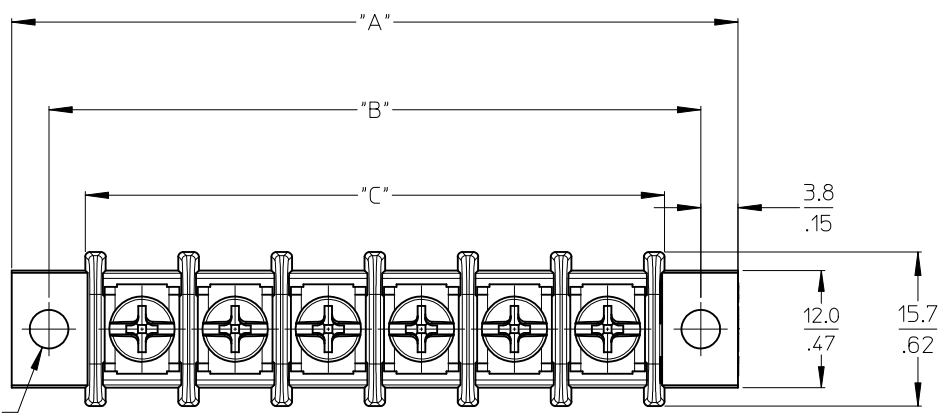


MATERIAL NUMBER (OPT -49-50)	MATERIAL NUMBER (OPT -49)	# OF CIRC. XX	DIM. "A"	DIM. "B"	DIM. "C"
	387198540	2	40.1 (1.59)	28.58 (1.125)	21.1 (0.83)
F 387198624	387198176	3	49.6 (1.96)	38.10 (1.500)	30.7 (1.21)
	387198539	4	59.2 (2.34)	47.63 (1.875)	40.2 (1.58)
	387198260	5	68.7 (2.71)	57.15 (2.250)	49.7 (1.96)
	387198436	6	78.2 (3.09)	66.68 (2.625)	59.2 (2.33)
	387198258	7	87.7 (3.46)	76.20 (3.000)	66.8 (2.71)
	387198378	8	97.3 (3.84)	85.73 (3.375)	78.3 (3.08)
E 387198235	9	106.8 (4.21)	95.25 (3.750)	87.8 (3.46)	
	387198239	10	116.3 (4.59)	104.78 (4.125)	97.3 (3.83)
	387198535	11	125.8 (4.96)	114.30 (4.500)	106.9 (4.21)
	387198566	12	135.4 (5.34)	123.83 (4.875)	116.4 (4.58)
	387198439	13	144.9 (5.71)	133.35 (5.250)	125.9 (4.96)



- NOTES:
 1. MATERIAL: SEE TABLE
 2. FINISHES: SEE TABLE
 3. PRODUCT SPECIFICATION: NOT REQUIRED
 4. XX REFERS TO THE NUMBER OF CIRCUITS
 5. ROHS COMPLIANT.

ITEM	QTY	DESCRIPTION	MATERIAL	FINISH
4	XX	6-32 PHSL SCREW W/WASHER (OPT -49-50)	BRASS	NICKEL PLATE
3	XX	6-32 BHD PHIL-SLOTTED SCREW (OPT -49)	BRASS	NICKEL PLATE
2	XX	TERMINAL WW, 6-32	BRASS	TIN PLATE
1	1	SR BTS INSUL MONTG EV	(C) POLYESTER (PBT)	BLACK

UPDATE CHART W/ROHS P/NS
 EC NO: WNA2010-0763
 DRAWN: JENC INAS 2010/07/05
 CHKD: CLYORK 2010/07/05
 APPR: JMACNEIL 2010/07/21

QUALITY SYMBOLS
 ▽=0
 ▽=0

	GENERAL TOLERANCES (UNLESS SPECIFIED)	
	mm	INCH
4 PLACES	± .---	± .---
3 PLACES	± .---	± .005
2 PLACES	± 0.13	± .01
1 PLACE	± 0.3	± .---
ANGULAR ± 2 °		

DRAFT WHERE APPLICABLE MUST REMAIN WITHIN DIMENSIONS

DIMENSION STYLE
MM/IN

DRAWN BY: JENC INAS DATE: 2007/11/02
 CHECKED BY: CYORK DATE: 2007/11/02
 APPROVED BY: JMACNEIL DATE: 2007/11/02

MATERIAL NO. SEE CHART

SCALE: 2:1
 DESIGN UNITS: INCH
 THIRD ANGLE PROJECTION

TITLE: 9.53/.375 LOW PROF. BTS WITH SOLID MOUNTING ENDS (713XX-E-49-50)

MOLEX INCORPORATED

DOCUMENT NO. SD-38719-009 SHEET NO. 1 OF 1

THIS DRAWING CONTAINS INFORMATION THAT IS PROPRIETARY TO MOLEX INCORPORATED AND SHOULD NOT BE USED WITHOUT WRITTEN PERMISSION