
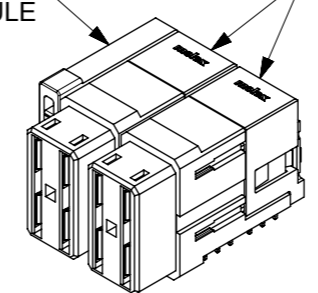


PART NUMBER	NUMBER OF POWER MODULES	"DIM A"	PLATING OPTION	LEFT HOLD DOWN MODULE LOCATION 
78350-1001	1X	15.00	TIN	REFER TO SHEET 2 FOR DETAILS
78350-1011	2X	26.40		

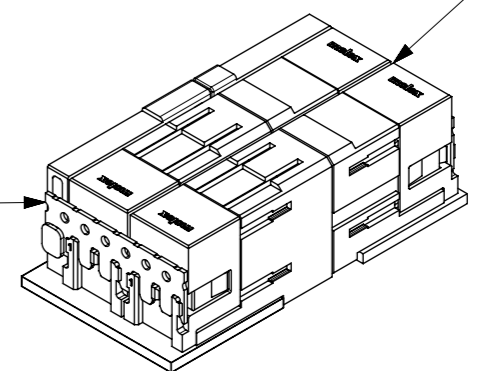
LEFT HOLD DOWN OPTIONS

LEFT HOLD DOWN MODULE


POWER MODULE



78349-\*\*\*\*  
R/A HEADER  
W/ RIGHT  
HOLD DOWN



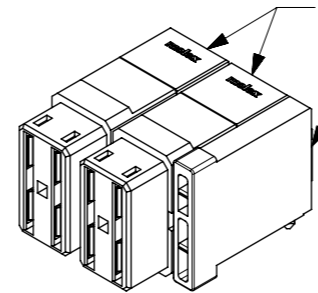
78350-\*\*\*\*  
R/A RECEPTACLE  
W/ LEFT HOLD DOWN

PART NUMBER	NUMBER OF POWER MODULES	"DIM A"	PLATING OPTION	RIGHT HOLD DOWN MODULE LOCATION 
78350-2001	1X	15.00	TIN	REFER TO SHEET 3 FOR DETAILS
78350-2011	2X	26.40		

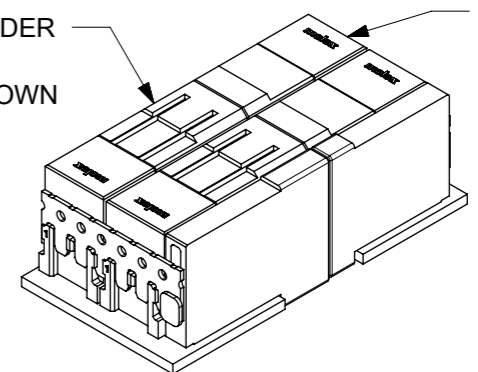
RIGHT HOLD DOWN OPTIONS

POWER MODULE

RIGHT HOLD DOWN MODULE




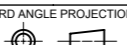
78349-\*\*\*\*  
R/A HEADER  
W/ LEFT  
HOLD DOWN



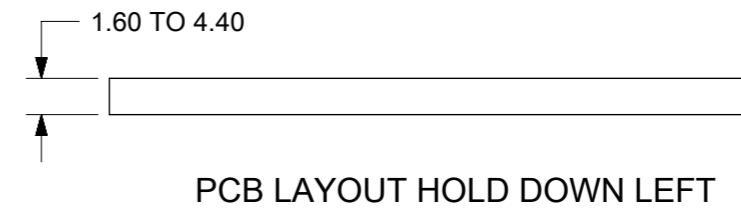
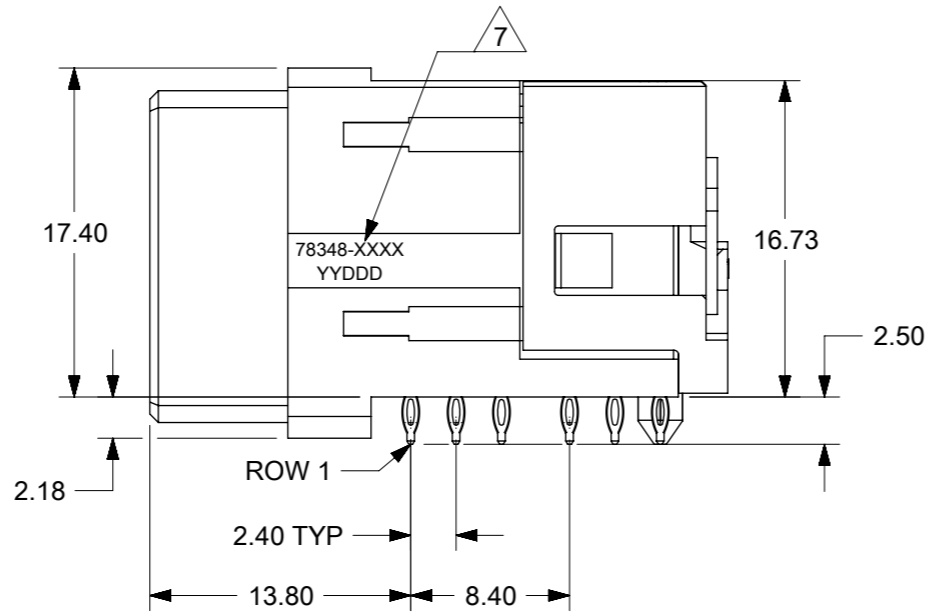
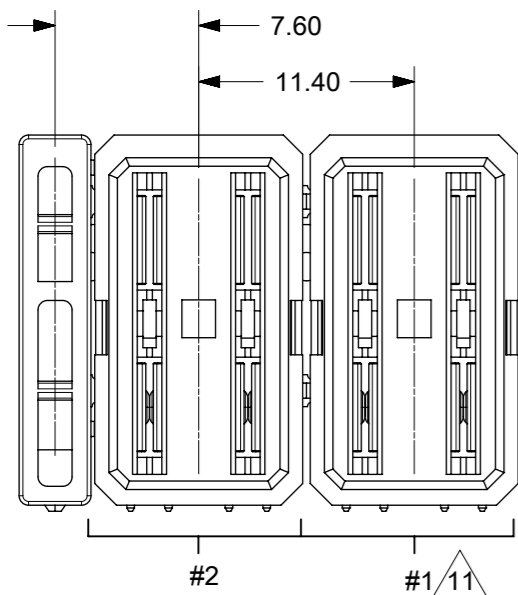
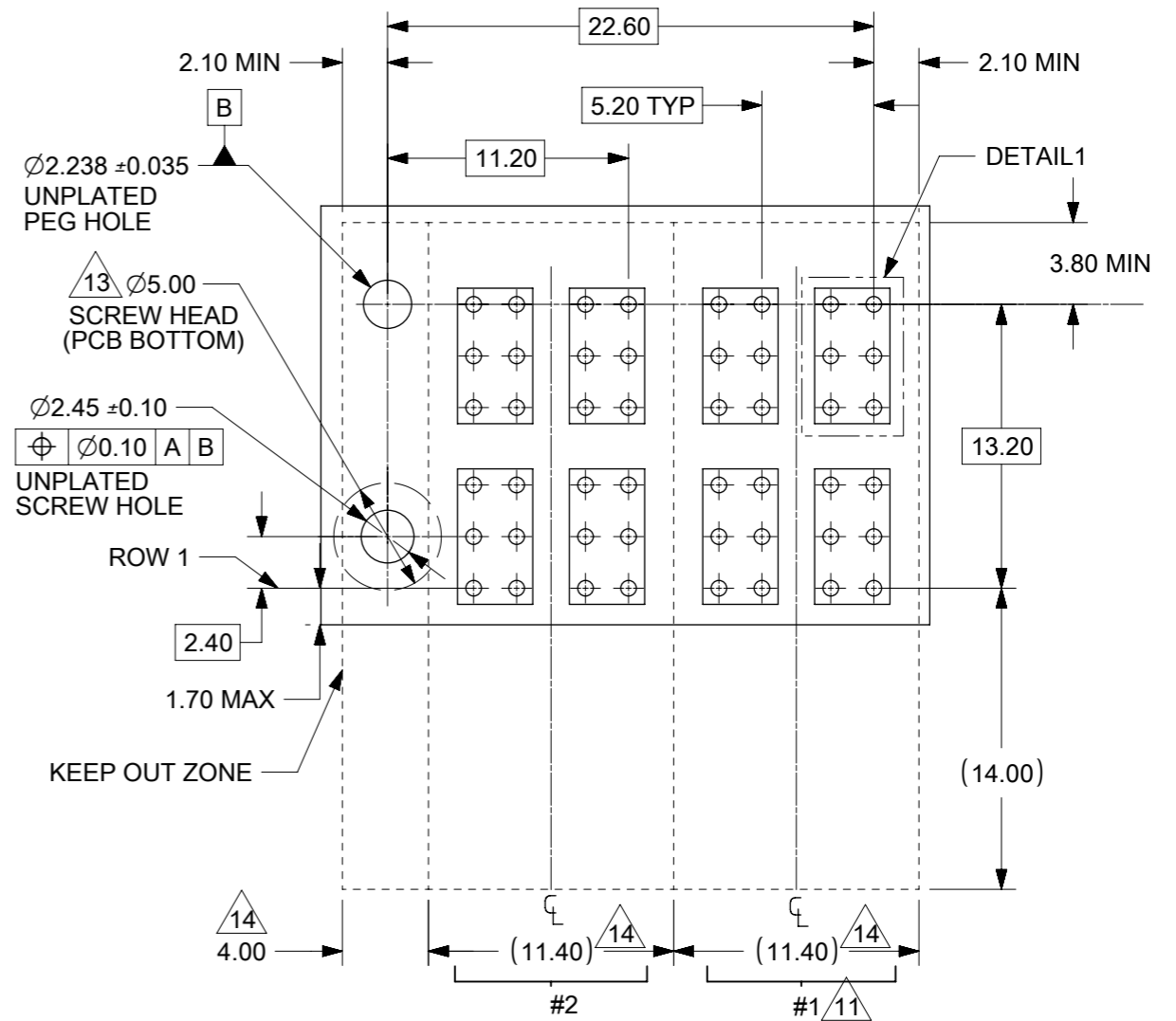
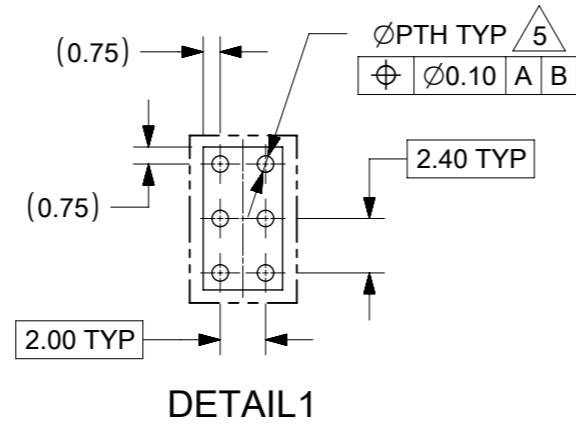
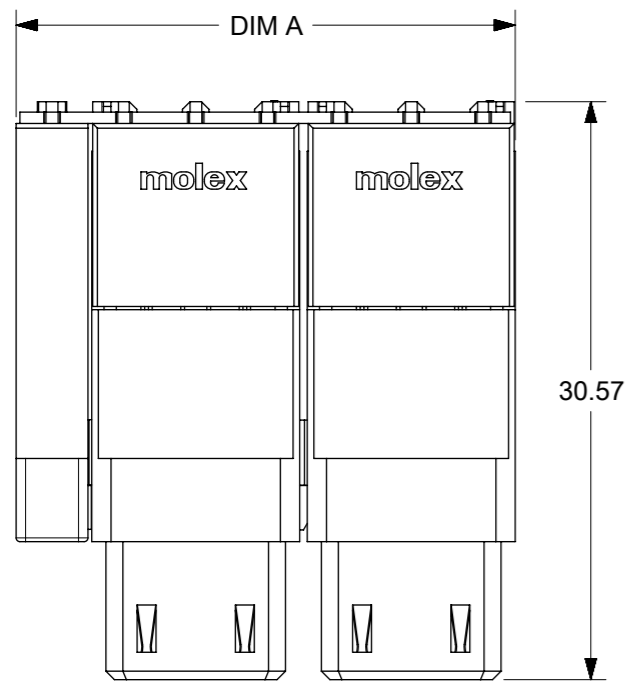
78350-\*\*\*\*  
R/A RECEPTACLE  
W/ RIGHT HOLD DOWN

NOTES:

- MATERIALS:  
HOUSING - HIGH TEMP. THERMOPLASTIC, GLASS FILLED, UL94-V0,COLOR:BLACK.  
POWER PIN - COPPER ALLOY.
- FINISHES:  
POWER CONTACTS  
0.76µm MINIMUM GOLD AT CONTACT AREA AND  
2.54µm MINIMUM TIN AT SOLDER TAIL AREA  
OVER 1.27µm MINIMUM NICKEL UNDERPLATE.
- PRODUCT SPECIFICATION: PS-78213-001.
- PACKAGING SPECIFICATION:  
PK-78350-001 (1X MODULE WITH HOLD DOWN MODULE)  
PK-78350-002 (2X MODULE WITH HOLD DOWN MODULE)
- REFER TO MOLEX PRODUCT SPECIFICATION PS-78213-001 FOR PLATED THROUGH HOLE SPECIFICATIONS AND TORQUE FORCE.
- MATES WITH 78349-\*\*\*\*.
- PART NUMBER AND YEAR-DAY CODE. CAN BE AT THE OPPOSITE SIDE.
- ADD 11.4mm FOR EACH ADDITIONAL POWER MODULE.
- THE DETAILS FOR LEFT & RIGHT HOLD DOWN OPTION ARE SHOWN IN SHEET 2 AND SHEET 3 RESPECTIVELY.
- CONNECTORS ARE PACKED IN TRAY
- FIRST POWER MODULE(#1) START FROM THE RIGHT.
- REFER TO SD-78248-001 FOR DETAILS OF THE POWER MODULE .
- ALL PARTS ARE SHIPPED WITH A 2-32 TYPE AB SELF-TAPPING SCREW PART NUMBER 73726-0000.
- COMPONENT KEEP AWAY ZONE FROM CONNECTOR

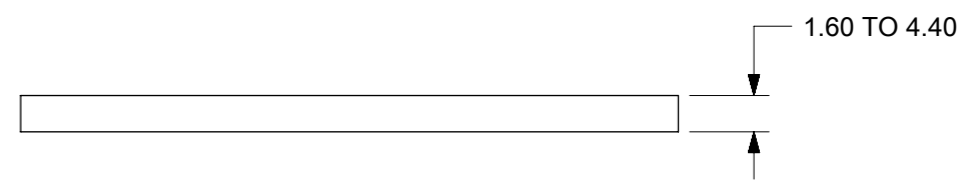
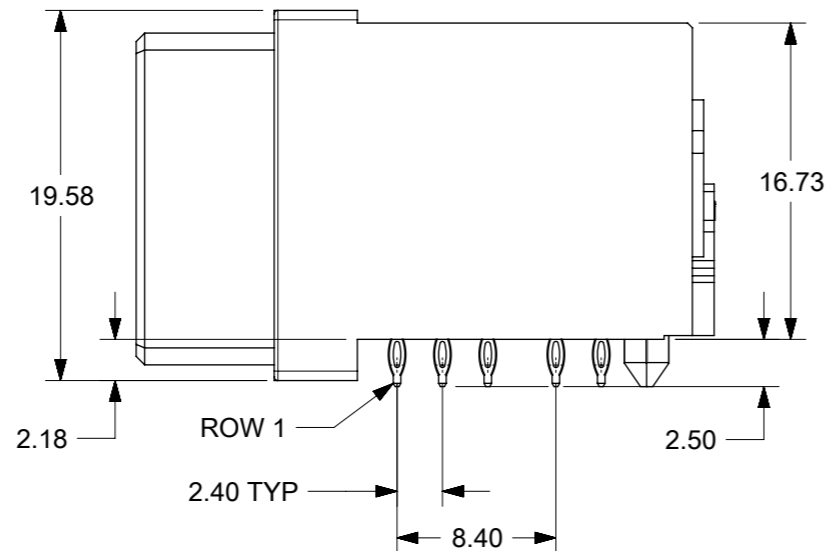
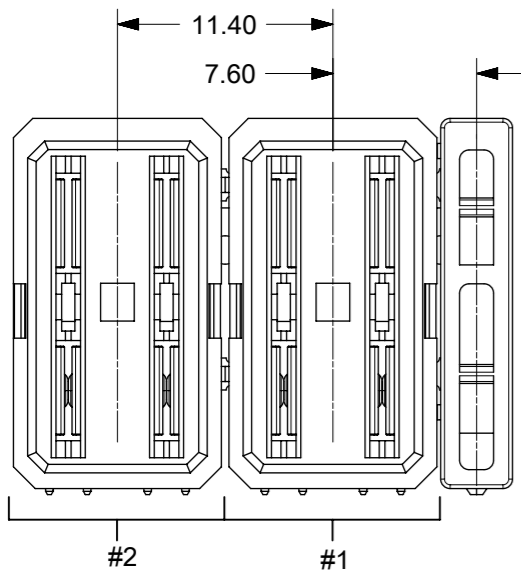
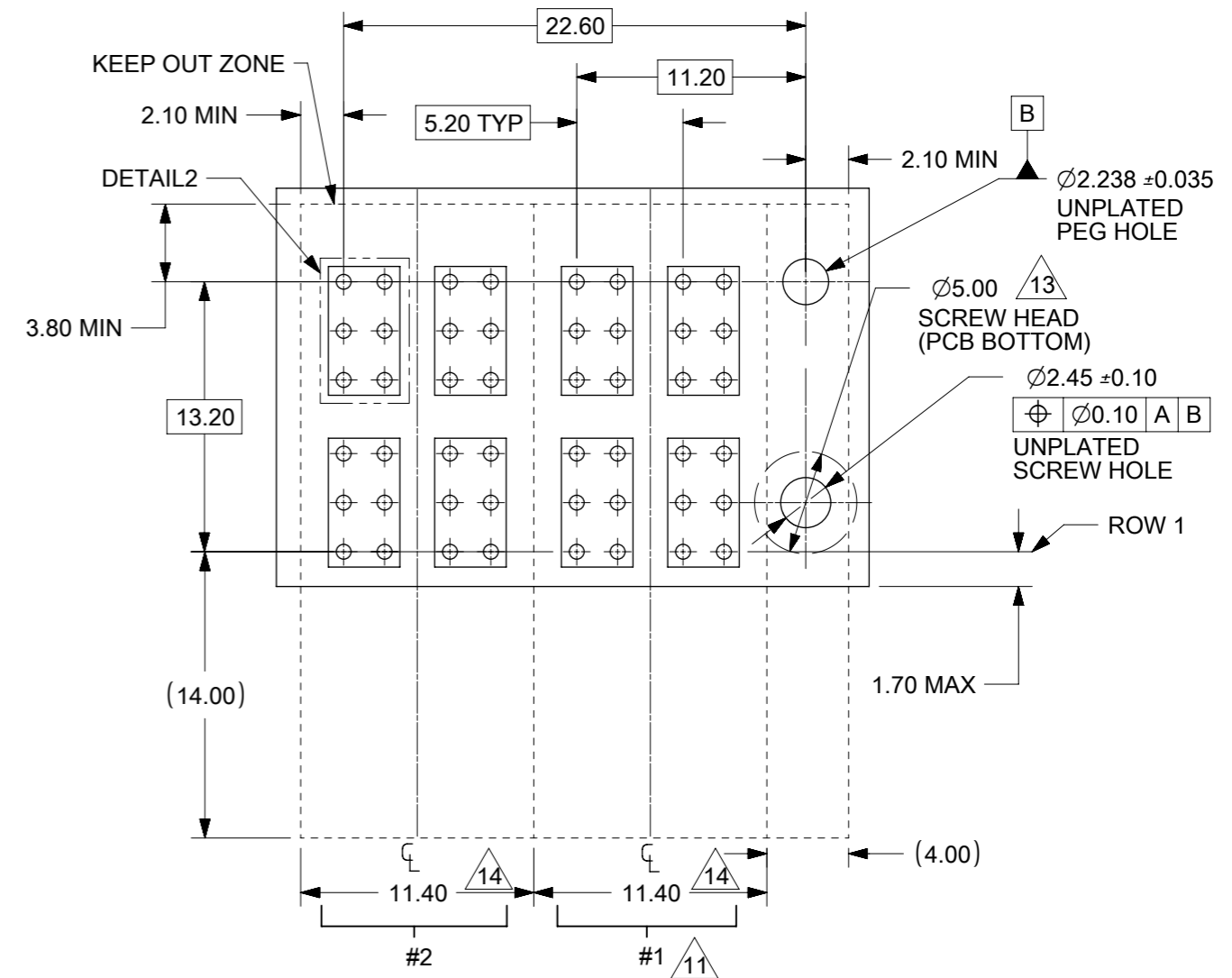
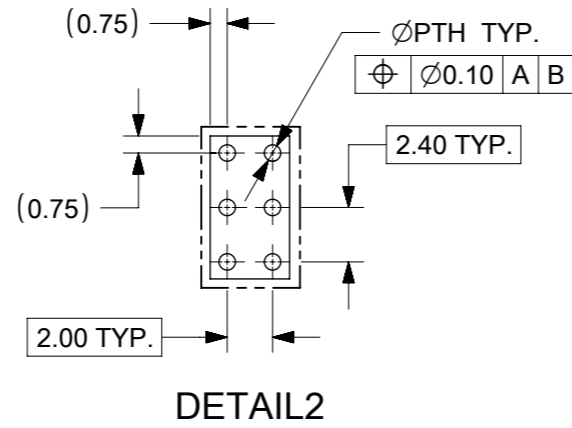
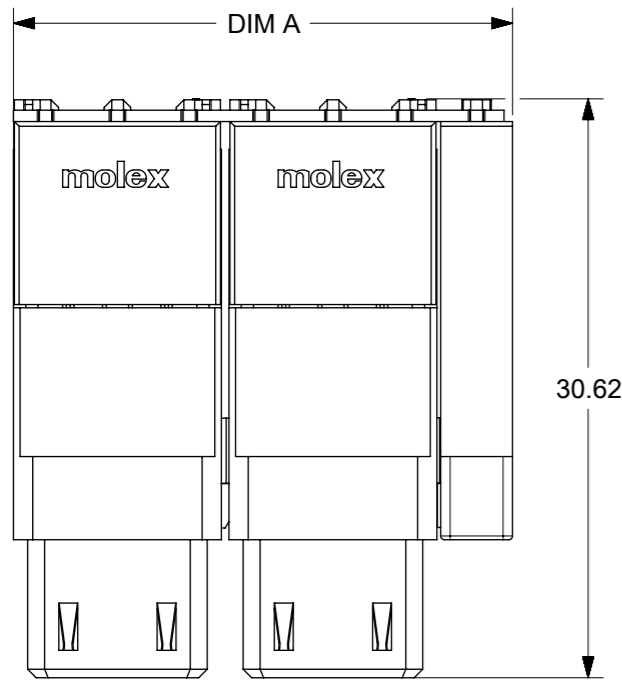
THIS DRAWING CONTAINS INFORMATION THAT IS PROPRIETARY TO MOLEX ELECTRONIC TECHNOLOGIES, LLC AND SHOULD NOT BE USED WITHOUT WRITTEN PERMISSION		CURRENT REV DESC: MIGRATED TO NX			
DIMENSION UNITS	SCALE				
mm	NTS			IMPACT POWER, 4 PAIR RA RECEPT W HOLD DOWN PRESS FIT	
GENERAL TOLERANCES (UNLESS SPECIFIED)				PRODUCT CUSTOMER DRAWING	
ANGULAR TOL	± 1.0 °	EC NO:	612055	DOCUMENT NUMBER	
4 PLACES	±	DRWN:	BREVANSIDDAB 2019/01/22	SD-78350-001	
3 PLACES	±	CHK'D:	ABN 2019/02/14	DOC TYPE	DOC PART
2 PLACES	± 0.25	APPR:	CWANG25 2019/03/05	PSD	001
1 PLACE	±	INITIAL REVISION:		REVISION	
0 PLACES	±	DRWN:	LNG 2011/01/10	B5	
DRAFT WHERE APPLICABLE MUST REMAIN WITHIN DIMENSIONS		THIRD ANGLE PROJECTION	DRAWING	SERIES	MATERIAL NUMBER
			A3-SIZE	78350	CUSTOMER
				SEE TABLE	GENERAL MARKET
				SHEET NUMBER	
				1 OF 4	

# LEFT HOLD DOWN OPTION



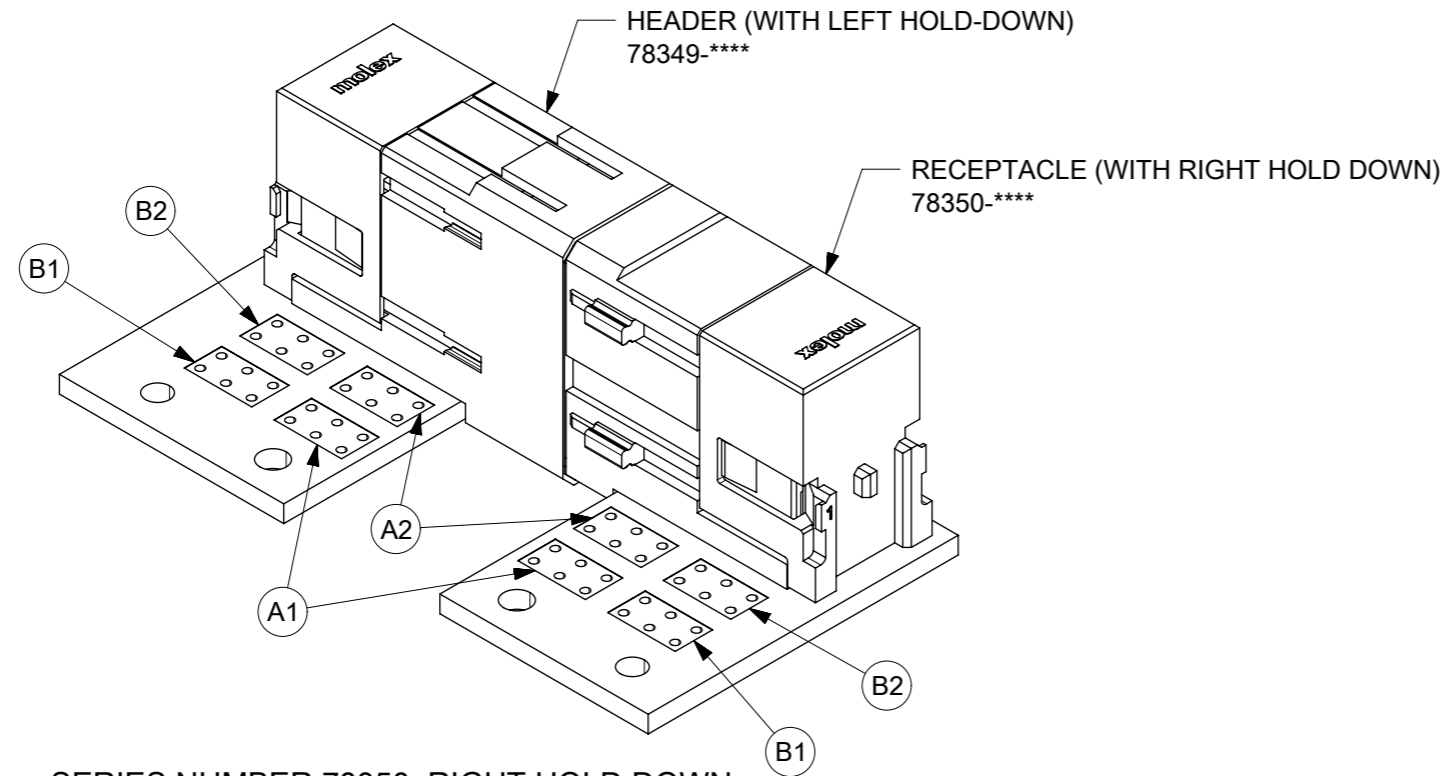
THIS DRAWING CONTAINS INFORMATION THAT IS PROPRIETARY TO MOLEX ELECTRONIC TECHNOLOGIES, LLC AND SHOULD NOT BE USED WITHOUT WRITTEN PERMISSION									
DIMENSION UNITS		SCALE		CURRENT REV DESC: MIGRATED TO NX					
mm		NTS		<p>IMPACT POWER, 4 PAIR RA RECEIPT W HOLD DOWN PRESS FIT</p> <p>PRODUCT CUSTOMER DRAWING</p>					
GENERAL TOLERANCES (UNLESS SPECIFIED)									
ANGULAR TOL		± 1.0°							
4 PLACES		±							
3 PLACES		±							
2 PLACES		± 0.25							
1 PLACE		±		EC NO: 612055		DRWN: BREVANSIDDAB		2019/01/22	
0 PLACES		±		CHK'D: ABN		APPR: CWANG25		2019/02/14	
DRAFT WHERE APPLICABLE MUST REMAIN WITHIN DIMENSIONS				THIRD ANGLE PROJECTION		DRAWING		SERIES	
				A3-SIZE		78350		MATERIAL NUMBER	
				SEE TABLE		GENERAL MARKET		CUSTOMER	
								SHEET NUMBER	
								2 OF 4	

# RIGHT HOLD DOWN OPTION

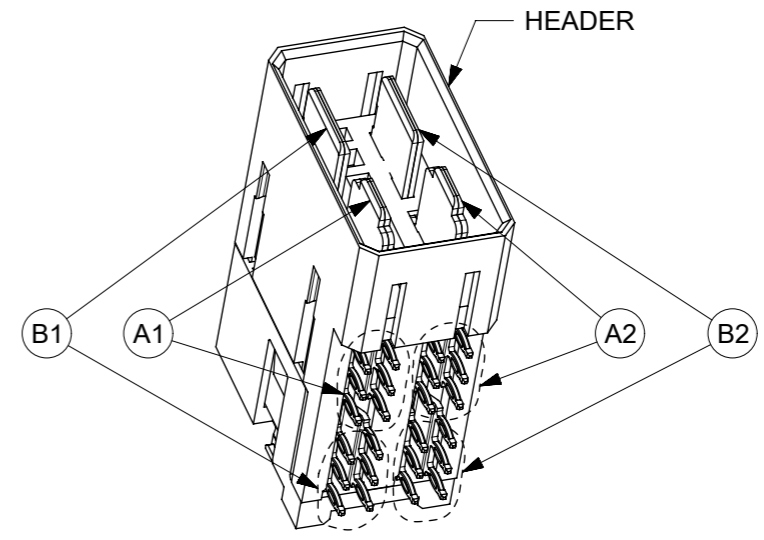


PCB LAYOUT HOLD DOWN RIGHT  
(COMPONENT SIDE SHOWN)

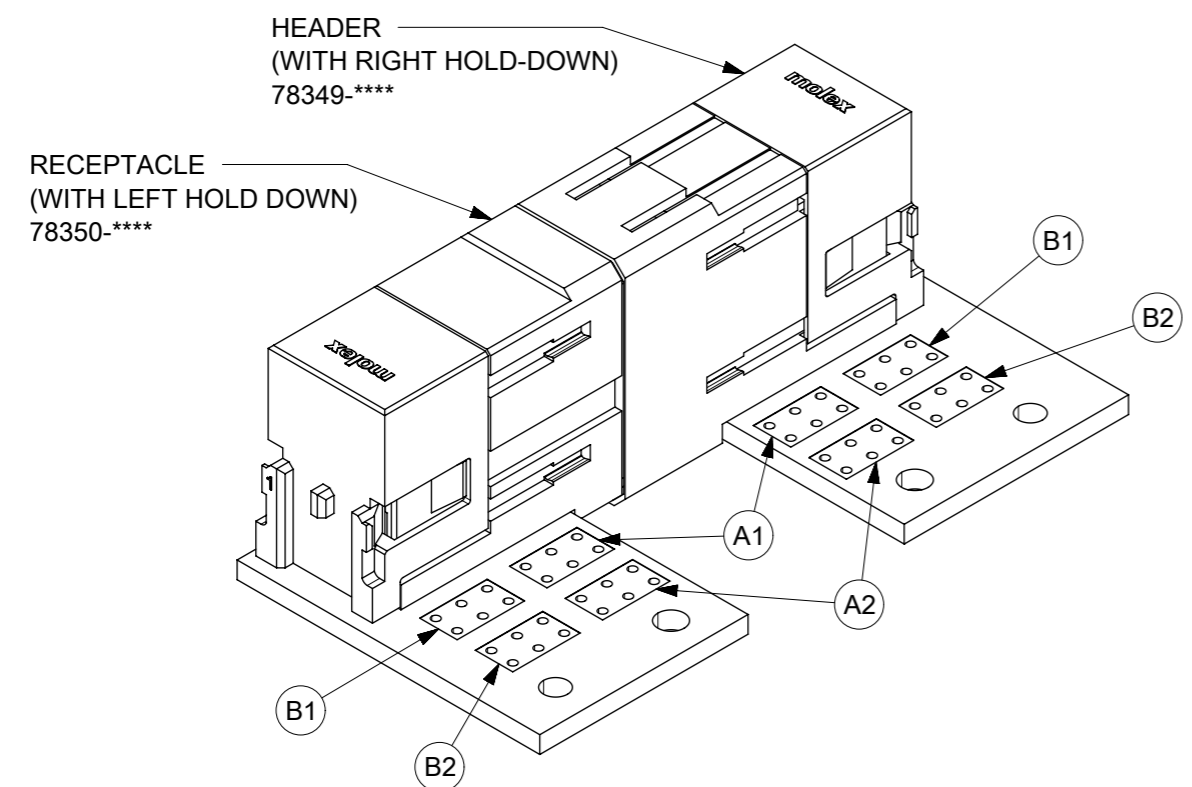
THIS DRAWING CONTAINS INFORMATION THAT IS PROPRIETARY TO MOLEX ELECTRONIC TECHNOLOGIES, LLC AND SHOULD NOT BE USED WITHOUT WRITTEN PERMISSION									
DIMENSION UNITS: mm		SCALE: NTS		CURRENT REV DESC: MIGRATED TO NX					
GENERAL TOLERANCES (UNLESS SPECIFIED)				<b>molex</b> IMPACT POWER, 4 PAIR RA RECEIPT W HOLD DOWN PRESS FIT PRODUCT CUSTOMER DRAWING					
ANGULAR TOL		± 1.0°							
4 PLACES		±							
3 PLACES		±							
2 PLACES		± 0.25							
INITIAL REVISION:				DOCUMENT NUMBER		DOC TYPE		DOC PART	
1 PLACE		±		SD-78350-001		PSD		001 B5	
0 PLACES		±		MATERIAL NUMBER		CUSTOMER		SHEET NUMBER	
DRAFT WHERE APPLICABLE MUST REMAIN WITHIN DIMENSIONS		THIRD ANGLE PROJECTION		DRAWING		SERIES		SEE TABLE	
				A3-SIZE		78350		GENERAL MARKET	
DOCUMENT STATUS		P1		RELEASE DATE		2019/03/05		02:57:19	



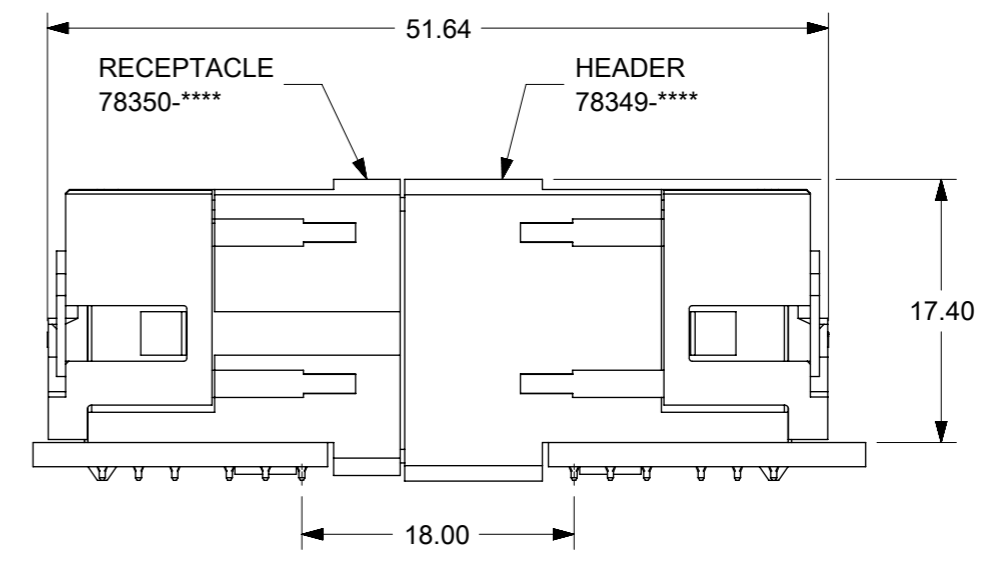
SERIES NUMBER 78350; RIGHT HOLD DOWN:  
1 POWER MODULE AND HOLD DOWN REMOVED TO  
ILLUSTRATE CIRCUIT PATH OF MATED SYSTEM



PIN NUMBER ASSIGNMENT BASED ON HEADER SIDE:  
A1, B1 ON THE LEFT,  
A2, B2 ON THE RIGHT.



SERIES NUMBER 78350; LEFT HOLD DOWN:  
1 POWER MODULE AND HOLD DOWN REMOVED TO  
ILLUSTRATE CIRCUIT PATH OF MATED SYSTEM



MATED SYSTEM OF 78349 & 78350

THIS DRAWING CONTAINS INFORMATION THAT IS PROPRIETARY TO MOLEX ELECTRONIC TECHNOLOGIES, LLC AND SHOULD NOT BE USED WITHOUT WRITTEN PERMISSION		CURRENT REV DESC: MIGRATED TO NX		<b>molex</b>	
DIMENSION UNITS	SCALE				
mm	NTS			PRODUCT CUSTOMER DRAWING	
GENERAL TOLERANCES (UNLESS SPECIFIED)		EC NO: 612055		DOCUMENT NUMBER	
ANGULAR TOL	± 1.0 °	DRWN: BREVANSIDDAB 2019/01/22		SD-78350-001	
4 PLACES	±	CHK'D: ABN 2019/02/14		DOC TYPE	DOC PART
3 PLACES	±	APPR: CWANG25 2019/03/05		PSD	001
2 PLACES	± 0.25	INITIAL REVISION:		REVISION	B5
1 PLACE	±	DRWN: LNG 2011/01/10			
0 PLACES	±	APPR: SHONG 2011/05/04			
DRAFT WHERE APPLICABLE MUST REMAIN WITHIN DIMENSIONS	THIRD ANGLE PROJECTION	DRAWING	SERIES	MATERIAL NUMBER	CUSTOMER
		A3-SIZE	78350	SEE TABLE	GENERAL MARKET
		SHEET NUMBER	4 OF 4		