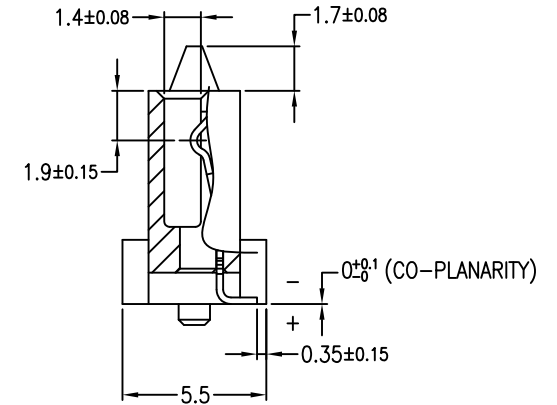
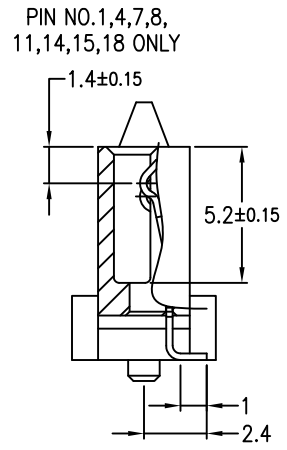
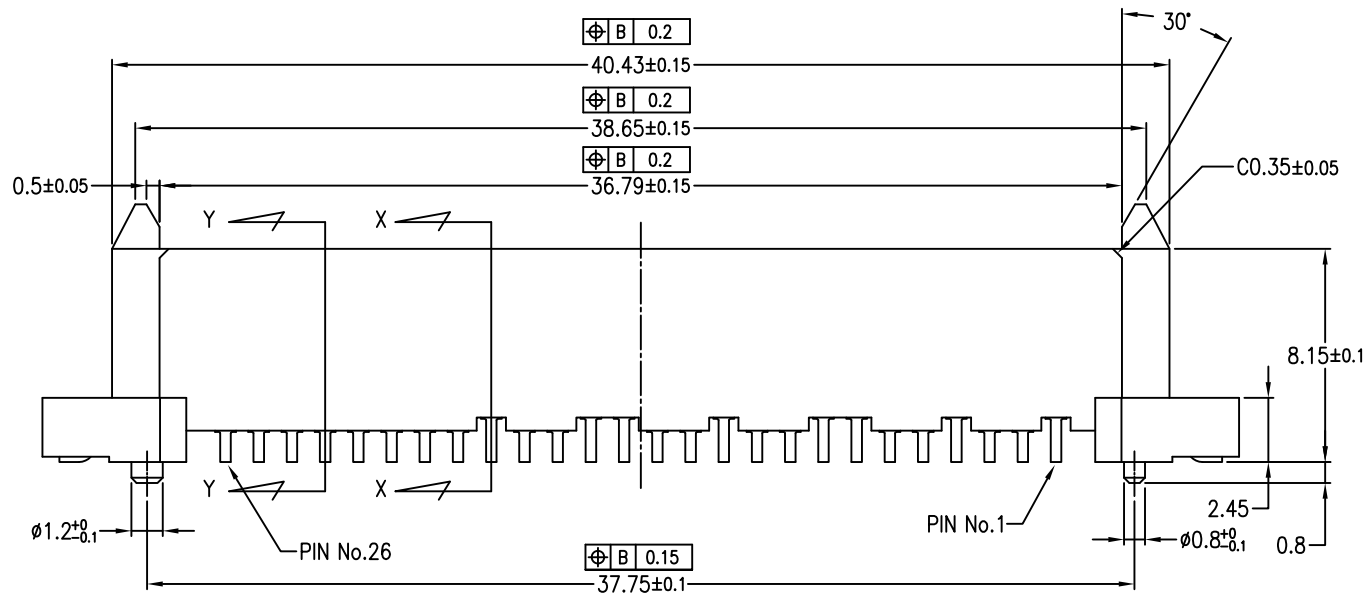
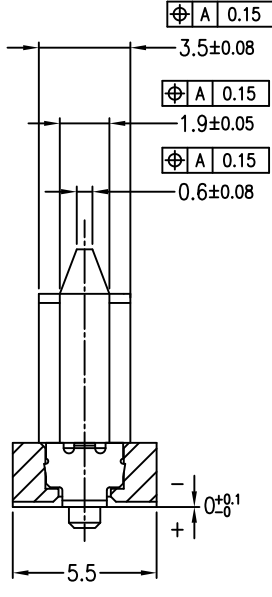
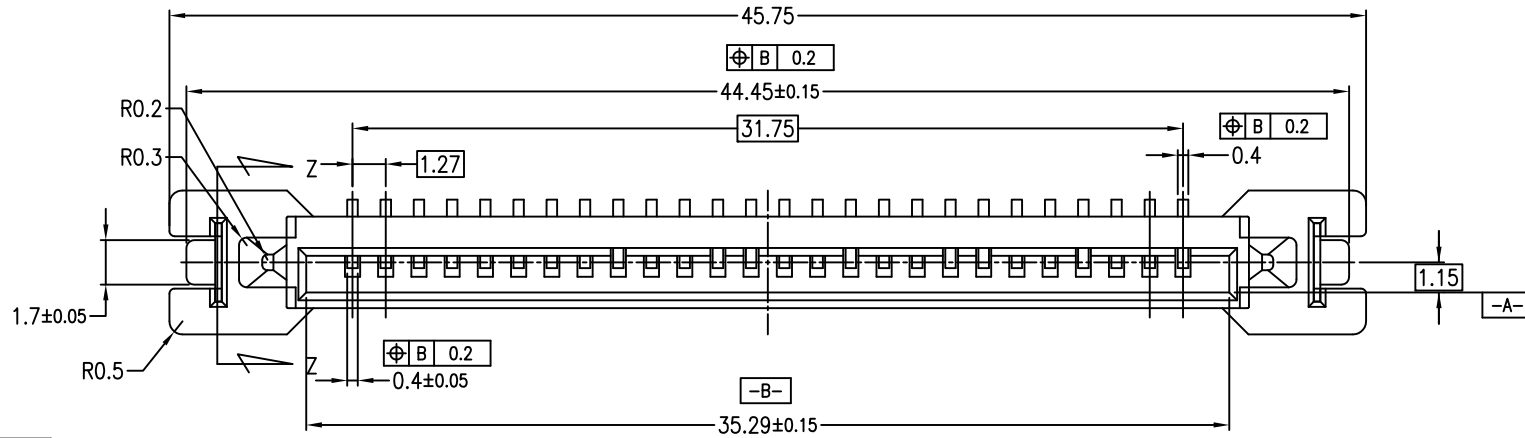


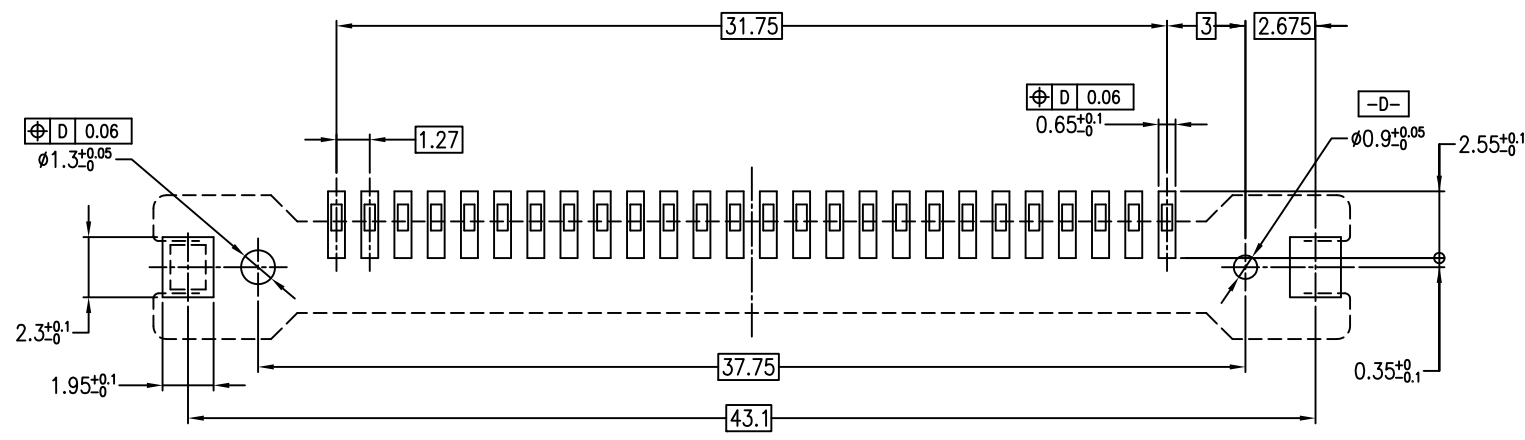
PRODUCT NO.
10034273-001LF



SECT.Z-Z

SECT.X-X

SECT.Y-Y

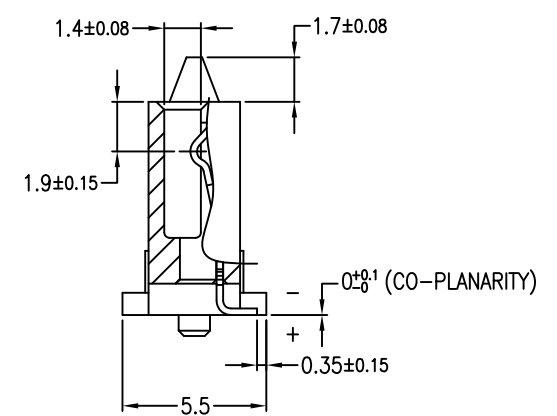
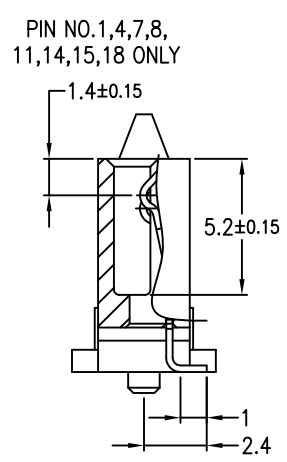
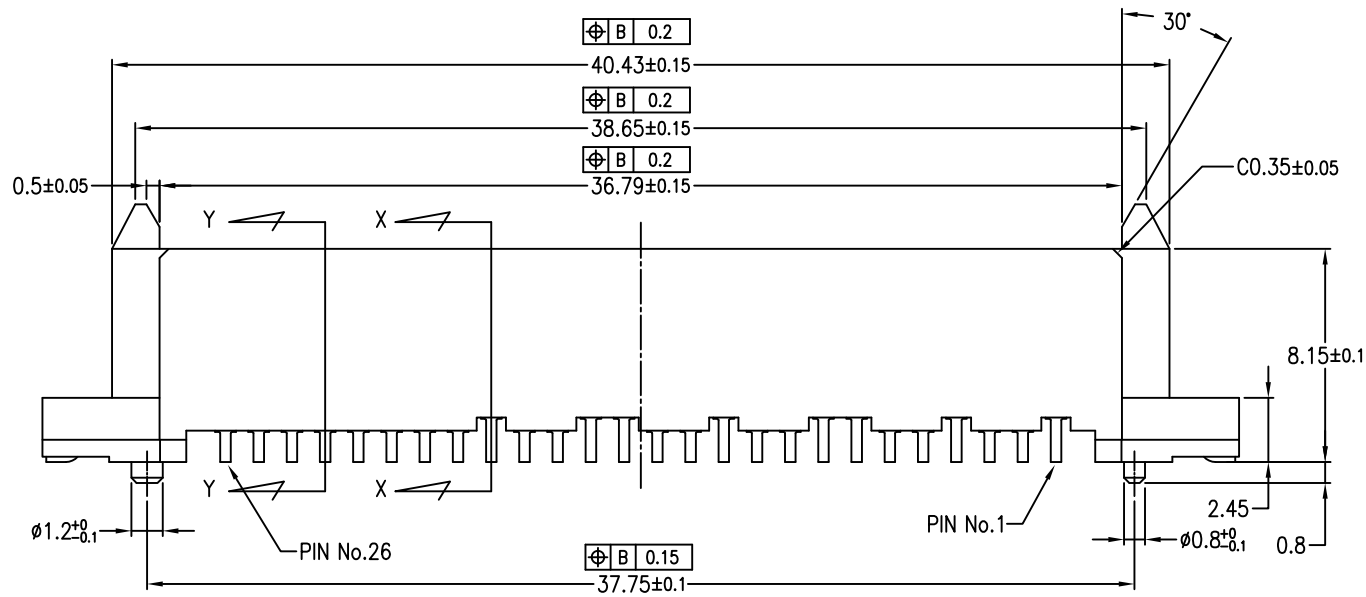
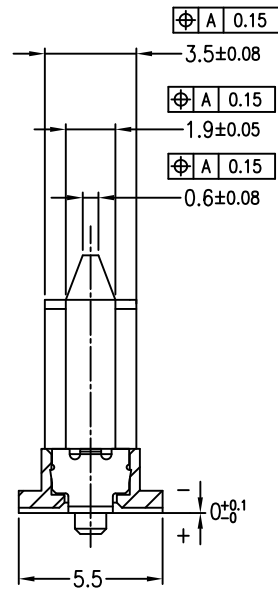
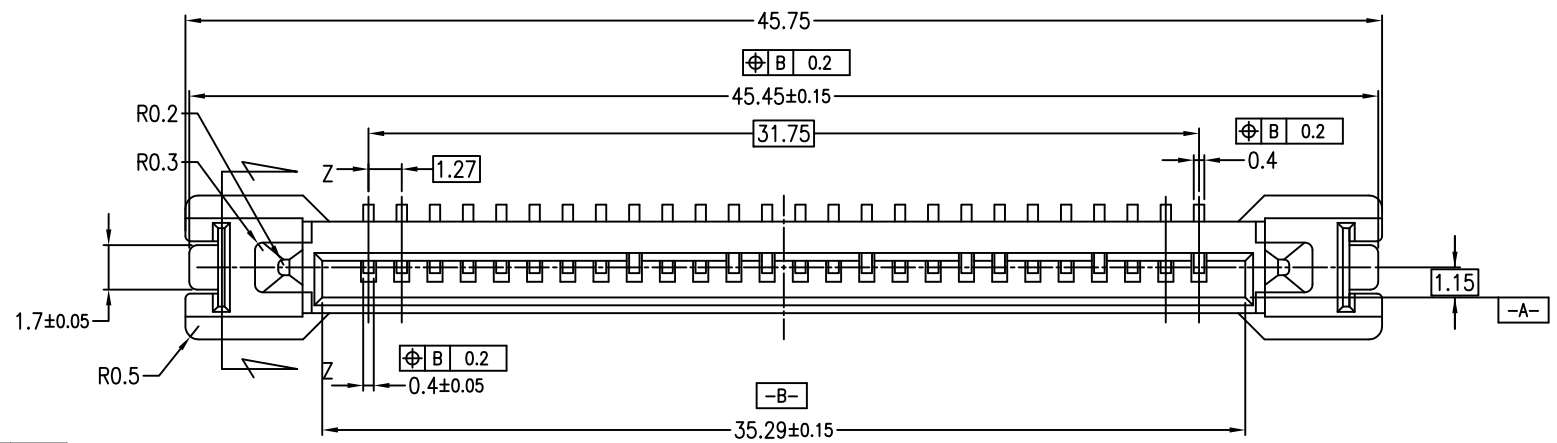


RECOMMENDED MOUNTING LAYOUT
TOLERANCE UNLESS OTHERWISE:±0.1

NOTE
1.MATERIAL
1) HOUSING : HIGH TEMPERATURE THERMOPLASTIC,BLACK, UL94V-0
2) TERMINAL : COPPER ALLOY
2.FINISH
1) TERMINAL : ALL OVER Ni 1.27μm MIN.
CONTACT POINT Au PLATING 0.3μm MIN.
SOLDER TAIL SEE TABLE
3.RoHS
THIS PRODUCT MEETS EUROPEAN UNION DIRECTIVES AND OTHER
COUNTRY REGULATIONSAS DESCRIBED IN GS-22-008

mat'l. code		surface		tolerance		projection		product family		CODE	
---		ISO 1302		ISO 406 ISO 1101		MM		55SF Removable HDD		JP	
ltr	description	ecn no	dr	date	tolerances unless otherwise specified	MM		title		sheet 1 of 2 size	
A	RELEASED	J05-0383	Y.K	6/23/05	0.X ±0.3	5		ASSEMBLY		5	
B	Change of P/N	J07-0464	Y.K	2007-9-13	0.XX ±0.3	5		S-iVDR COMB RECE.		A2	
C	REVISED	J10-0361	Y.K	2010-12-17	0.XXX ±0.3	5		SMT VERT TYPE		5	
D	REVISED	EX-J-012831	Y.K	2012-09-13	0.XXX ±0.3	5		dwg no		5	
						FCJ		10034273		5	
								type		5	
								Product Customer Drawing		5	
sheet	revision	D	D								Rev.
index	sheet	1	2								D

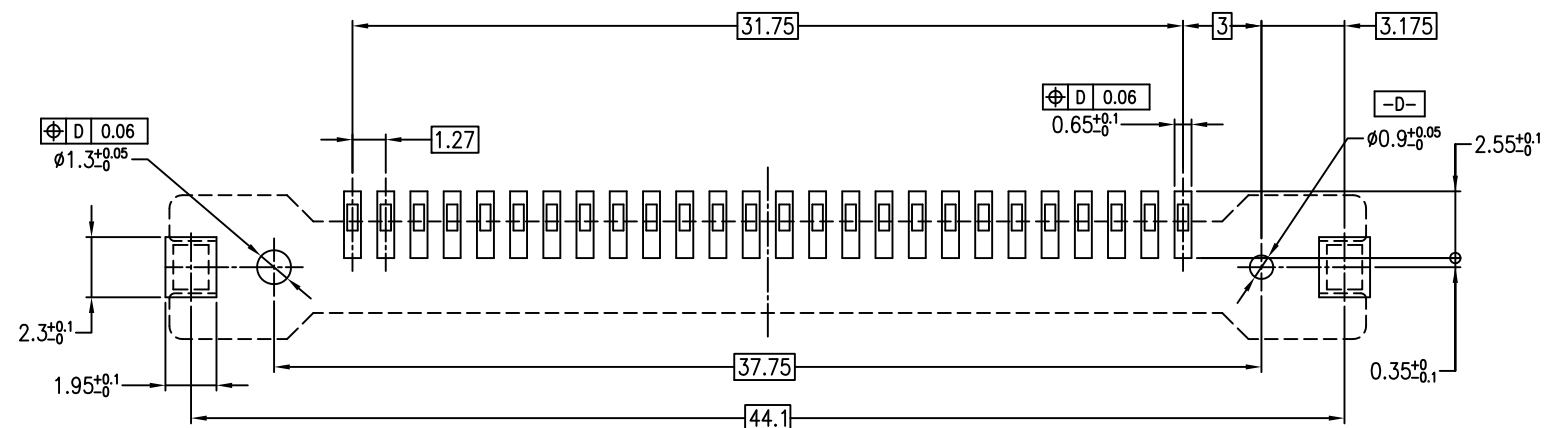
PRODUCT NO.
10034273-002LF



SECT.Z-Z

SECT.X-X

SECT.Y-Y



RECOMMENDED MOUNTING LAYOUT
TOLERANCE UNLESS OTHERWISE:±0.1

- NOTE
- THIS PRODUCT MEETS THE iVDR-HWSPEC (2.5-inch, 1.8-inch Serial type)
 - MATERIAL
 - HOUSING : HIGH TEMPERATURE THERMOPLASTIC,BLACK, UL94V-0
 - TERMINAL : COPPER ALLOY
 - FINISH
 - TERMINAL : ALL OVER Ni 1.27μm MIN.
CONTACT POINT Au PLATING 0.3μm MIN.
SOLDER TAIL SEE TABLE
 - RoHS
THIS PRODUCT MEETS EUROPEAN UNION DIRECTIVES AND OTHER COUNTRY REGULATIONS AS DESCRIBED IN GS-22-008

mat'l. code		surface		tolerance		projection		product family		CODE	
---		ISO 1302		ISO 406 ISO 1101		MM		55SF Removable HDD		JP	
ltr	description	ecn no	dr	date	tolerances unless otherwise specified	MM		title			
C	RELEASED	J10-0361	Y.K	2010-12-17	0.X ±0.3	MM		ASSEMBLY			
D	REVISED	EX-J-012831	Y.K	2012-09-13	0.XX ±0.3	MM		S-iVDR COMB RECE. SMT VERT TYPE			
						scale 5:1		dwg no		sheet 2 of 2 size	
								10034273		A2	
								type		Product Customer Drawing	
sheet index		revision sheet								Rev.	
										D	