

PEC550-12-074xA

AC-DC CRPS Front-End Power Supply

PEC550-12-074xA is a 550 Watt, CRPS AC to DC power supply module with a +12 V main DC output and a +12 V standby output. The power supply operates as a single supply, or N+1 parallel configuration.

PEC550-12-074xA utilizes full digital control architecture for greater efficiency, control and functionality.

This power supply meets international safety standards and displays the CE-Mark for the European Low Voltage Directive (LVD).



Key Features & Benefits

- 80 PLUS Platinum Efficiency
- Input Voltage Range 90 – 264 VAC / 180 – 300 VDC
- Output Voltage 12 VDC
- +12 VSB (2.1 A) Standby Output
- Output Power up to 550 W
- Intel Standard CRPS Form Factor
- Dimensions: 185 x 73.5 x 40 mm (7.28 x 2.89 x 1.57 in)
- High Power Density
- UL/CSA 62368-1, EN/IEC 62368-1 Safety Approved
- Supports N+1 Redundancy, Cold Redundancy, Internal ORing
- Black Box Recorder, Bootloader
- Clockwise and Counter-Clockwise Fan Rotation
- Supports Power Management Bus Communication Protocol

Applications

- Networking Switches
- Servers & Routers
- Telecommunications



bel POWER
SOLUTIONS &
PROTECTION

a bel group

belfuse.com/power-solutions

1. ORDERING INFORMATION

PEC	550	-	12	-	074	x	A
Product Family	Power Level	Dash	V1 Output	Dash	Width	Airflow	Input
PEC Front-Ends	550 W		12 V		73.5 mm	N: Normal R: Reverse	A: AC

2. INPUT

PARAMETER	DESCRIPTION / CONDITION	MIN	NOM	MAX	UNIT
Input Voltage Ranges*	AC Voltage range	90	100-240	264	V _{RMS}
	Start-up		85 ± 5		VAC
	Power Off		75 ± 5		VAC
	HVDC (240 V)	180	240	300	VDC
	Start-up		170 ± 5		VDC
	Power Off		160 ± 5		VDC
AC Line Inrush Current				50	A _p
Input Frequency		47	50/60	63	Hz
Power Factor	230 VAC / 50 Hz and 115 VAC / 60 Hz, 10% load	N/A			
	230 VAC / 50 Hz and 115 VAC / 60 Hz, 20% load	0.90			
	230 VAC / 50 Hz and 115 VAC / 60 Hz, 50% load	0.96			
	230 VAC / 50 Hz and 115 VAC / 60 Hz, 100% load	0.98			
Current iTHD	200 VAC / 230 VAC & 50 Hz / 60 Hz, Output power ≥ 20%			20	
	200 VAC / 230 VAC & 50 Hz / 60 Hz, Output power ≥ 50%			10	%
	200 VAC / 230 VAC & 50 Hz / 60 Hz, Output power ≥ 100%			8	
Efficiency	@ 10% load (230 VAC / 60 Hz)	N/A			%
	@ 20% load (230 VAC / 60 Hz)	90			%
	@ 50% load (230 VAC / 60 Hz)	94			%
	@ 100% load (230 VAC / 60 Hz)	91			%
Hold-up Time V_i	@ 100% load	10			ms
Hold-up Time V_{SB}	@ 100% load	70			ms
AC Line Sag	0 to 1/2 AC cycle (nom AC voltage ranges, 50/60 Hz)		95		%
	> 1 AC cycle (nom AC voltage ranges, 50/60 Hz)	30			
AC Line Surge	Continuous (nom AC voltage ranges, 50/60 Hz)		10		%
	0 to 1/2 AC cycle (mid-point of nom VAC ranges, 50/60 Hz)		30		
AC Line Isolation	Primary to secondary, reinforced insulation	3000			VAC
		4242			VDC

* Note: The Brown IN/OUT Hysteresis min is 5 VAC.

1. Maximum input current at low input voltage range is measured at 100-127 VAC, at max load. (7.5 Arms)
2. Maximum input current at high input voltage range is measured at 200-240 VAC, at max load. (3.6 Arms)
3. 3.6 Arms maximum while input voltage is 240 VDC at max load;
4. AC Brown-in/out loading is 80% load (low line & high line)

2.1 AC INPUT CONNECTOR

The AC input connector is an IEC 320 C-14 power inlet. This inlet is rated for 10 A / 250 VAC.

3. OUTPUT

PARAMETER	DESCRIPTION / CONDITION	MIN	NOM	MAX	UNIT
Output Voltage	VDC adjusted to 12 VDC +/-0.05 VDC @ 50% load		12		VDC
Voltage Regulation Limits	± 5 %	+11.4	+12	+12.6	V _{RMS}
Max Continuous Output Power				550	W
Output Current		0		45	A
Load Regulation			± 3		%
Line Regulation			± 1		%
Overshoot / Undershoot			± 5		%
Transient Load	Δ Step Load Size; 50% of Load Max			0.5	A/μs
Capacitive Loading		2200		20000	μF
Output Ripple & Noise	20 MHz BW			120	mVpp
+12V_{SB} OUTPUT					
+12V _{SB} Output Voltage			+ 12		V _{SB}
Voltage Regulation Limits	± 5 %	+11.4	+12	+12.6	V _{RMS}
+12V _{SB} Output Current		0		2.1	A
Load Regulation			± 3		%
Line Regulation			± 1		%
Overshoot / Undershoot			± 5		%
Transient Load	Δ Step Load Size = 1 A			0.5	A/μs
Capacitive Loading		100		3100	μF
Output Ripple & Noise	20 MHz BW			120	mVpp

3.1 TIMING REQUIREMENTS

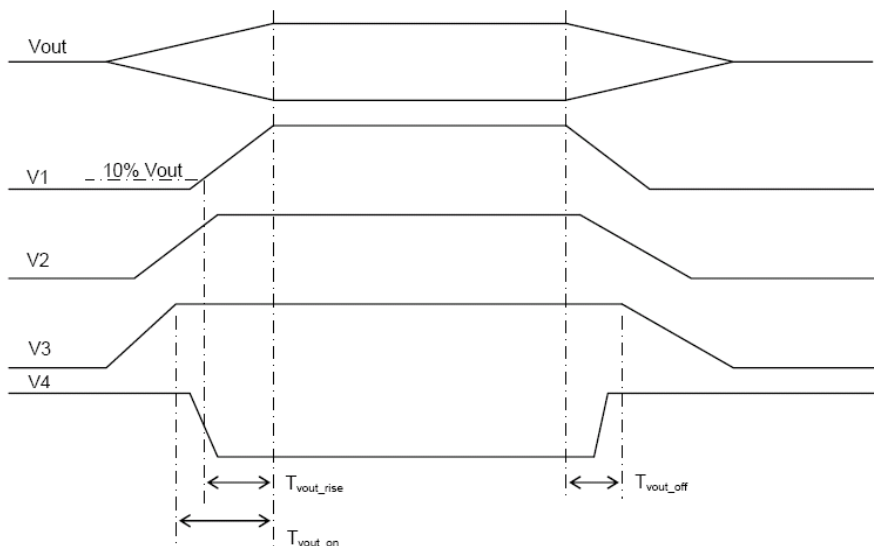


Figure 1. Signal Timing Sequence 1

Timing Values for Signal Timing Sequence 1:

ITEM	DESCRIPTION	MIN	MAX	UNITS
Tvout rise	Output voltage rise time from each main output.	5	70	ms
T12vsb rise	Output voltage rise time for the +12VSB output.	1	50	ms
Tvout_on	All main outputs must be within regulation of each other within this time.		50	ms
Tvout off	All main outputs must leave regulation within this time.		400	ms

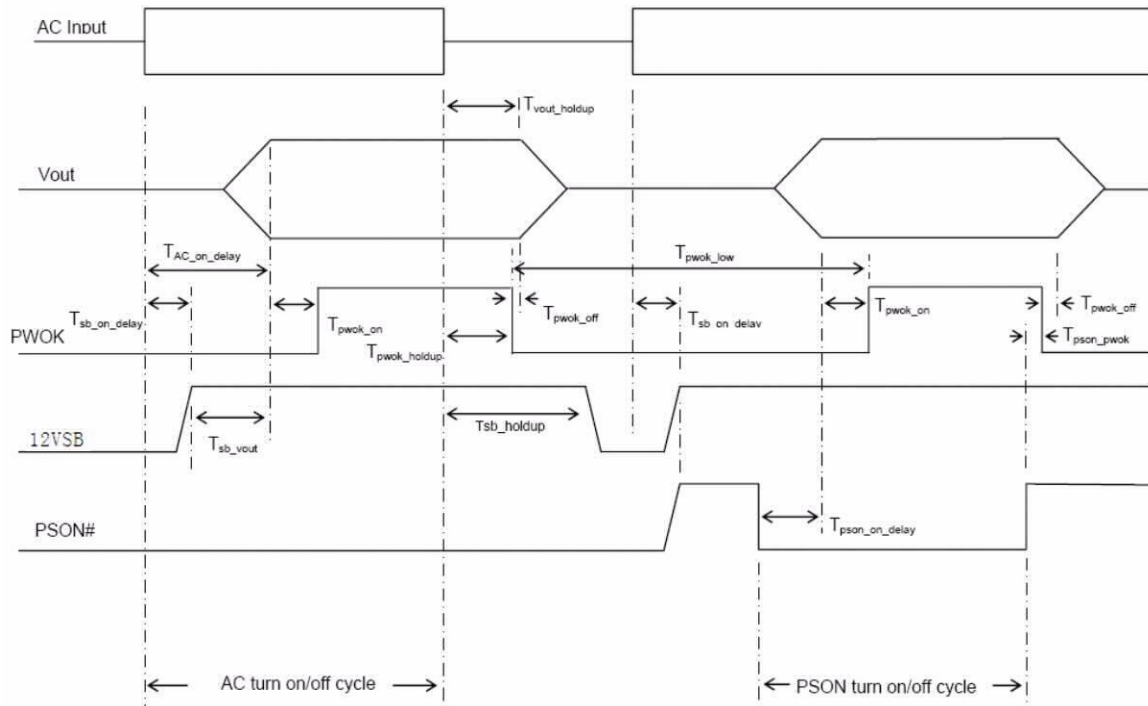


Figure 2. Signal Timing Sequence 2

Timing Values for Signal Timing Sequence 2:

ITEM	DESCRIPTION	MIN	MAX	UNITS
Tsb_on delay	Delay from AC being applied to 12VSB being within regulation.		1500	ms
Tac_on_delay	Delay from AC being applied to all output voltages being within regulation.		2500	ms
Tvout holdup	Time 12V output voltage dropping to regulation after loss of AC at 100% load condition.	11		ms
Tpwok holdup	Delay from loss of AC to desertion of PWOK at 100% load condition.	10		ms
Tpson_on_delay	Delay from PSON# active to output voltages within regulation limits.	5	400	ms
Tpson pwok	Delay from PSON# deactivate to PWOK being deserted.		5	ms
Tpwok_on	Delay from output voltages within regulation limits to PWOK asserted at turn on.	100	500	ms
Tpwok off	Delay from PWOK de-asserted to +12V dropping out of regulation limits.	1		ms
Tpwok_low	Duration of PWOK being in the deserted state during an off/on cycle using AC or the PSON# signal.	100		ms
Tsb_vout	Delay from 12 VSB being in regulation to O/Ps being in regulation at AC turn on.	50	2000	ms
T12VSB holdup	Time the +12VSB output voltage stays within regulation after loss of AC.	70		ms

4. PROTECTION

Protection circuits inside the power supply cause only the power supply’s main outputs to shutdown. If the power supply latches off due to a protection circuit tripping, an AC cycle OFF for 15 sec and a PSON# cycle HIGH for 1 sec shall be able to reset the power supply.

PARAMETER	DESCRIPTION / CONDITION	MIN	NOM	MAX	UNIT
Slow Over Current Protection (OCP)	Shutdown and latch after MIN/MAX timing	20 ms Rating + 10 A		200 ms Rating + 18 A	
Slow OCW	Slow over current warning (SMBAlert#)	10 ms Rating + 6 A		15 ms Rating + 10 A	
OCPstby	Stby over current protection	1 ms 2.5 A		100 ms 4.0 A	
Over Voltage Protection (OVP)	+12 V	13.3	14	14.5	V
	+12V _{SB}	13.3	14	14.5	V
Over Temperature Protection (OTP)	Shutdown				
Short Circuit Protection (SCP)	Shut down and latch off				

4.1 OVERVOLTAGE PROTECTION (OVP)

The power supply over voltage protection will be locally sensed. The power supply will shutdown and latch off after an over voltage condition occurs. This latch will be cleared by toggling the PSON# signal or by an AC power interruption. The values are measured at the output of the power supply’s connectors. The voltage should never exceed the maximum levels when measured at the power connectors of the power supply connector during any single point of fail. The voltage should never trip any lower than the minimum levels when measured at the power connector. 12VSB will be auto-recovered after removing OVP limit.

4.2 OVER TEMPERATURE PROTECTION (OTP)

The power supply will be protected against over temperature conditions caused by loss of fan cooling or excessive ambient temperature. In an OTP condition the PSU will shutdown. When the power supply temperature drops to within specified limits, the power supply will restore power automatically, while the 12 VSB remains always on. The OTP circuit must have built in margin such that the power supply will not oscillate on and off due to temperature recovering condition. The OTP trip level shall have a minimum of 5°C of ambient temperature margin.

4.3 CURRENT LIMITATION (OCP)

The power supply has a current limit to prevent the outputs from exceeding the values shown in table above. If the current limits are exceeded the power supply shuts down and latches off. The latch will be cleared by toggling the PSON# signal or by an AC power interruption. The power supply will not be damaged from repeated power cycling in this condition. 12 VSB will be auto-recovered after removing OCP limit.

4.4 SHORT CIRCUIT PROTECTION (SCP)

The power supply shuts down and latches off for shorting the main outputs. 12 VSB must be capable of being shorted indefinitely. The latch will be cleared by toggling the PSON# signal or by an AC power interruption. The power supply should not be damaged from repeated power cycling in this condition. 12 VSB will be auto-recovered after removing SCP limit.

4.5 OVER POWER PROTECTION (OPP)

The power supply supports over power protection (OPP) level low enough to protect the power supply running in this mode for repeated 1 msec durations at a 1% duty cycle. The power supply should be stable operating at any load point from rated power up to the OPP point.

CRPS-185 Load Requirement for OPP Threshold = (Imax + 49 A) +/-50 W
SMBAlert shall always assert ahead of the OPP threshold being exceeded



Asia-Pacific	Europe, Middle East	North America
+86 755 298 85888	+353 61 225 977	+1 408 785 5200

4.6 CLOSED LOOP SYSTEM THROTTLING (CLST)

The power supply will always assert the SMBAlert# signal whenever temperature-monitored component in the power supply reaches a warning threshold. Upon reduction of the load within 2msec after the SMBAlert# signal is asserted if the load is reduced to less than the power supply rating; the power supply will continue to operate and not shutdown.

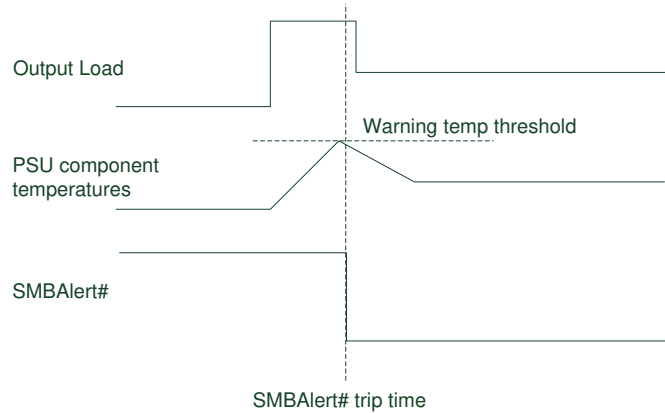


Figure 3. CLST Timing Requirements

4.7 SMART RIDE-THROUGH (SmaRT)

The power supply will assert the SMBAlert# signal < 4 msec after AC input voltage is lost to 0 VAC.

5. CONTROL

5.1 DEVICE ADDRESS LOCATION (B19: A0; B20: A1)

Address Bit 0: A 10k pull-up resistor pulled to internal +3.3 V in the PSU.
Address Bit 1: A 10k pull-up resistor pulled to internal +3.3 V in the PSU.

LOCATIONS	PSU#1	PSU#2
PBD addressA1/A0	0/0	0/1
Power supply FRU device	A0h	A2h
Power supply PSMI device	B0h	B2h
Signal type	10k ohm pull up resistor from +3.3 Vdd device.	
A1 or A0 = low	A1 or A0 address bit = 0	
A1 or A0 = high	A1 or A0 address bit = 1	
	MIN	MAX
Logic level low voltage	0V	0.4V
Logic level high voltage	2.4V	3.46V

5.2 I2C BUS (S6: SCL; S5: SDA)

Each module shall provide SCL/SDA bus for EEPROM read/write of system. It's pull up from +3.3Vdd device by a 10K ohm resistor. System should be has 1k-2k ohm pull high resistor on the SCL/SDA bus. SCL/SDA pin should be link together and closer. The SCL/SDA bus total capacitance must lower 100pF from system and PDB. The max I2C bus speed is 100KHz and the mcu of PSU is slave device in I2C bus .The time interval of I2C command is 1ms.

5.3 SMBAlert# INDICATE (Pin A22: SMBAlert#)

This is an active low signal and indicates that the power supply is experiencing a problem that the user should investigate. This shall be asserted due to Critical events or Warning events. The signal shall activate in the case of critical component temperature reached a warning threshold, general failure, over-current, over-voltage, under-voltage, failed fan. This signal may also indicate the power supply is reaching its end of life or is operating in an environment exceeding the specified limits.

This signal is to be asserted in parallel with LED turning solid Amber or blink Amber.

SIGNAL TYPE (ACTIVE LOW)	OPEN COLLECTOR / DRAIN OUTPUT FROM POWER SUPPLY. PULL-UP TO 3.3 VSB LOCATED IN SYSTEM.	
Alert# = High	OK	
Alert# = Low	Power Alert to system	
	MIN	MAX
Logic level low voltage, Isink=4 mA	0 V	0.4 V
Logic level high voltage, Isink=50uA		3.46 V
Sink current, Alert# = low		4 mA
Sink current, Alert# = high		50 uA

5.4 PS-ON INPUT SIGNAL (PIN: A21: PS-ON)

The PS-ON signal is required to remotely turn on/off the power supply. PSON# is an active low signal that turns on the +12V power rail. When this signal is not pulled low by the system, or left open, the outputs (except the +12VSB) turn off. This signal is pulled to a standby voltage by a pull-up resistor internal to the power supply.

SIGNAL TYPE	ACCEPTS AN OPEN COLLECTOR/DRAIN INPUT FROM THE SYSTEM. PULL-UP TO 3.3VSB LOCATED IN POWER SUPPLY.	
PSON# = Low	ON	
PSON# = High or Open	OFF	
	MIN	MAX
Logic level low (power supply ON)	0 V	1.0 V
Logic level high (power supply OFF)	2.0 V	3.46 V
Source current, Vpson = low		4 mA
Power off delay: Tpson_off_delay		5 msec
Power up delay: Tpson_on_delay	5 msec	400 msec
PWOK delay: T pson_pwok		5 msec

5.5 PWOK OUTPUT SIGNAL (PIN A25: PWOK)

PWOK is a power OK signal and will be pulled HIGH by the power supply to indicate that all the outputs are within the regulation limits of the power supply. When any output voltage falls below regulation limits or when AC power has been removed for a time sufficiently long so that power supply operation is no longer guaranteed, PWOK will be de-asserted to a LOW state. See Table: for a representation of the timing characteristics of PWOK. The start of the PWOK delay time shall inhibited as long as any power supply output is in current limit.



Signal Type	Open collector/drain output from power supply. Pull-up to 3.3VSB located in the power supply.	
PWOK = High	Power OK	
PWOK = Low	Power Not OK	
	MIN	MAX
Logic level low voltage, Isink=400uA	0V	0.4 V
Logic level high voltage, Isource=200uA	2.4V	3.46 V
Sink current, PWOK = low		400 uA
Source current, PWOK = high		2 mA
PWOK delay: Tpwok_on	100ms	500 ms
PWOK rise and fall time		100 usec

5.6 SMART ON CONTROL (PIN B22: ENABLE BY SYSTEM)

Before enabling Smart On function, make sure pin B22 (SMART ON) on output golden finger of each

PSU is connected together. When the pin is HIGH in the Smart On mode, the slave power supply will enter the Smart Standby mode if system total loading under PSU's pre-set load level. When the pin is LOW in the Smart On mode, the Smart Standby mode power supplies will work in normal redundancy mode.

Smart On feature supports 1+1, 2+1, and 3+1 redundant configurations. It uses the Power Management Bus manufacturer specific command area to define Power Management Bus commands for the system to communicate with the power supplies for enabling, configuration, and monitoring.

The Power Management Bus manufacturer specific command MFR_SPECIFIC_00 is used to configure the operating state of the power supply related to Smart On. We will call the command SMART_ON_CONFIG (D0h). Below is the definition of the values used with the Read-Write Byte SMBus protocol with PEC.

Cold_Redundancy_Config (D0h)		
Value	State	Description
00h	Standard Redundancy (default power on state)	Turns the power supply ON into standard redundant load sharing more. The power supply make sure no other PSU enter Smart_On mode.
01h	Cold Redundant Active ¹	Defines this power supply to be the one that is always ON in a cold redundancy configuration.
02h	Cold Standby 1 ¹	Defines the power supply that is third to turn off in a Smart On configuration (800ms later) and first to turn on as the load increases.
03h	Cold Standby 2 ¹	Defines the power supply that is second to turn off in a Smart On configuration (600ms later) and second to turn on as the load increases.
04h	Cold Standby 3 ¹	Defines the power supply that is first to turn off in a Smart On configuration (400ms later) and third to turn on as the load increases.

The trigger levels above may have a +/-10% tolerance for actual application. The default state of power supply is in Standard Redundancy mode. Power supply need to be re-specified a state whenever initial power on or the operating module predicts failure. The SMART_ON_CONFIG command will reset to 00h (Standard Redundancy) when any fault happened. And when an active power supply asserts, all parallel power supplies in Smart Standby mode shall power on immediately.

5.6.1 SMART STANDBY POWER SUPPLY OPERATING STATE

A power supply is put into Smart Standby whenever PSON# is asserted, SMART_RED# is de-asserted, and SMART_ON_CONFIG value is set to 02h, 03h, or 04h. In the Smart Standby mode the power supply must.

1. Power ON when Smart_On bus is driven LOW.
2. Keep PWOK asserted.
3. No Power Management Bus fault conditions reported via STATUS commands, any fault happen will made PSU leave smart standby mode.
4. Keep all fans rolling
5. LED is green blinking under normal conditions, amber blinking if any warning conditions happen.

5.6.2 POWERING ON SMART STANDBY SUPPLIES TO MAINTAIN BEST EFFICIENCY

Power supplies in Smart Standby state shall monitor the shared voltage level of the load share signal to sense when it needs to power on. Depending upon which position (1, 2, or 3) the system defines that power supply to be in the Smart Standby configuration; will slightly change the load share threshold that the power supply shall power on at.

5.6.3 POWERING ON SMART STANDBY SUPPLIES DURING A FAULT OR OVER CURRENT CONDITION

Some warnings happen or 12V output shutdown due to any fault will cause SRED_OK# driven low. When an active power supply asserts its SRED_OK# signal, all parallel power supplies in Smart Standby mode shall power on immediately.

The trigger condition:

1. 12V OC warning/ fault happens
2. 12V OVP fault
3. 12V Smart ON UVP (lower than 11.8V)
4. OTP fault
5. Fan speed fault
6. AC loss (Refer to section 3.1.3 table1, Power off voltage)
7. Send 00h to Power Management Bus D0h command
8. PSON# de-assertion happens

5.6.4 THE WAY TO ENABLE SMART ON FUNCTION

Here are the steps to put PSU into smart on mode. PSU which is assigned as smart on standby can operate in a power-off state and turn on main power if necessary.

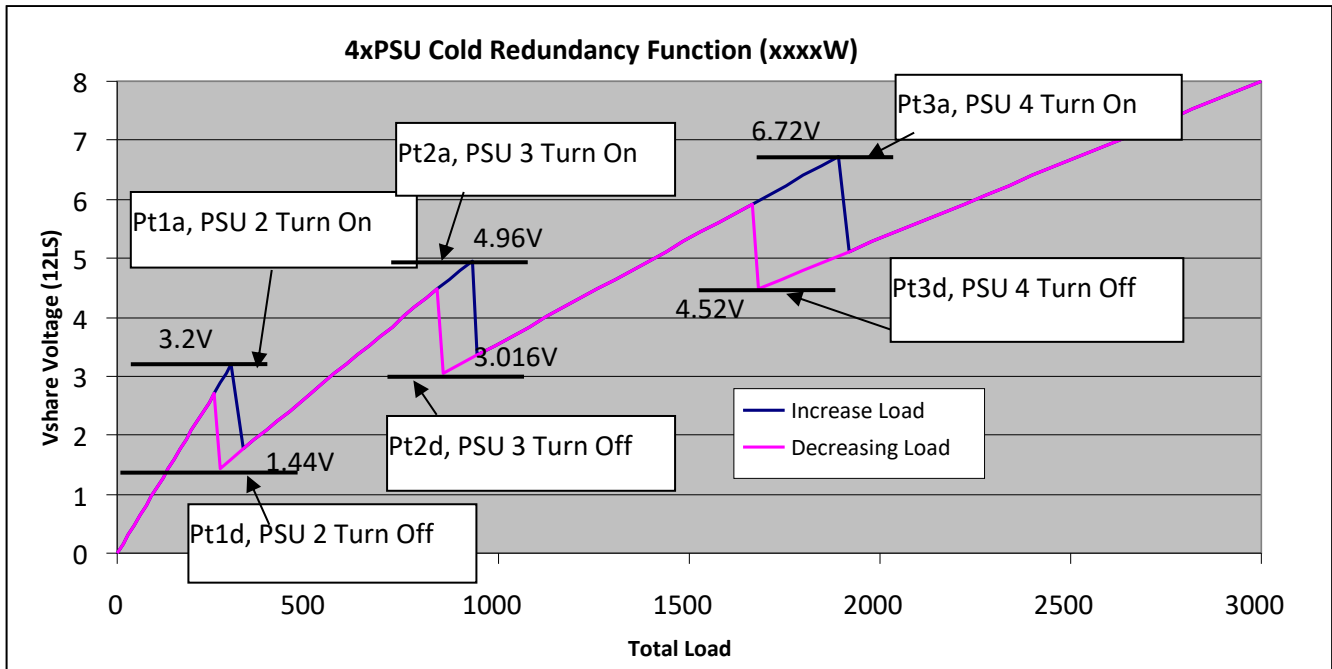


Figure 4. Power On/Off of power supplies in Smart on Mode (4xxxxW PSUs)

5.7 PRESENT_N# (Pin B24, OPTIONAL)

This signal is an active low type signal and is connected to the power supply's output ground internally. The mating pin of this signal in system side should have a pull-up resistor which limit the max. current 4mA to go through from this signal pin to the power supply. A Low state on this signal indicates the PSU is physically presents.

5.8 PS-KILL (Pin B25, OPTIONAL)

The purpose of the PS_KILL pin is to enhance for hot swapping of the power supply. The PS_KILL pin on the power supply is shorter than the other signal pins. When a power supply is operating in parallel with other power supplies and then extracted from the system, the PS_KILL pin will quickly turn off the power supply main output +12V and prevent arcing of the DC output contacts. When the PS_KILL signal pin is not pulled down or left opened (power supply is extracting from the system), the power supply shuts down regardless of the condition of the PSON# signal. The mating pin of this signal in the system should be tied to ground. Internal to the power supply, the PS_KILL pin is connected to an internal +3.3V voltage through a 10kΩ pull-up resistor. Upon receiving a LOW state signal at the PS_KILL pin, the power supply will be allowed to turn on via the PSON# signal. A LOW state on this pin by itself will not turn on the power supply +12V output. The below table shows the PS_KILL signal characteristics.

SIGNAL STATES	+12V
PS_KILL = LOW, PSON = LOW	ON
PS_KILL = HIGH or OPEN, PSON = LOW	OFF
PS_KILL = LOW, PSON = HIGH or OPEN	OFF

6. ELECTROMAGNETIC COMPATIBILITY

6.1 IMMUNITY

The power supply shall comply with EN55024.

PARAMETER	DESCRIPTION / CONDITION	CRITERION
Electrostatic Discharge	IEC / EN 61000-4-2	B
Radiated Immunity	IEC / EN 61000-4-3	A
Fast Transient / Burst	IEC / EN 61000-4-4	B
Surge Immunity	IEC / EN 61000-4-5 (Line to Earth: ±2 kV; Line to Line: ±1 kV)	A
Conducted Susceptibility	IEC / EN 61000-4-6	A
Power Frequency Magnetic Field	EN 61000-4-8	
Voltage Dips and Interruptions	IEC / EN 61000-4-11	

6.2 EMISSION

PARAMETER	DESCRIPTION / CONDITION	CRITERION
Conducted & Radiated Emissions	EN 55022 / CISPR 22	Class B 4 dB margin
Voltage Fluctuation and Flicker	IEC 61000-3-3	Class A
Acoustical Noise	Variable speed fan(s) incorporated	TBD dBA

7. SAFETY / APPROVALS

PARAMETER	DESCRIPTION / CONDITION
Agency Approvals	<ul style="list-style-type: none"> UL/CSA 62368-1 (USA/Canada) EN/IEC 62368-1 (Europe/International) CB Certificate & Report, IEC62368-1 (Report to include all country national deviations) CE – Low Voltage Directive 2006/95/EC (Europe) Nordics -EMKO-TSE (74-SEC) 207/94 GB4943- CNCA Certification (China)
Leakage Current	Max. 3.5 mA at 264 VAC, 60 Hz

8. ENVIRONMENTAL

PARAMETER	DESCRIPTION / CONDITION	MIN	NOM	MAX	UNIT
Ambient Temperature	Operating	0		+55	°C
	Non-Operating	-40		+70	
Humidity	Operating, relative (non-condensing)	5		85	%
	Non-Operating, relative (non-condensing)	5		95	
Altitude	Operating	0		5 000	m
	Non-Operating	0		15200	
Mechanical Shock (non-operating)	50 G Trapezoidal Wave, Velocity change = 170 in. / sec				
Vibration (non-operating) sinusoidal	1.5G, pk-pk, 10 Hz-500 Hz-10 Hz, 0.5 octave/min; 2 sweeps per axis				
Vibration, (non-operating) random	2 Grms, 10 Hz-500 Hz, 60 mins per axis				
Thermal Shock (non-operating)	50 cycles, 30°C/min. \geq transition time \geq 15°C/min	-40		+70	°C

9. RELIABILITY

PARAMETER	DESCRIPTION / CONDITION	MIN	NOM	MAX	UNIT
Mean time between failures (MTBF)	$T_A = 40^\circ\text{C}$, 75% load, according Telcordia SR-332	250			kh

10. MECHANICAL

PARAMETER	DESCRIPTION / CONDITION	MIN	NOM	MAX	UNIT
Dimensions (W x H x L)			73.5 x 40.0 x 185		mm
			2.89 x 1.57 x 7.28		in
Weight			740		g

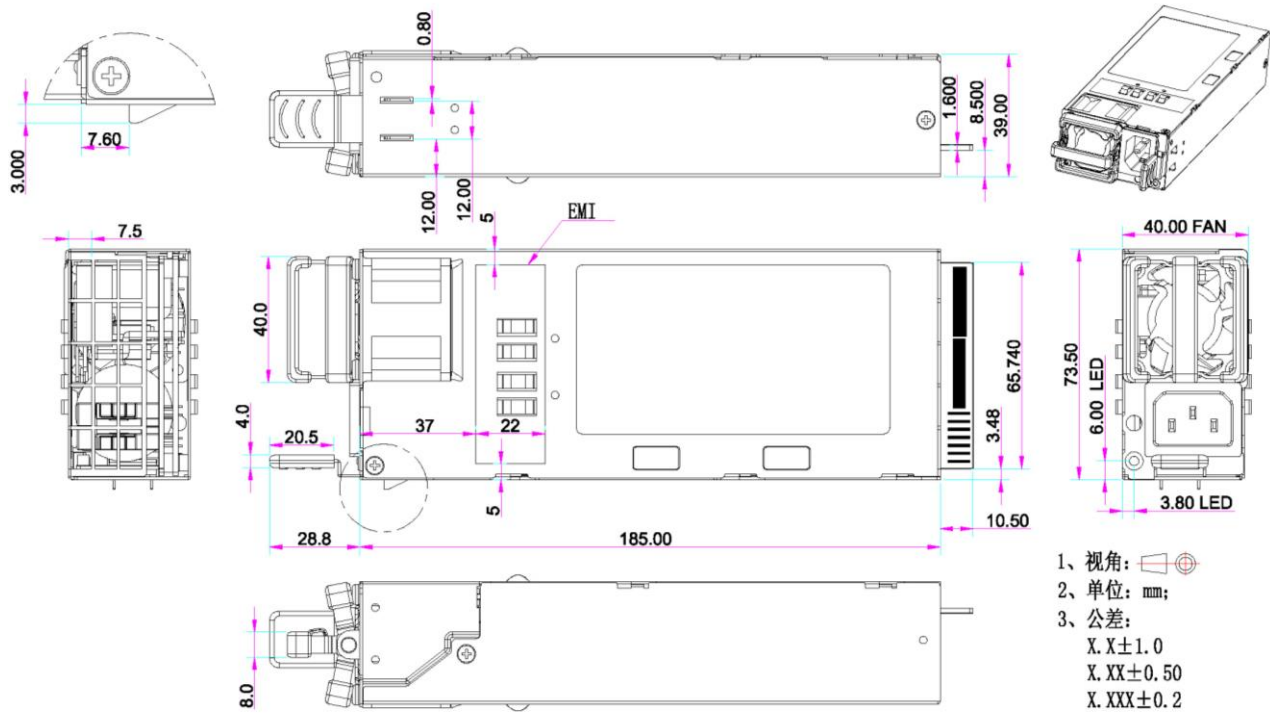


Figure 5. Mechanical Drawing

10.1 AIRFLOW DIRECTION

The normal airflow direction is from the card edge connector side to the AC inlet side of the power supply. The reverse airflow direction flows from the AC inlet side of the power supply to the card edge connector side (Fan out & forward Fan).

10.2 9.2 HANDLE RETENTION

The power supply has a handle to assist extraction. The module can be able to be inserted and extracted without the assistance of tools. The power supply has a latch which retains the power supply into the system and prevents the power supply from being inserted or extracted from the system when the AC power cord is pulled into the power supply. The handle protects the operator from any burn hazard through the use of the Customer Corporation Industrial designed plastic handle.

10.3 LED MARKING AND IDENTIFICATION

The power supply has a single bi-colored LED for indication of the power supply status. Green & Amber.

POWER SUPPLY CONDITION	LED STATE
Output ON and OK	GREEN
No AC power to all power supplies	OFF
AC present / Only 12VSB on (PS off) or PS in Smart on state	1 Hz Blink GREEN
AC cord unplugged or AC power lost; with a second power supply in parallel still with AC input power.	AMBER
Power supply warning events where the power supply continues to operate; high temp, high power, high current, slow fan.	1 Hz Blink Amber
Power supply critical event causing a shutdown; failure, OCP, OVP, Fan Fail	AMBER
Power supply FW updating	2 Hz Blink GREEN

11. CONNECTORS

11.1 DC OUTPUT CONNECTOR PIN LOCATIONS

The power supply uses a card edge output connection for power and signal that is compatible with a 2x25 Power Card Edge connector (equivalent to 2x25 pin configuration of the FCI power card connector 10035388102LF).

PIN-OUT	DEFINITION	PIN-OUT	DEFINITION
A1-9	GND	B1-9	GND
A10-18	+12V	B10-18	+12V
A19	Power Management Bus SDA	B19	A0 (SMBus Address)
A20	Power Management Bus SCL	B20	A1(SMBus Address)
A21	PSON	B21	+12VSB
A22	SMBAlert#	B22	SMART_ON
A23	Return Sense (Remote sense-)	B23	+12V Load Share Bus
A24	+12V Remote Sense (Remote sense+)	B24	PRESENT# (Reserved)
A25	PWOK	B25	NC

Note: B25 is optional signal for PS_KILL or Vin_good;

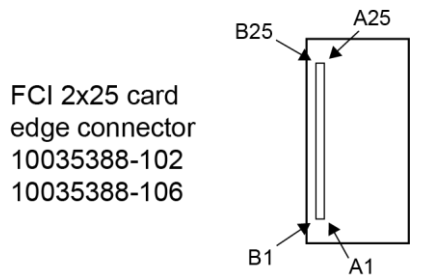


Figure 6. Back DC output golden finger port

For more information on these products consult: tech.support@psbel.com

NUCLEAR AND MEDICAL APPLICATIONS - Products are not designed or intended for use as critical components in life support systems, equipment used in hazardous environments, or nuclear control systems.

TECHNICAL REVISIONS - The appearance of products, including safety agency certifications pictured on labels, may change depending on the date manufactured. Specifications are subject to change without notice.



Asia-Pacific
+86 755 298 85888

Europe, Middle East
+353 61 225 977

North America
+1 408 785 5200