

4715SL (119[□] x 38^L)



EMINEBEA.COM

General Specifications

Motor Protection:
Auto Restart/Polarity Protection

Insulation Resistance: 10M Ω or over with a DC500V Megger

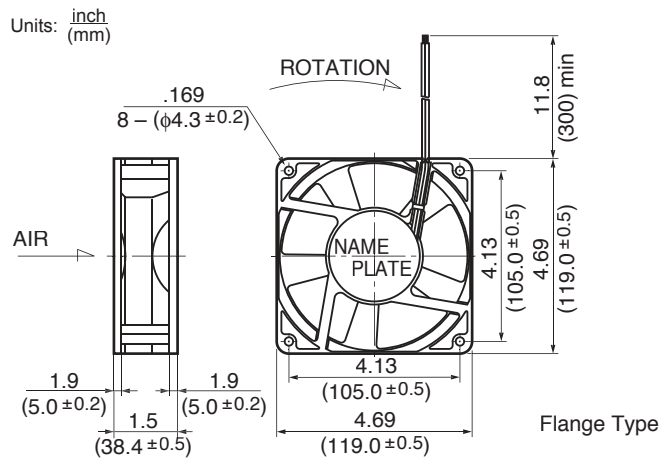
Dielectric Withstand Voltage: AC 700V 1s

Allowable Ambient Temperature Range:
-10°C ~ +60°C (Operating)
-40°C ~ +70°C (Storage)
(non-condensing environment)

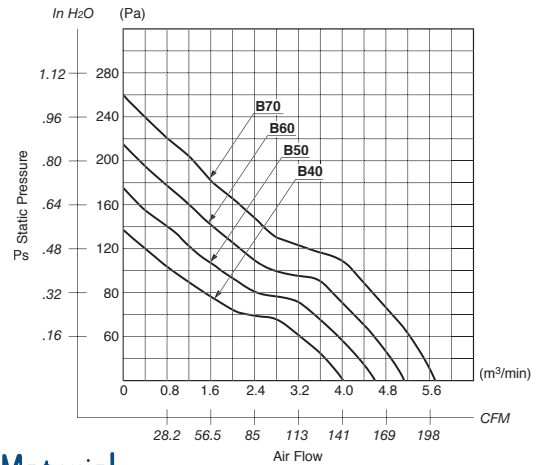
Expected Life

Failure Rate: 10%
25°C 100,000 Hours (D00)

Outline



Characteristic Curves



Material

Casing : Aluminum (Black)
Impeller : Plastic (Black) 94V-0
Bearing : Ball Bearing
Lead Wire : UL1007, AWG24, +Red, -Black

Specifications

MODEL	Product No.	Rated Voltage	Operating Voltage	Current	Input Power	Speed	Max. Air Flow		Max. Static Pressure		Noise	Mass
		(V)	(V)	(A) ^{*1}	(W) ^{*1}	(min ⁻¹) ^{*1}	CFM ^{*1}	(m ³ /min) ^{*1}	in H ₂ O	(Pa) ^{*1}	(dB) ^{*1}	(g)
4715SL-04W-B40-	D00	12	8.0 ~ 13.8	1.00	12.00	3700	141.9	4.02	.54	136.0	53.5	400
4715SL-04W-B50-	D00	12	8.0 ~ 13.2	1.46	17.50	4200	162.0	4.59	.69	173.0	56.5	400
4715SL-04W-B60-	D00	12	8.0 ~ 12.9	1.92	23.00	4700	181.0	5.13	.85	213.0	59.5	400
4715SL-04W-B70-	D00	12	8.0 ~ 12.6	3.20	38.40	5100	201.0	5.69	1.04	260.5	62.3	400
4715SL-05W-B40-	D00	24	15.0 ~ 27.6	0.52	12.50	3700	141.9	4.02	.54	136.0	53.5	400
4715SL-05W-B50-	D00	24	15.0 ~ 27.6	0.74	17.80	4200	162.0	4.59	.69	173.0	56.5	400
4715SL-05W-B60-	D00	24	15.0 ~ 26.4	0.93	22.40	4700	181.0	5.13	.85	213.0	59.5	400
4715SL-05W-B70-	D00	24	15.0 ~ 25.2	1.50	36.00	5100	201.0	5.69	1.04	260.5	62.3	400
4715SL-07W-B40-	D00	48	30.0 ~ 55.2	0.27	13.00	3700	141.9	4.02	.54	136.0	53.5	400
4715SL-07W-B50-	D00	48	30.0 ~ 55.2	0.37	17.80	4200	162.0	4.59	.69	173.0	56.5	400
4715SL-07W-B60-	D00	48	30.0 ~ 52.8	0.49	23.50	4700	181.0	5.13	.85	213.0	59.5	400
4715SL-07W-B70-	D00	48	30.0 ~ 50.4	0.83	39.84	5100	201.0	5.69	1.04	260.5	62.3	400

Rotation: Clockwise

Airflow Outlet: Air Out Over Struts

*1: Average Values in Free Air