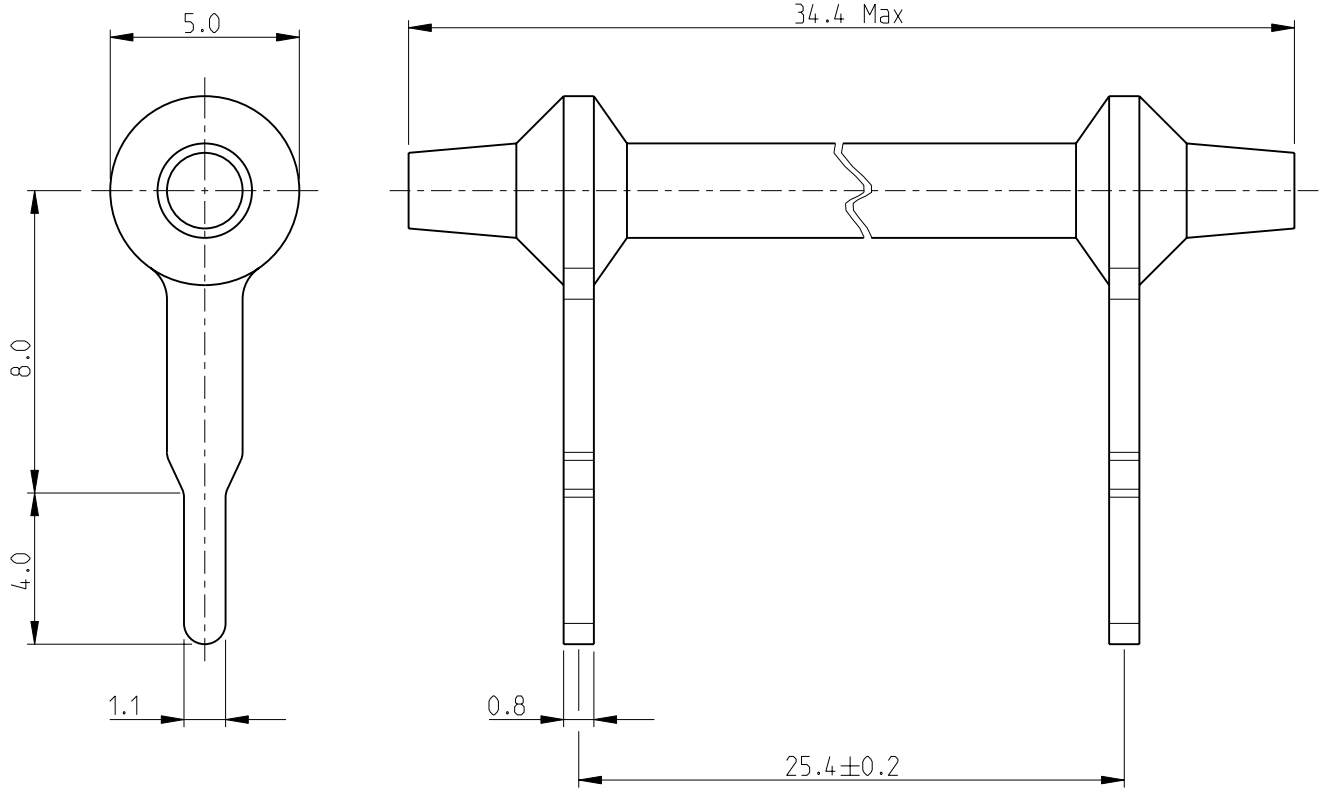


LOC	DIST	REVISIONS					
E	B	P	LTR	DESCRIPTION	DATE	DWN	APVD
			BA	NEW RELEASE	05-AUG-09	SM	St.P

FOR FURTHER INFORMATION SEE DATA SHEET FOR
SERIES FC- HIGH POWER RESISTORS



RoHS Compliant

SCALE 3:1

2009

RELEASED FOR PUBLICATION

THIS DRAWING IS UNPUBLISHED.

BY TYCO ELECTRONICS CORPORATION. ALL RIGHTS RESERVED.

© COPYRIGHT 2009

DIMENSIONS: mm	DWN	05-AUG-09	MATERIAL	-	FINISH	-
	SUBHASH.M					
TOLERANCES UNLESS OTHERWISE SPECIFIED:	CHK	05-AUG-09	Tyco Electronics Corporation Dorcan, Swindon, SN3 5HH			
	ALLAN.P					
0 PLC ±0.5	APVD	05-AUG-09	NAME HIGH POWER RESISTORS SERIES FC6 (LOW PROFILE STANDOFF)			
1 PLC ±0.2	STEPHEN.P					
2 PLC ±0.1	PRODUCT SPEC	-	SIZE	CAGE CODE	DRAWING NO	RESTRICTED TO
3 PLC ±-	APPLICATION SPEC	-	A 4	00779	©-1623710	-
4 PLC ±-			CUSTOMER DRAWING			
ANGLES ±5°	WEIGHT	-	SCALE	5:1	SHEET	1 OF 1
			REV	BA		