

THIS DRAWING IS UNPUBLISHED.

RELEASED FOR PUBLICATION

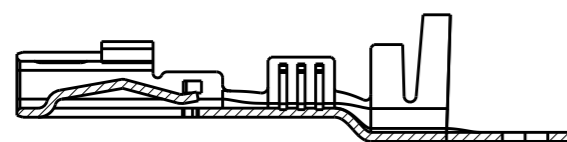
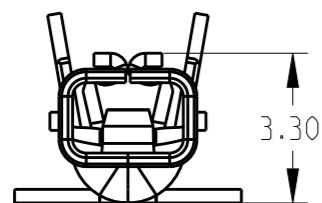
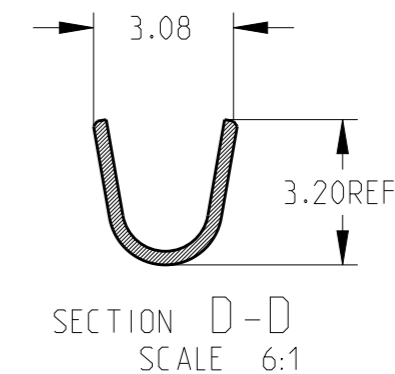
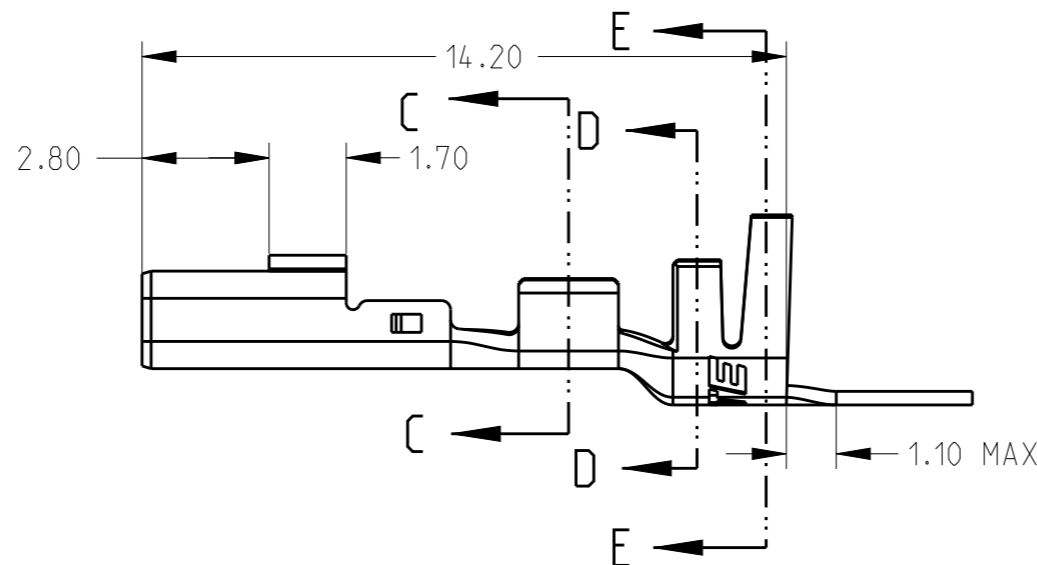
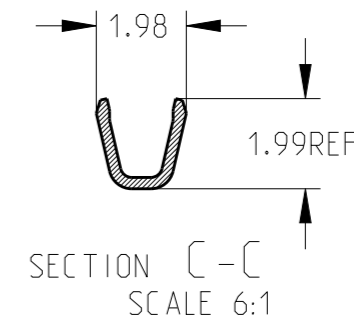
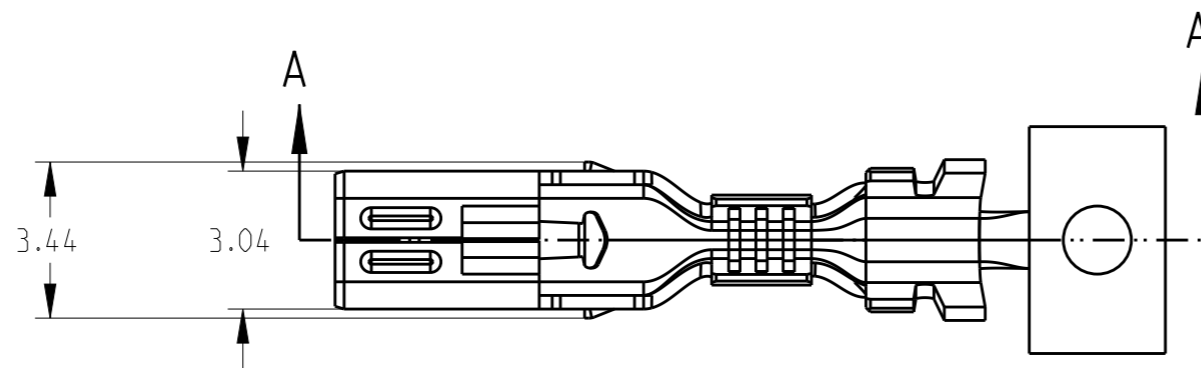
© COPYRIGHT 19 BY -

ALL RIGHTS RESERVED.

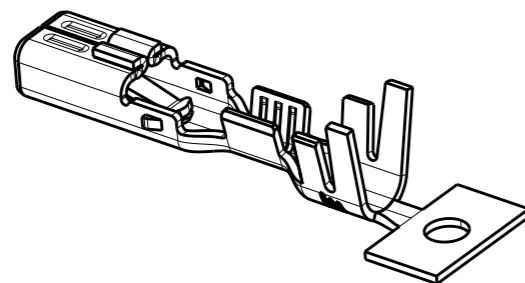
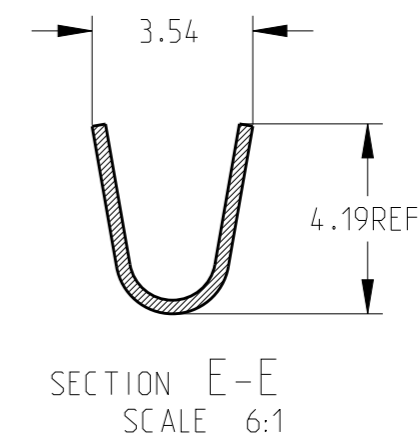
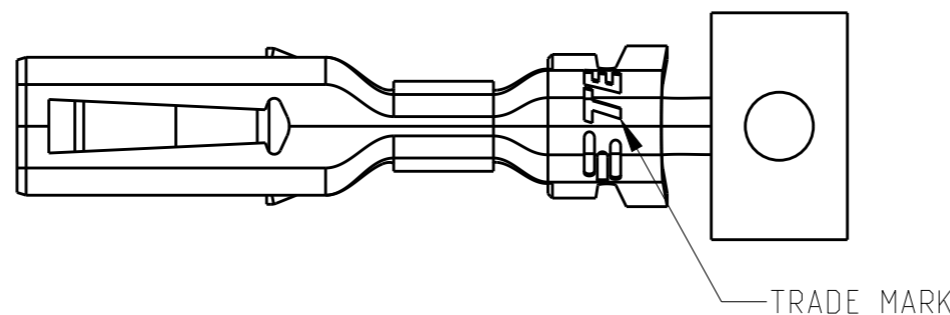
LOC ES DIST 00

REVISIONS

P	LTR	DESCRIPTION	DATE	DWN	APVD
	A2	REVISED PER ECR-19-003481	19JUN19	N.L	D.Z



SECTION A-A



NOTE:
 1.MATERIAL:COPPER ALLOY,PRE-TINNED
 2.APPLICABLE HOUSING P/N:1983658-*, 1983659-*, 1983660-*

THIS DRAWING IS A CONTROLLED DOCUMENT.

DIMENSIONS:	TOLERANCES UNLESS OTHERWISE SPECIFIED:
mm	
	0 PLC ±1.0
	1 PLC ±0.50
	2 PLC ±0.300
	3 PLC ±0.2000
	4 PLC ANGLES ±

MATERIAL - FINISH -

DWN	LEO LIU	24AUG2011
CHK	WU HAPYE	24AUG2011
APVD	ERIC KONG	24AUG2011
PRODUCT SPEC	108-106071	
APPLICATION SPEC	114-106071	
WEIGHT	-	

TE Connectivity		NAME	
		REC. CONTACT MULTI 6P CONNECTOR	
SIZE	CAGE CODE	DRAWING NO	RESTRICTED TO
A3	-	©=1983664	
CUSTOMER DRAWING		SCALE	SHEET 1 OF 1 REV A2
		N/A	