

SECTION A-A

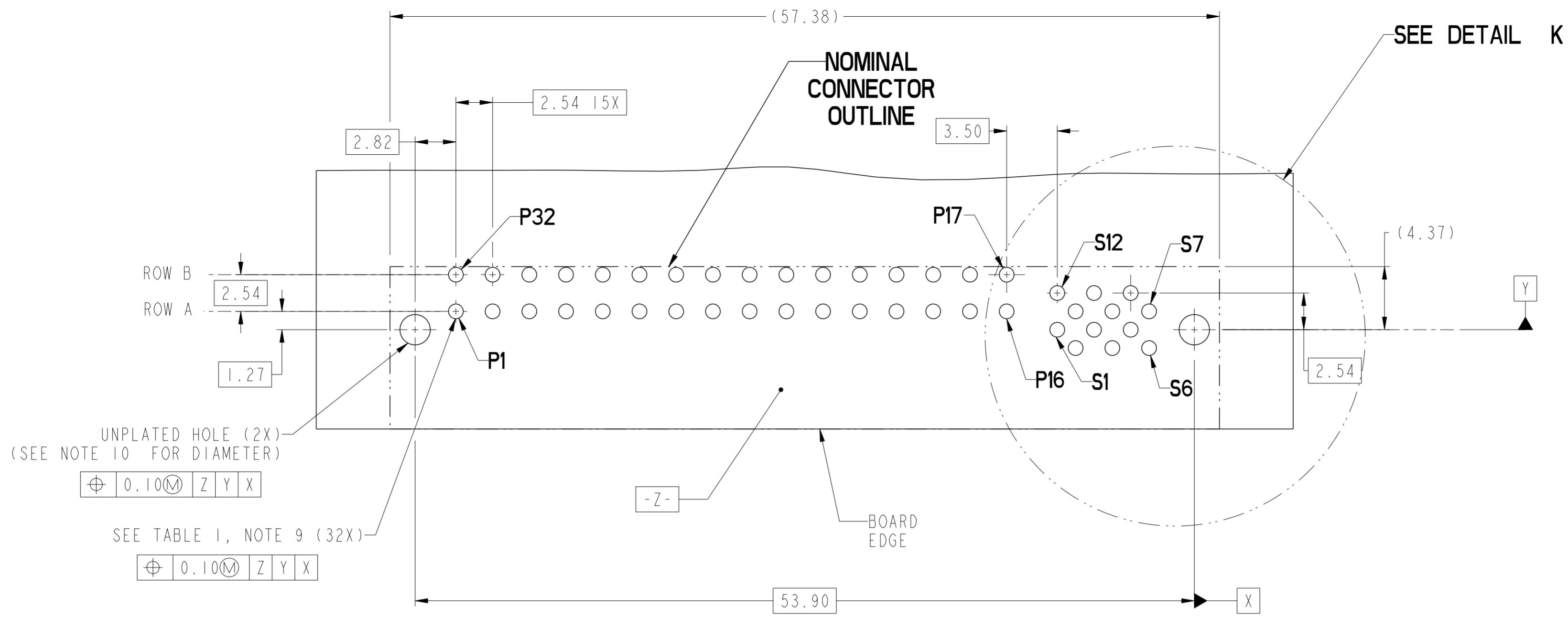
SECTION B-B

rev	ecn no	dr	date
A	---	HT	2012-07-10
-	-	-	-
-	-	-	-
-	-	-	-
-	-	-	-

spec ref	-												
tolerance std	TOLERANCES UNLESS OTHERWISE SPECIFIED												
surface	<table border="1"> <tr> <td>linear</td> <td>0.X</td> <td>±0.30</td> </tr> <tr> <td></td> <td>0.XX</td> <td>±0.10</td> </tr> <tr> <td></td> <td>0.XXX</td> <td>±0.05</td> </tr> <tr> <td>angular</td> <td>0°</td> <td>±2°</td> </tr> </table>	linear	0.X	±0.30		0.XX	±0.10		0.XXX	±0.05	angular	0°	±2°
linear	0.X	±0.30											
	0.XX	±0.10											
	0.XXX	±0.05											
angular	0°	±2°											

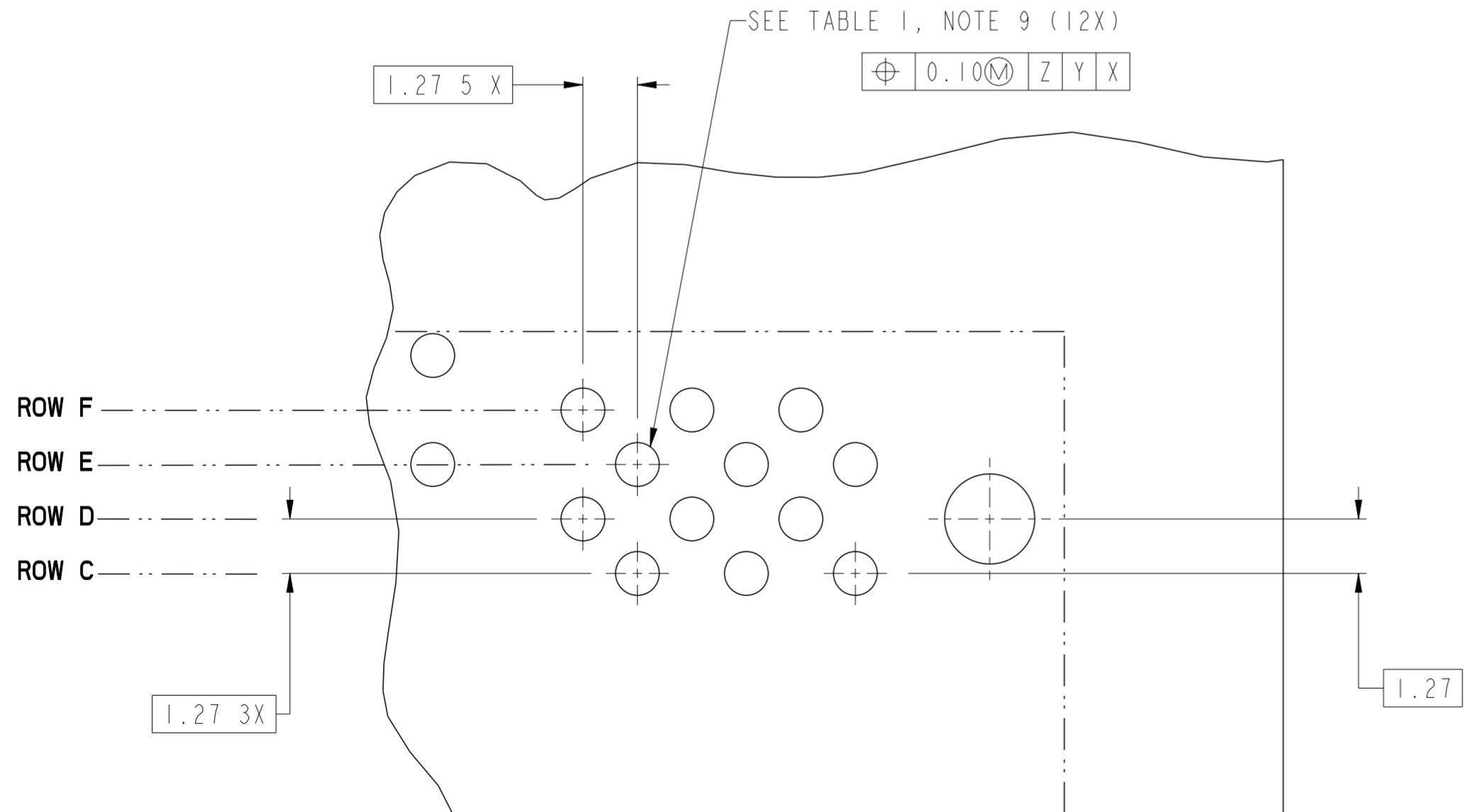
dr	Wei-Long Zhang	2012/01/17
eng	Wei-Long Zhang	2012/07/10
chr	-	-
appr	Pei-Ming Zheng	2012/07/11

projection	MM	size	A2	scale	4:1
product family	HPCE	ecn no	-	rel level	Released
title	RIGHT ANGLE 32P 12S HIGH POWER CARD EDGE	dwg no	10119977	rev	A
www.fci.com	cat. no.	Product - Customer Drw	sheet 1 of 4		

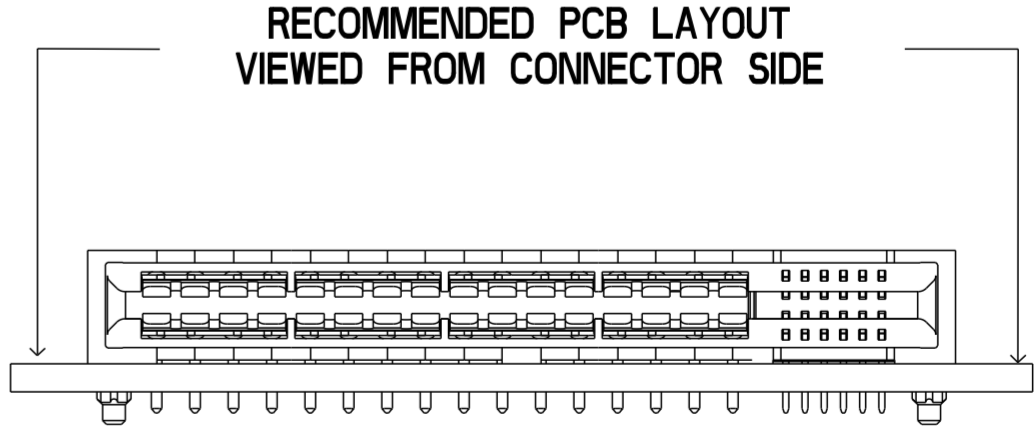


UNPLATED HOLE (2X)
(SEE NOTE 10 FOR DIAMETER)
 $\text{⌀} 0.10 \text{ (M)} \text{ Z Y X}$
 SEE TABLE 1, NOTE 9 (32X)
 $\text{⌀} 0.10 \text{ (M)} \text{ Z Y X}$

SEE TABLE 1, NOTE 9 (12X)
 $\text{⌀} 0.10 \text{ (M)} \text{ Z Y X}$



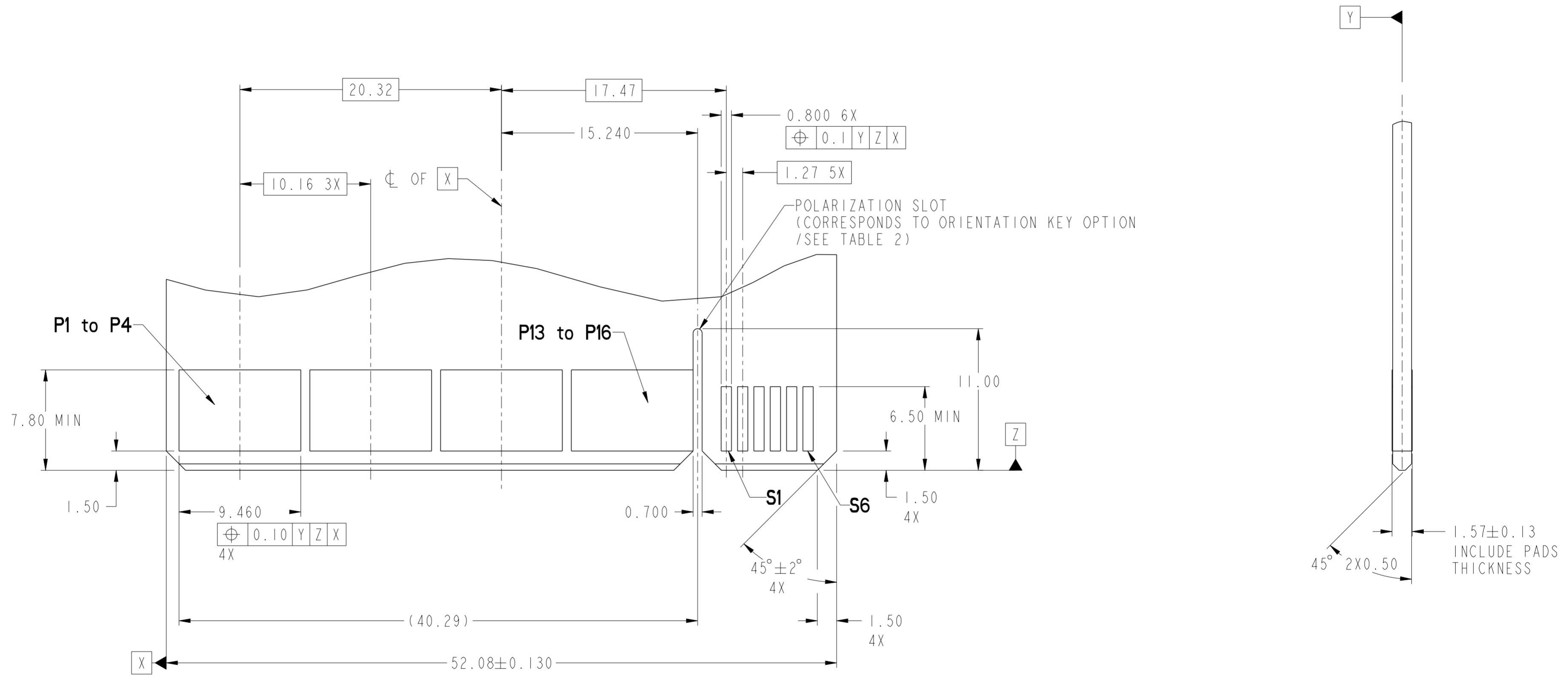
DETAIL K
SCALE 8:1



dr	Wei-Long Zhang	2012/01/17	projection	MM	size	A2	scale	4:1
eng	Wei-Long Zhang	2012/07/10			ecn no	-	rel level	Released
chr	-	-			product family	HPCE		
appr	Pai-Ming Zheng	2012/07/11			cat. no.	-	Product - Customer Drw	sheet 2 of 4
title RIGHT ANGLE 32P 12S HIGH POWER CARD EDGE			dwg no 10119977		rev A			

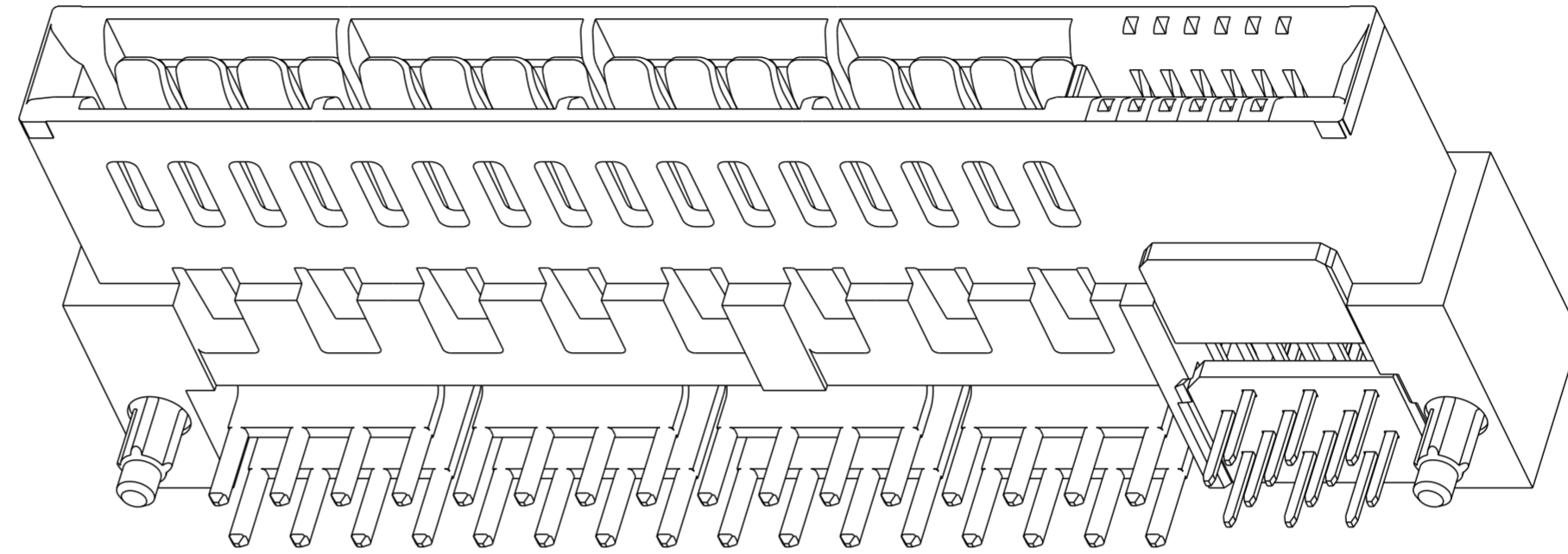
Copyright FCI.

CONTACT TYPE	TOP LAYER DESCRIPTION	TABLE 1 (HPCE / SOLDER TAILS) PLATED THROUGH-HOLE REQUIREMENTS				
		DRILLED HOLE DIAMETER	COPPER THICKNESS	TIN-LEAD THICKNESS	TIN THICKNESS	FINISHED HOLE DIAMETER
POWER & SIGNAL	TIN-LEAD	1.10-1.16 (1.15 DRILL)	0.025 - 0.050	0.005 - 0.015	--	0.94 - 1.10
	IMMERSION TIN	1.10-1.16 (1.15 DRILL)	0.025 - 0.050	--	0.9 - 1.5um	0.94 - 1.10
	COPPER (SEE NOTE 8)	1.10-1.16 (1.15 DRILL)	0.025 - 0.050	--	--	0.94 - 1.10



dr	Wei-Long Zhang	2012/01/17	projection	MM	size	A2	scale	4:1
eng	Wei-Long Zhang	2012/07/10			ecn no.	-		
chr	-	-			rel level	Released		
appr	Pei-Ming Zheng	2012/07/11	product family	HPCE				
		RIGHT ANGLE 32P 12S HIGH POWER CARD EDGE		dwg no. 10119977	rev A			
www.fci.com		cat. no.	Product - Customer Drw		sheet 3 of 4			

HPCE PART NUMBER (TABLE 2)				
10117877	TAIL TYPE	HOLD-DOWN OPTION	ORIENTATION KEY	DIM "A" TYPICAL TAIL LENGTH
10119977-001LF	SOLDER TAIL	NO	YES	3.25±0.50
10119977-002LF			NO	
10119977-003LF		YES	YES	
10119977-004LF			NO	



NOTES:

1. CONNECTOR MATERIALS:
 HOUSING: HIGH TEMPERATURE THERMAL PLASTIC, BLACK
 UL 94V-0 COMPLIANT
 CONTACTS: HIGH PERFORMANCE COPPER ALLOY.
2. CONTACT FINISH REF. GS-12-604 SECTION 5.2.
3. PRODUCT SPECIFICATION: GS-12-604.
4. APPLICATION SPECIFICATION: GS-20-128).
5. PRODUCT MARKING (FCI - PART NUMBER & DATE CODE) ON HOUSING IN AREA SHOWN.
6. PACKAGING MEETS FCI SPECIFICATION GS-14-937.
7. HOUSING COMPONENT WILL WITHSTAND EXPOSURE TO 260°C PEAK TEMPERATURE FOR 60 SECONDS IN A CONVECTION, INFRA-RED, OR VAPOR PHASE REFLOW OVEN.
8. COPPER PLATING THICKNESS IN CENTER OF VIA-HOLE CAN BE NO MORE THAN 0.003 LESS THAN OTHER AREAS.
9. ALL HOLE SIZES ARE FINISHED HOLE SIZES.
10. MOUNTING HOLES ARE UNPLATED
 ∅ 2.25 +/- 0.05 FOR SOLDER TAILS

dr	Wei-Long Zhang	2012/01/17	projection	MM	size	A2	scale	4:1	
eng	Wei-Long Zhang	2012/07/10			ecn no	-			
chr	-	-			product family	HPCE	rel level	Released	
appr	Pei-Ming Zheng	2012/07/11			title	RIGHT ANGLE 32P 12S HIGH POWER CARD EDGE		rev	A
www.fci.com			cat. no.	-	Product - Customer Drw	sheet 4 of 4			