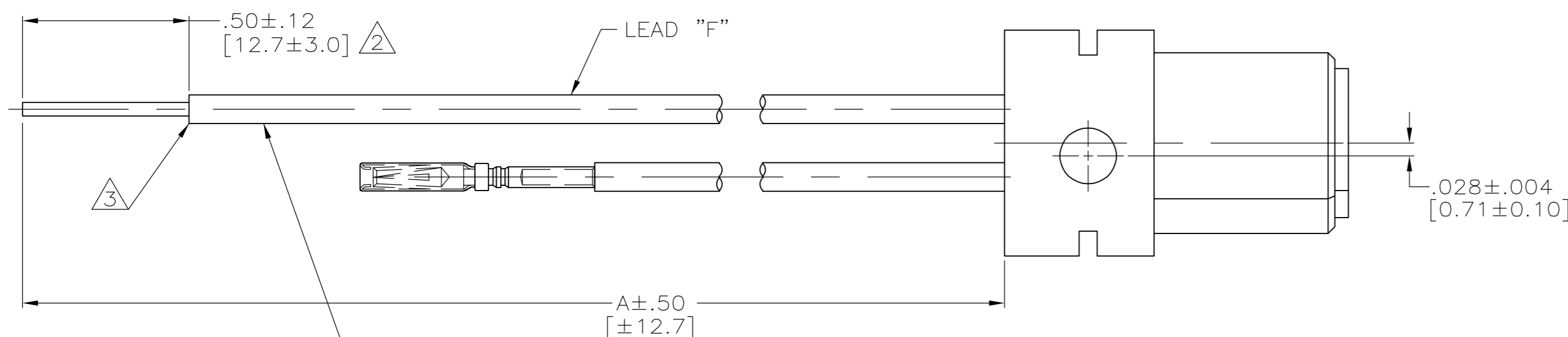


THIS DRAWING IS UNPUBLISHED. RELEASED FOR PUBLICATION - N/A .
 © COPYRIGHT N/A BY TYCO ELECTRONICS CORPORATION. ALL RIGHTS RESERVED.

LOC		DIST		REVISIONS			
P	LTR	DESCRIPTION	DATE	DWN	APVD		
F		REV PER ECO-05-003302	08-05	AA	DE		

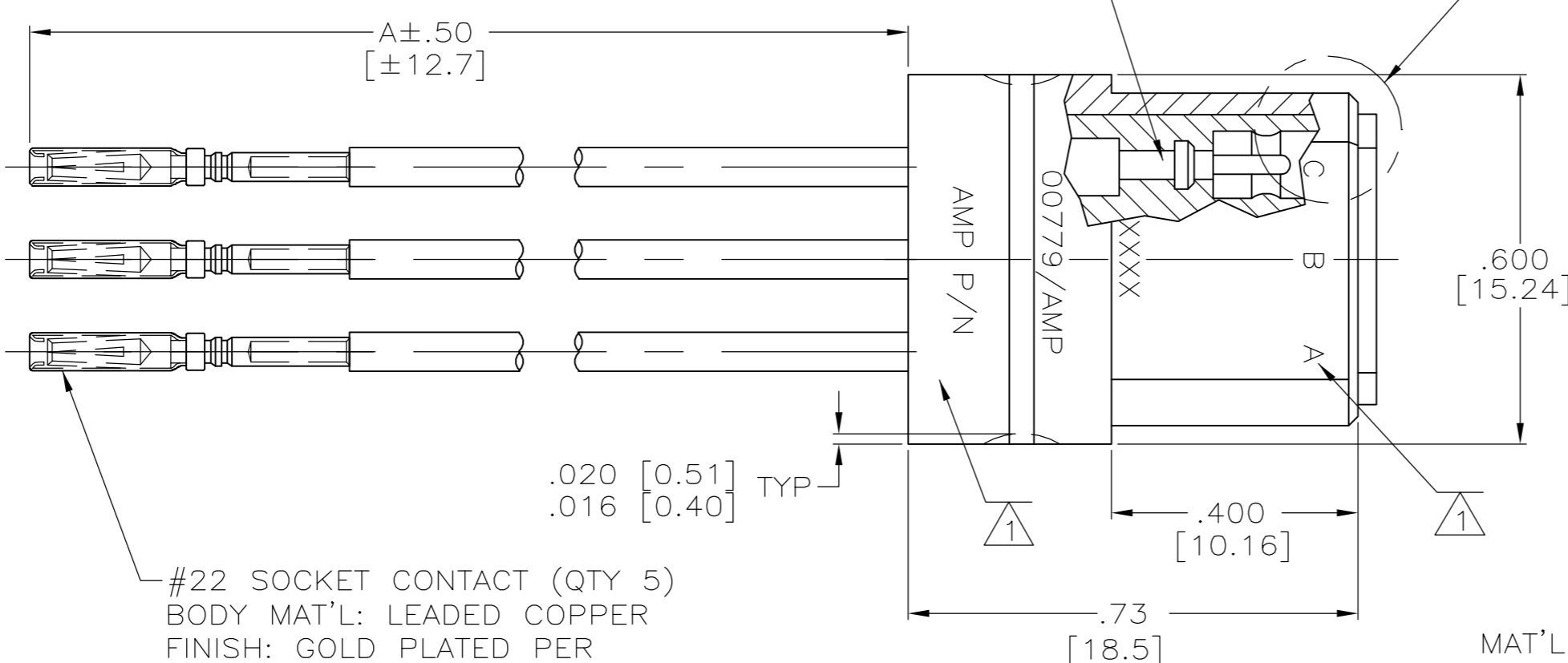


- ① MARKED PER MIL-STD-130.
- ② PIGTAIL IS SOLDER DIPPED.
- ③ INSULATION CUT, BUT NOT REMOVED.

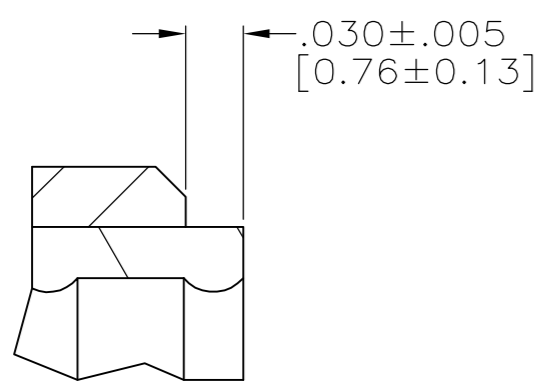
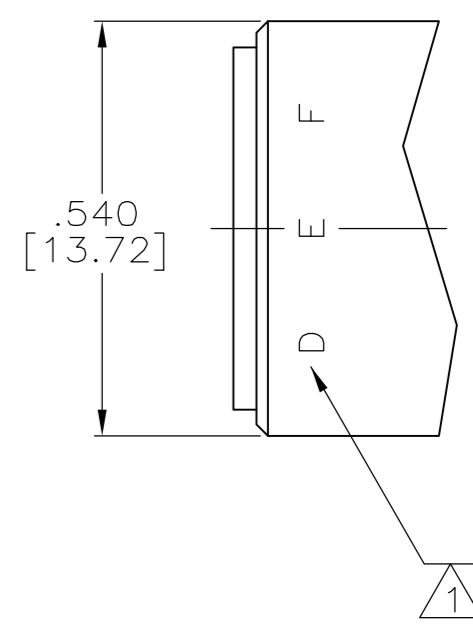
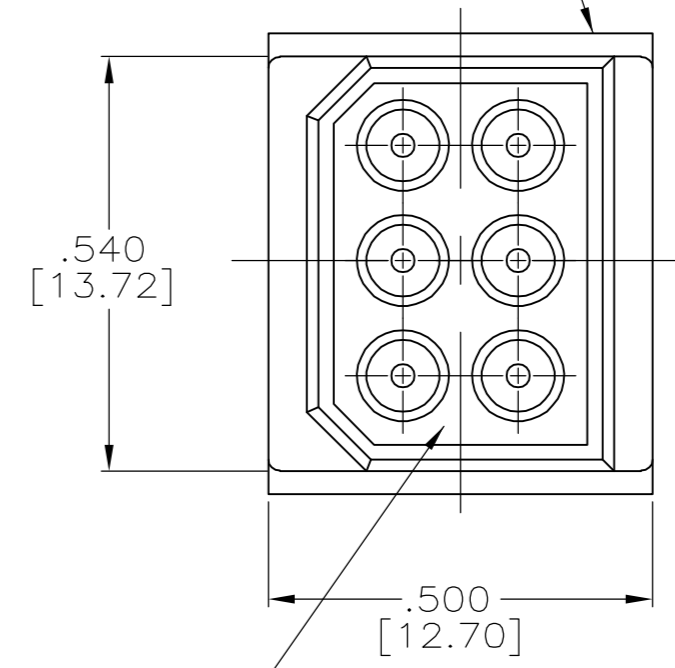
#24 AWG TEFLON INSULATED LEAD WIRE (6 PLC) COLOR: SEE SCHEMATIC

CONTACT, PIN (6 PLC)
 MAT'L: BRONZE PER ASTM-B-140
 FINISH: GOLD PLATE PER ASTM-B-488
 OVER NICKEL PER AMS-QQ-N-290

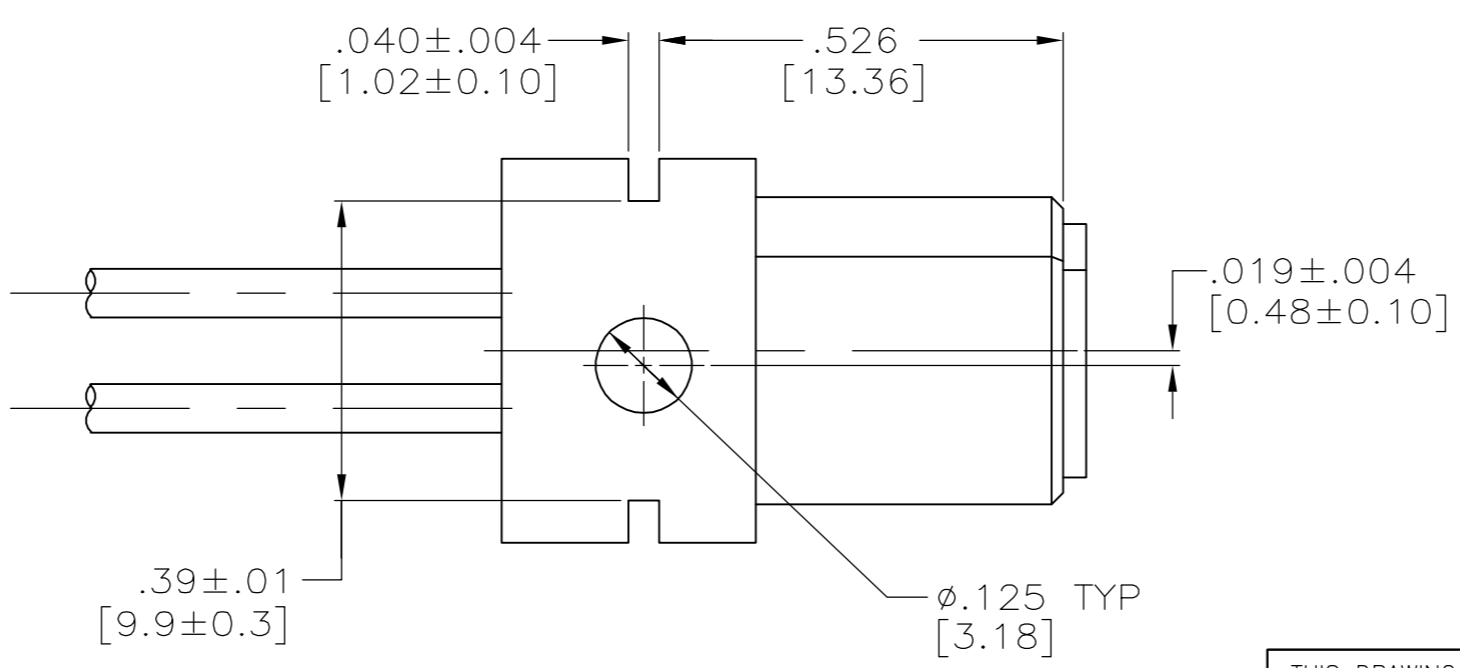
HOUSING MAT'L: POLYESTER MLDG. CMPD. COLOR: BLACK



#22 SOCKET CONTACT (QTY 5)
 BODY MAT'L: LEADED COPPER
 FINISH: GOLD PLATED PER ASTM-B-488 OVER NICKEL PER AMS-QQ-N-290
 HOOD MAT'L: STAINLESS STEEL



DETAIL Z
 SCALE 10:1



REMARKS	DIM A	LEAD COLOR	LETTER CAVITY	PART NO.
③	13.00 [330.2]	BLACK	F	5-868021-1
-	4.00 [101.6]	GREEN	E	
-	4.00 [101.6]	BLUE	D	
-	4.00 [101.6]	BROWN	C	
-	4.00 [101.6]	RED	B	
-	4.00 [101.6]	YELLOW	A	868021-1
②	13.00 [330.2]	BLACK	F	
-	4.00 [101.6]	GREEN	E	
-	4.00 [101.6]	BLUE	D	
-	4.00 [101.6]	BROWN	C	
-	4.00 [101.6]	RED	B	
-	4.00 [101.6]	YELLOW	A	

THIS DRAWING IS A CONTROLLED DOCUMENT.

DWN	C.C.THOMAS	02-DEC-92
CHK	D.EABY	11-JAN-93
APVD	D.EABY	11-JAN-93
PRODUCT SPEC		
APPLICATION SPEC		
WEIGHT	-	
CUSTOMER DRAWING		

tyco Electronics Tyco Electronics Corporation
 Harrisburg, Pa 17105-3608

NAME: PLUG ASSY
 6 POSN WITH FLYING LEADS
 LGH

SIZE	CAGE CODE	DRAWING NO	RESTRICTED TO
A2	00779	C=868021	-
SCALE	SHEET	OF	REV
4:1	1	1	F