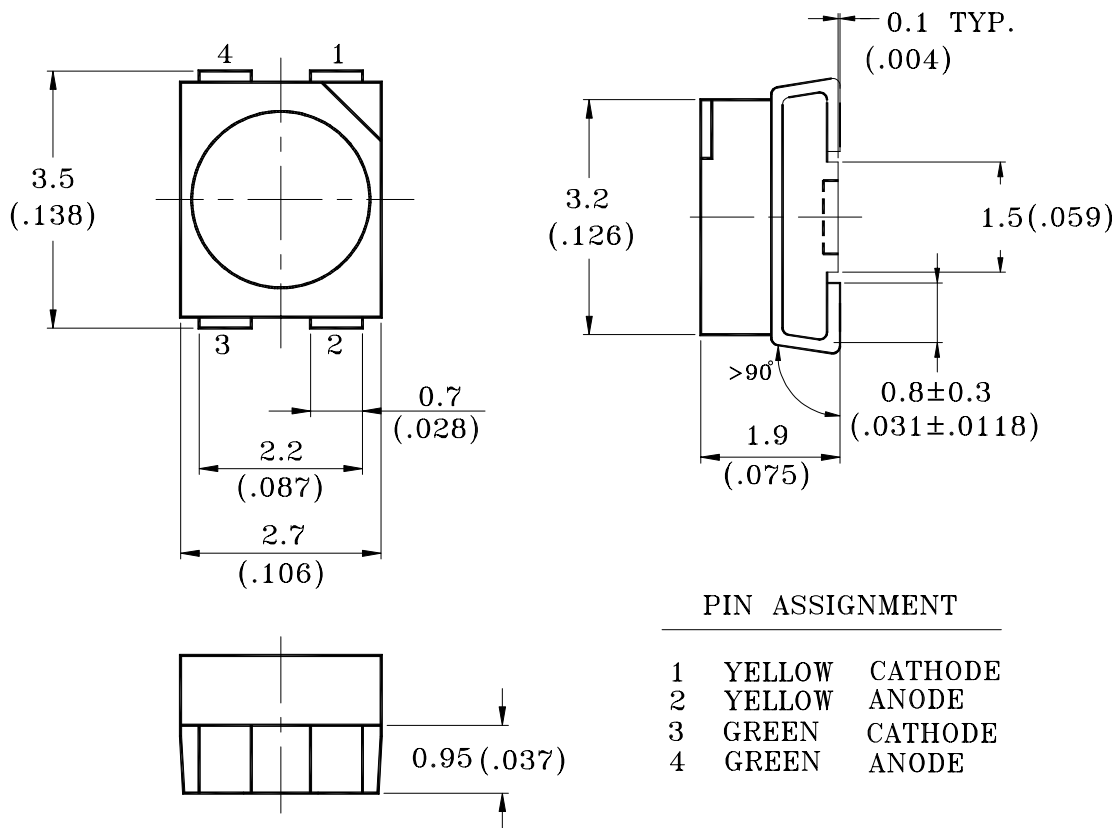


Property of LITE-ON Only

Features

- * Package In 8mm Tape On 7" Diameter Reels.
- * Compatible With Automatic Placement Equipment.
- * Compatible With Infrared And Vapor Phase Reflow Solder Process.
- * EIA STD Package.
- * I.C. compatible.

Package Dimensions



PIN ASSIGNMENT

1	YELLOW	CATHODE
2	YELLOW	ANODE
3	GREEN	CATHODE
4	GREEN	ANODE

Part No.	Lens Color	Source Color
LTST-T675KGKSKT	Water Clear	AllnGaP Yellow / AllnGaP Green

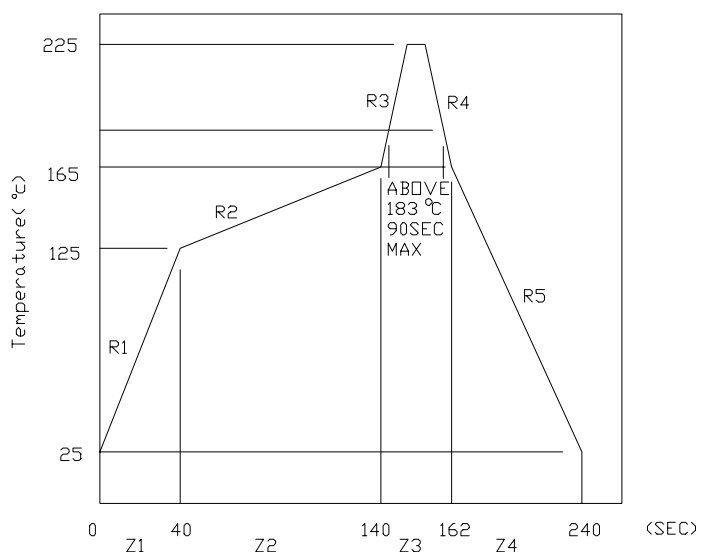
Notes:

1. All dimensions are in millimeters (inches).
2. Tolerance is ± 0.2 mm (.008") unless otherwise noted.

Absolute Maximum Ratings at Ta=25°C

PARAMETER	Green	Yellow	UNIT
Power Dissipation	75	75	mW
Peak Forward Current (1/10 Duty Cycle, 0.1ms Pulse Width)	80	80	mA
Continuous Forward Current	30	30	mA
Derating Linear From 50°C	0.5	0.4	mA/°C
Reverse Voltage	5	5	V
Operating Temperature Range	-55°C to + 100°C		
Storage Temperature Range	-55°C to + 100°C		
InfraRED ORANGE Soldering Condition	260°C For 5 Seconds		
Vapor Phase Soldering Condition	215°C For 3 Minutes		
Wave Soldering Temperature	260°C For 5 Seconds		

Suggest IR Reflow Condition :



Property of LITE-ON Only

Electrical / Optical Characteristics at Ta=25°C

PARAMETER	SYMBOL	PART NO. LTST-T675KGKSKT	MIN.	TYP.	MAX.	UNIT	TEST CONDITION
Luminous Intensity	IV	Green Yellow	16 16	100 100		mcd	IF = 20mA Note 1
Viewing Angle	2θ1/2	Green Yellow		120 120		deg	Note 2 (Fig.6)
Peak Emission Wavelength	λP	Green Yellow		574 591		nm	Measurement @Peak (Fig.1)
Dominant Wavelength	λd	Green Yellow		571 589		nm	Note 3
Spectral Line Half-Width	Δλ	Green Yellow		15 15		nm	
Forward Voltage	VF	Green Yellow		2.0 2.0	2.4	V	IF = 20mA
Reverse Current	IR	Green Yellow			100 100	μA	VR = 5V
Capacitance	C	Green Yellow		40 40		PF	VF=0, f=1MHZ

- NOTE: 1. Luminous intensity is measured with a light sensor and filter combination that approximates the CIE eye-response curve.
2. θ 1/2 is the off-axis angle at which the luminous intensity is half the axial luminous intensity.
3. The dominant wavelength, λ d is derived from the CIE chromaticity diagram and represents the single wavelength which defines the color of the device.
4. The Iv data did not including $\pm 15\%$ testing tolerance.

Property of LITE-ON Only

Typical Electrical / Optical Characteristics Curves (25°C Ambient Temperature Unless Otherwise Noted)

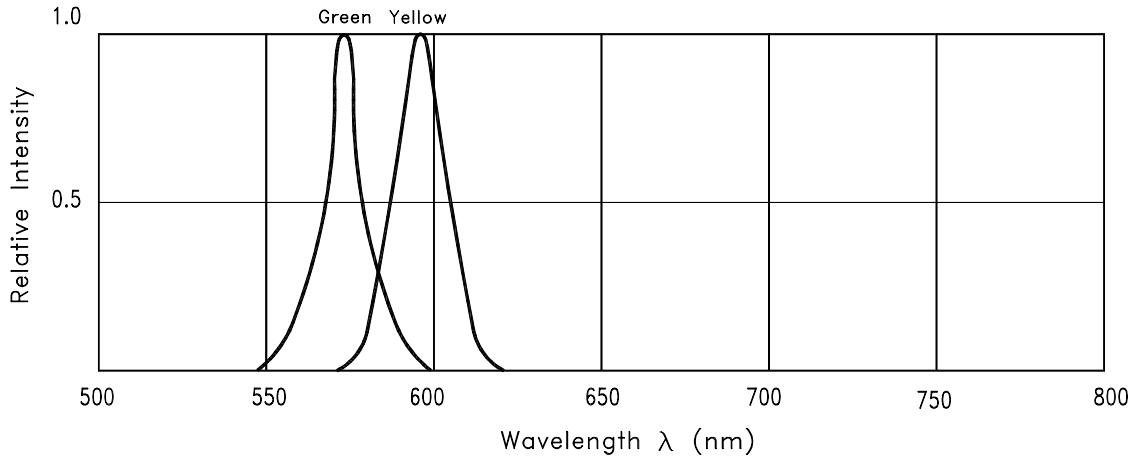


Fig.1 RELATIVE INTENSITY VS. WAVELENGTH

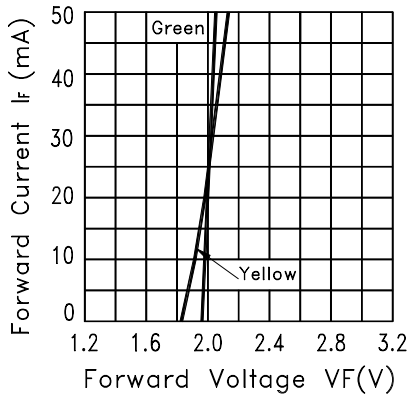


Fig.2 FORWARD CURRENT VS. FORWARD VOLTAGE

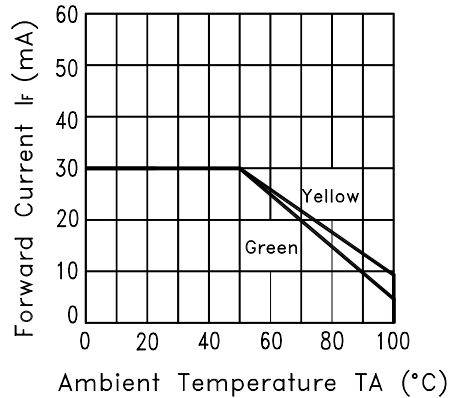


Fig.3 FORWARD CURRENT DERATING CURVE

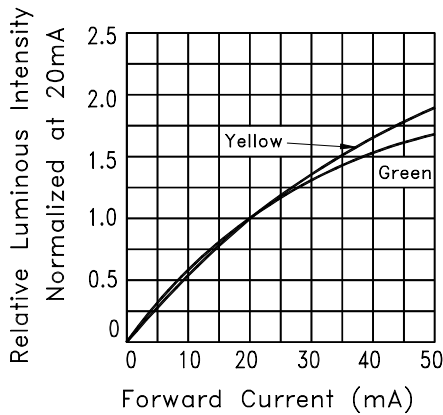


Fig.4 RELATIVE LUMINOUS INTENSITY VS. FORWARD CURRENT

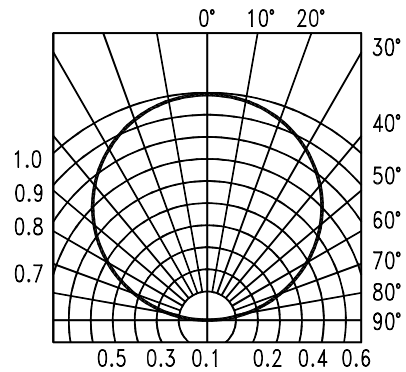


Fig.6 SPATIAL DISTRIBUTION

Property of LITE-ON Only

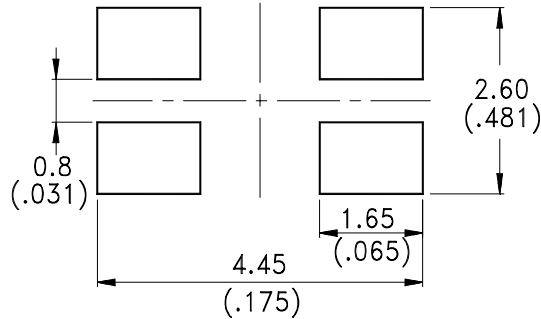
User Guide

Cleaning

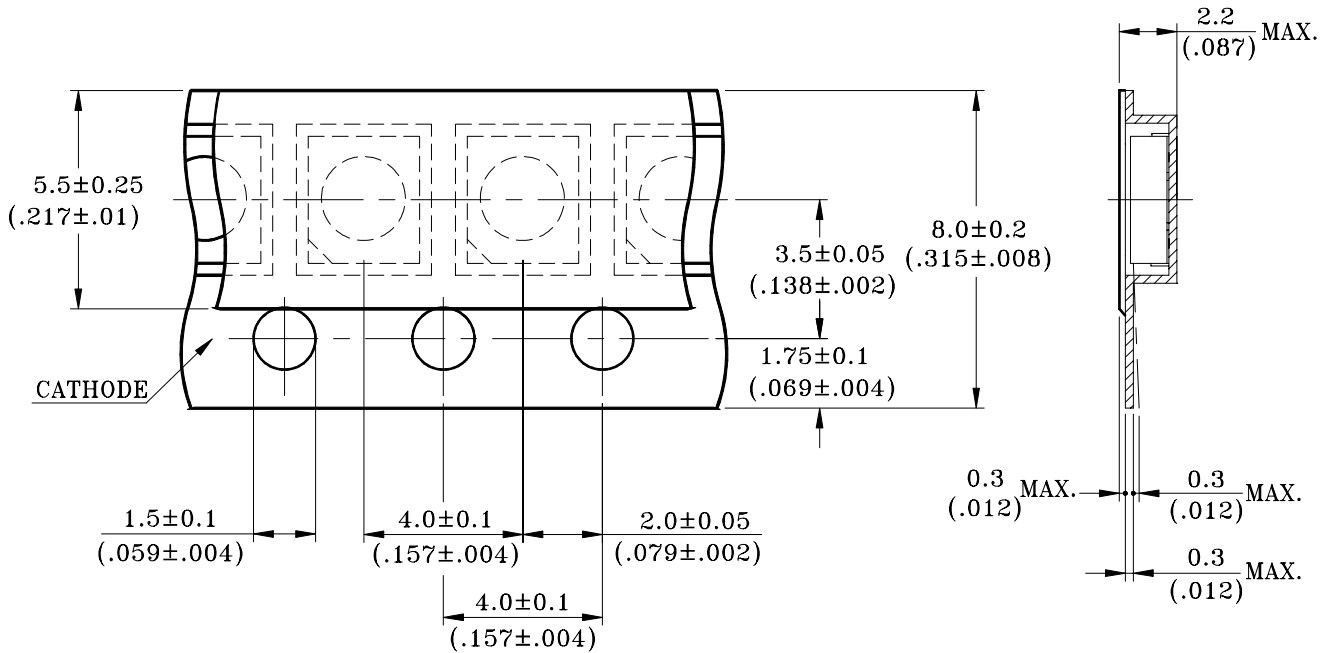
Do not use unspecified chemical liquid to clean LED they could harm the package.
If cleaning is necessary, immerse the LED in ethyl alcohol or isopropyl alcohol at normal temperature for less one minute.

Recommend Printed Circuit Board Attachment Pad

Infrared / vapor phase
Reflow Soldering

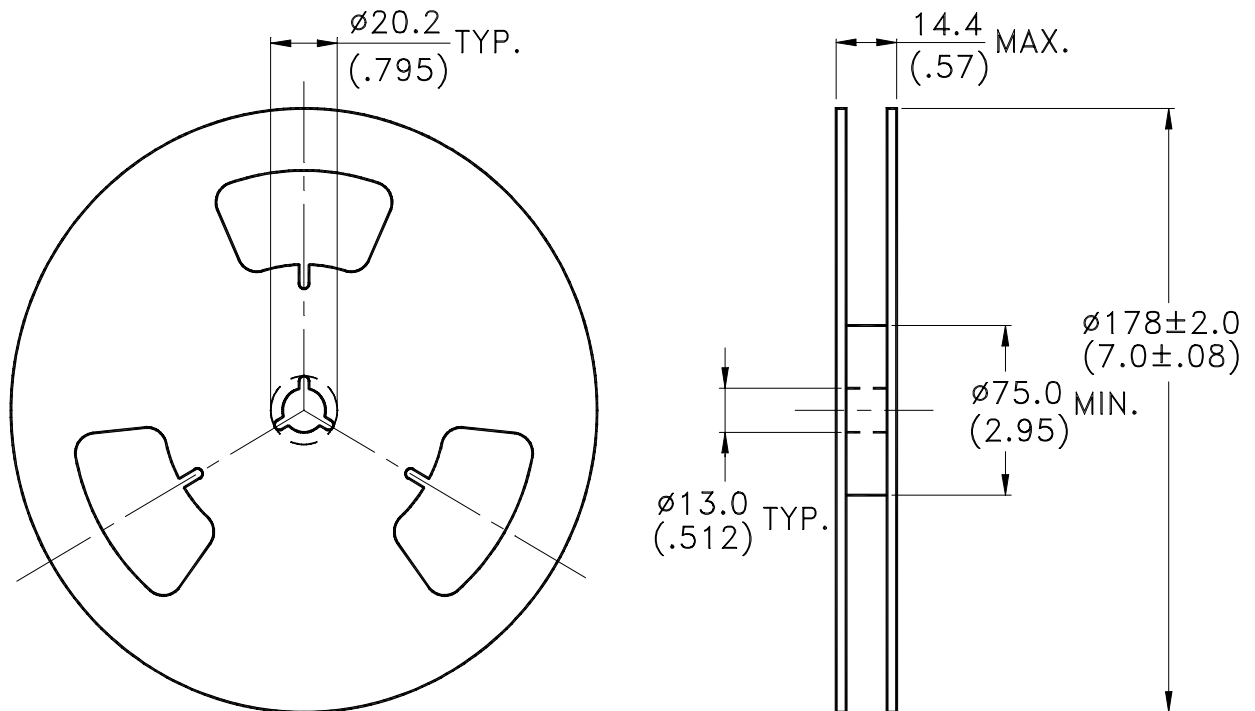


Package Dimensions of Tape



Note:

1. All dimensions are in millimeters (inches).

Package Dimensions of Reel

Notes:

1. Empty component pockets sealed with top cover tape.
2. 7 inch reel-2000 pieces per reel.
3. The maximum number of consecutive missing lamps is two.
4. In accordance with ANSI/EIA RS-481 specifications.