

TECHNICAL SPECIFICATIONS

Material: Plastic (PA), UL94-HB
 Colour: Red
 Operating Temperature: -55°C to +110°C
 Thumbscrews: UNC 4-40

No. of contacts: 09-15-25-37-50

| Item | QTY | Part description |
|------|-----|----------------------------|
| 1 | 1 | Plastic Cover |
| 2 | 2 | EPS 3x8 Self Tapping Screw |
| 3 | 1 | Cable Clamp |
| 4 | 1 | Plastic Insert |
| 5 | 2 | Jackscrews UNC4-40x51mm |

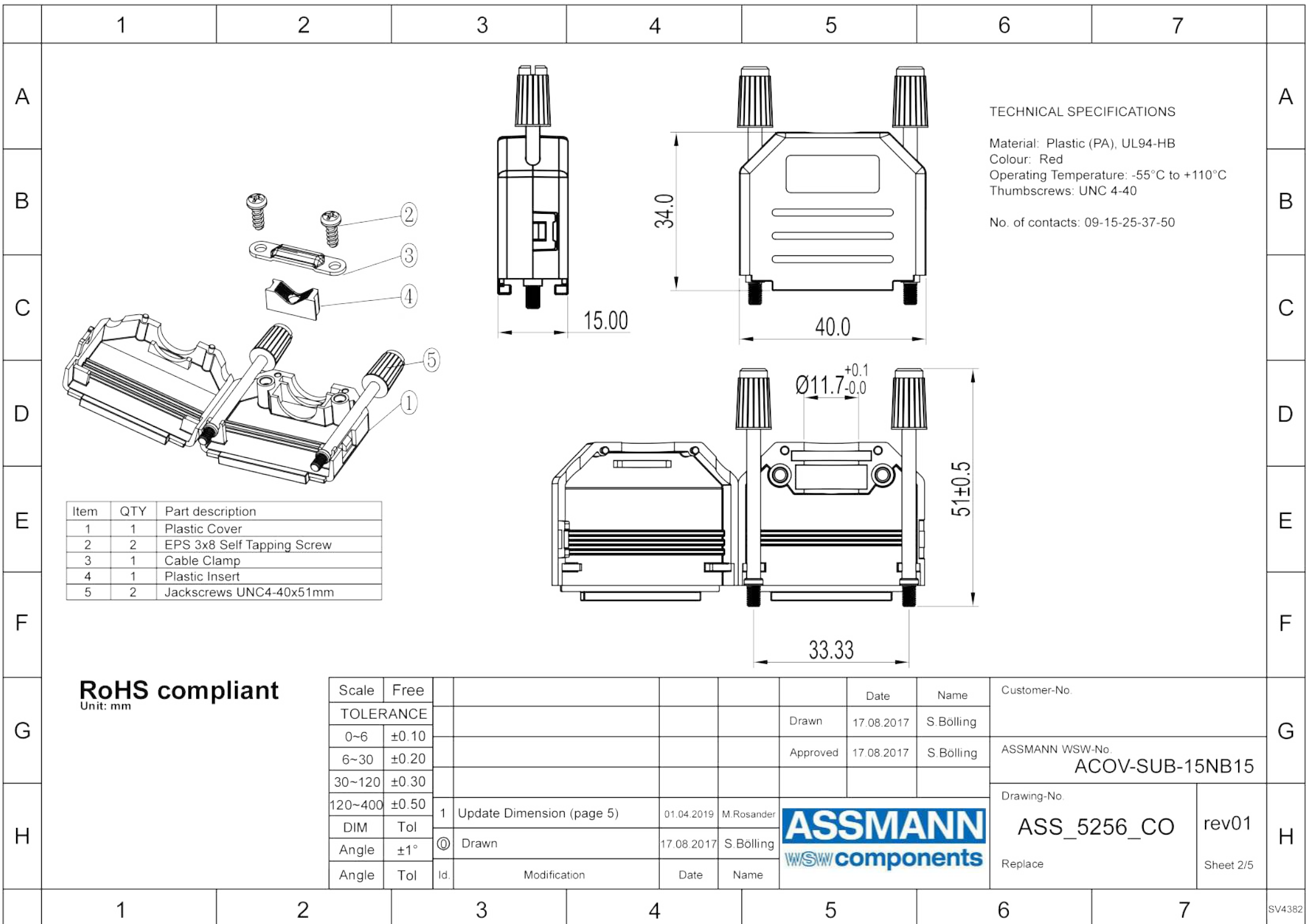
RoHS compliant
 Unit: mm

| Scale | Free | | | | Date | Name | Customer-No. |
|-----------|-------|-----|---------------------------|------------|------------|------------|--------------|
| TOLERANCE | | | | | Drawn | 17.08.2017 | S.Bölling |
| 0~6 | ±0.10 | | | | Approved | 17.08.2017 | S.Bölling |
| 6~30 | ±0.20 | | | | | | |
| 30~120 | ±0.30 | | | | | | |
| 120~400 | ±0.50 | 1 | Update Dimension (page 5) | 01.04.2019 | M.Rosander | | |
| DIM | Tol | © | Drawn | 17.08.2017 | S.Bölling | | |
| Angle | ±1° | | | | | | |
| Angle | Tol | Id. | Modification | Date | Name | | |



ASSMANN WSW-No.
ACOV-SUB-09NB15

Drawing-No.
ASS_5256_CO rev01
 Replace Sheet 1/5



TECHNICAL SPECIFICATIONS

Material: Plastic (PA), UL94-HB
 Colour: Red
 Operating Temperature: -55°C to +110°C
 Thumbscrews: UNC 4-40

No. of contacts: 09-15-25-37-50

| Item | QTY | Part description |
|------|-----|----------------------------|
| 1 | 1 | Plastic Cover |
| 2 | 2 | EPS 3x8 Self Tapping Screw |
| 3 | 1 | Cable Clamp |
| 4 | 1 | Plastic Insert |
| 5 | 2 | Jackscrews UNC4-40x51mm |

RoHS compliant
 Unit: mm

| Scale | Free | | | | Date | Name | Customer-No. |
|-----------|-------|-----|---------------------------|------------|-------------|------------|--------------|
| TOLERANCE | | | | | Drawn | 17.08.2017 | S. Bölling |
| 0~6 | ±0.10 | | | | Approved | 17.08.2017 | S. Bölling |
| 6~30 | ±0.20 | | | | | | |
| 30~120 | ±0.30 | | | | | | |
| 120~400 | ±0.50 | 1 | Update Dimension (page 5) | 01.04.2019 | M. Rosander | | |
| DIM | Tol | Ⓞ | Drawn | 17.08.2017 | S. Bölling | | |
| Angle | ±1° | | | | | | |
| Angle | Tol | Id. | Modification | Date | Name | | |

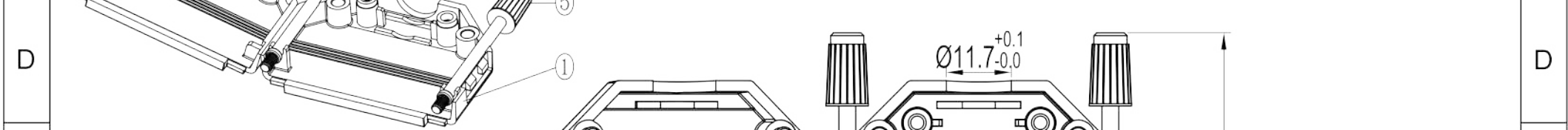
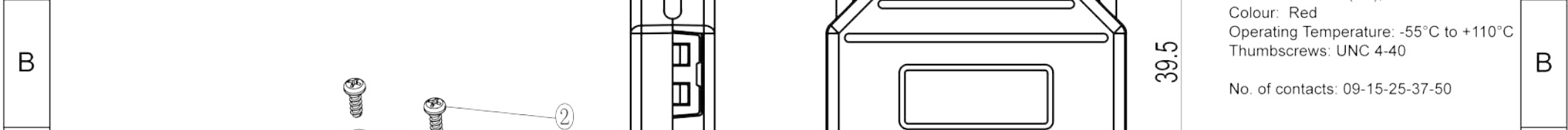


ASSMANN WSW-No.
ACOV-SUB-15NB15

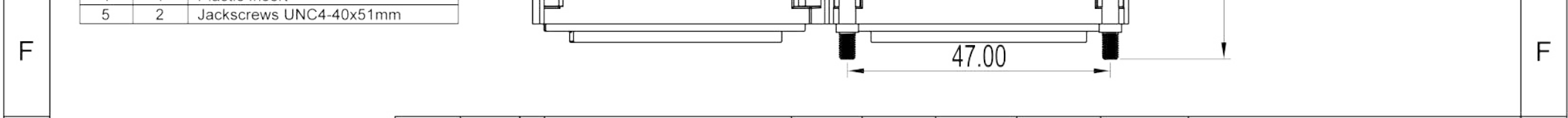
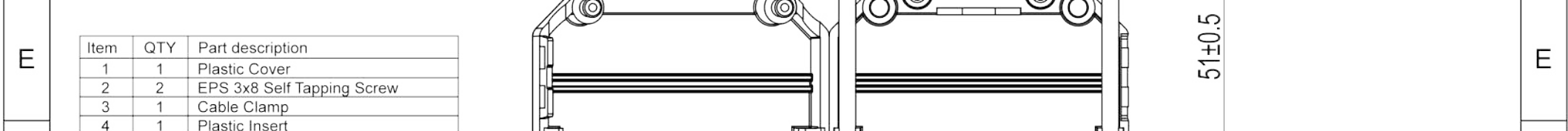
Drawing-No.
ASS_5256_CO rev01
 Replace Sheet 2/5



TECHNICAL SPECIFICATIONS
 Material: Plastic (PA), UL94-HB
 Colour: Red
 Operating Temperature: -55°C to +110°C
 Thumbscrews: UNC 4-40
 No. of contacts: 09-15-25-37-50



| Item | QTY | Part description |
|------|-----|----------------------------|
| 1 | 1 | Plastic Cover |
| 2 | 2 | EPS 3x8 Self Tapping Screw |
| 3 | 1 | Cable Clamp |
| 4 | 1 | Plastic Insert |
| 5 | 2 | Jackscrews UNC4-40x51mm |



RoHS compliant
 Unit: mm

| Scale | Free | | | | Date | Name | Customer-No. |
|-----------|-------|-----|---------------------------|------------|-------------|------------|--------------|
| TOLERANCE | | | | | Drawn | 17.08.2017 | S. Bölling |
| 0~6 | ±0.10 | | | | Approved | 17.08.2017 | S. Bölling |
| 6~30 | ±0.20 | | | | | | |
| 30~120 | ±0.30 | | | | | | |
| 120~400 | ±0.50 | 1 | Update Dimension (page 5) | 01.04.2019 | M. Rosander | | |
| DIM | Tol | Ⓞ | Drawn | 17.08.2017 | S. Bölling | | |
| Angle | ±1° | | | | | | |
| Angle | Tol | Id. | Modification | Date | Name | | |

Customer-No.
 ASSMANN WSW-No.
ACOV-SUB-25NB15

Drawing-No.
ASS_5256_CO rev01
 Replace
 Sheet 3/5



1

2

3

4

5

6

7

A

A

B

B

C

C

D

D

E

E

F

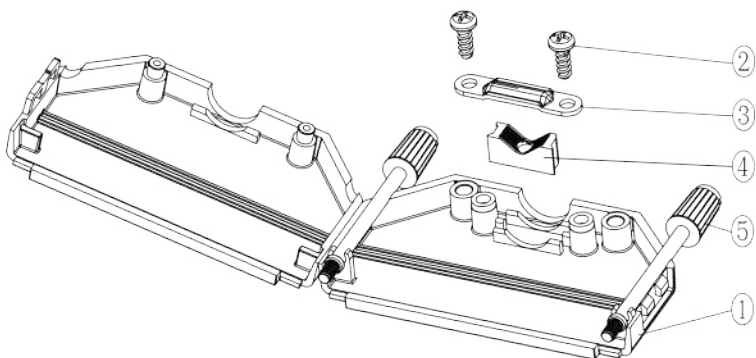
F

G

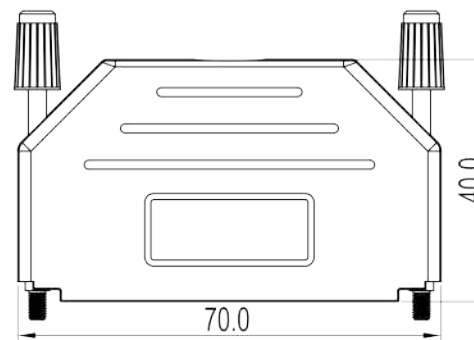
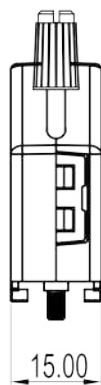
G

H

H



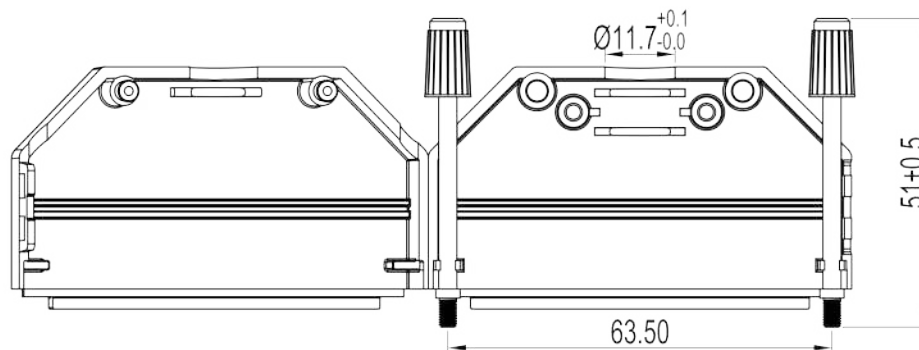
| Item | QTY | Part description |
|------|-----|----------------------------|
| 1 | 1 | Plastic Cover |
| 2 | 2 | EPS 3x8 Self Tapping Screw |
| 3 | 1 | Cable Clamp |
| 4 | 1 | Plastic Insert |
| 5 | 2 | Jackscrews UNC4-40x51mm |




TECHNICAL SPECIFICATIONS

Material: Plastic (PA), UL94-HB
 Colour: Red
 Operating Temperature: -55°C to +110°C
 Thumbscrews: UNC 4-40

No. of contacts: 09-15-25-37-50



RoHS compliant
 Unit: mm

| Scale | Free | | | | | Date | Name | Customer-No. |
|-----------|-------|-----|---------------------------|------------|-------------|---|------------|--------------|
| TOLERANCE | | | | | | Drawn | 17.08.2017 | S. Bölling |
| 0~6 | ±0.10 | | | | | Approved | 17.08.2017 | S. Bölling |
| 6~30 | ±0.20 | | | | | | | |
| 30~120 | ±0.30 | | | | | | | |
| 120~400 | ±0.50 | 1 | Update Dimension (page 5) | 01.04.2019 | M. Rosander | | | |
| DIM | Tol | Ⓞ | Drawn | 17.08.2017 | S. Bölling |  | | |
| Angle | ±1° | | | | | | | |
| Angle | Tol | Id. | Modification | Date | Name | | | |

Customer-No.
 ASSMANN WSW-No.
ACOV-SUB-37NB15

Drawing-No.
ASS_5256_CO rev01
 Replace
 Sheet 4/5

1

2

3

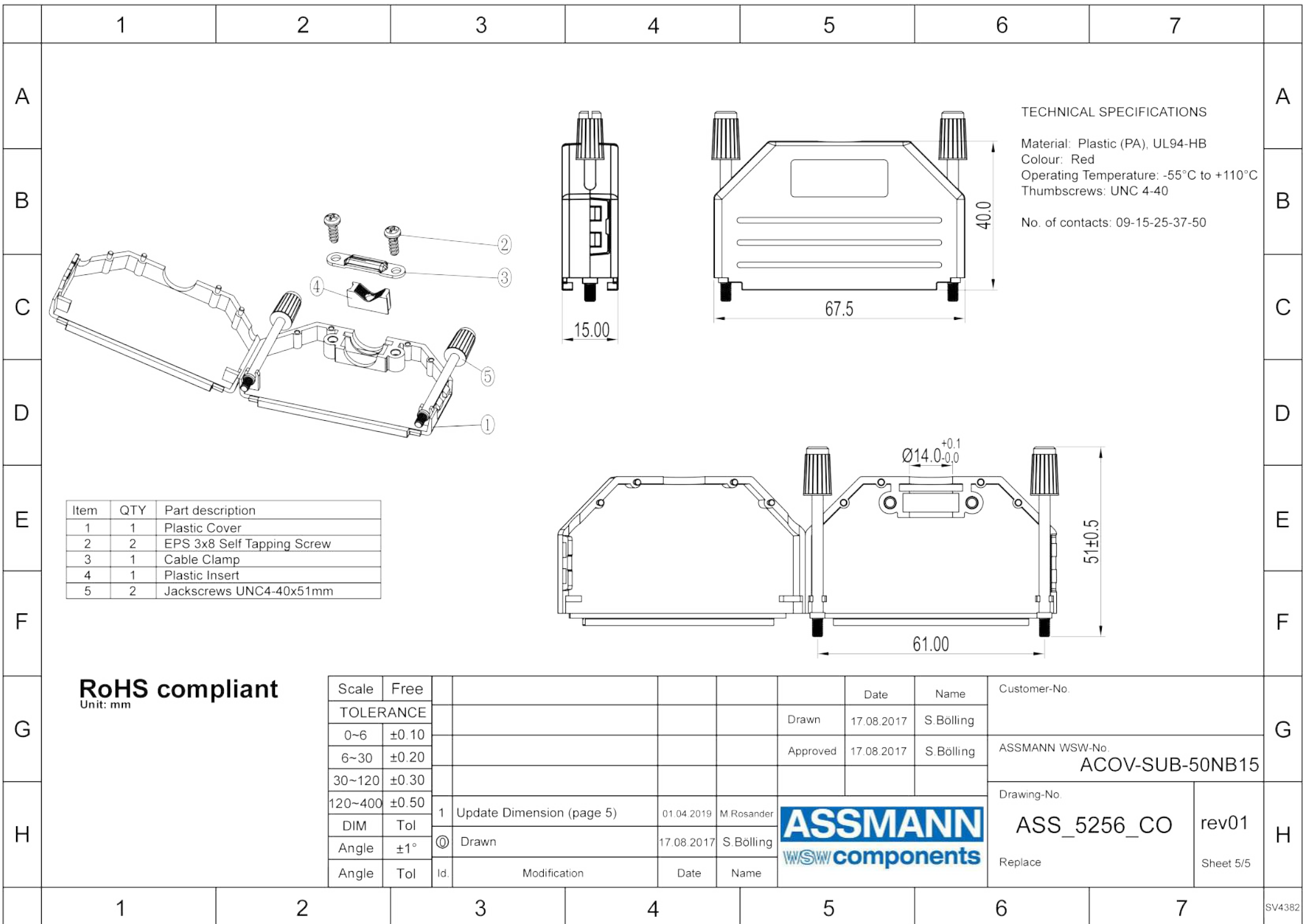
4

5

6

7

SV4382



TECHNICAL SPECIFICATIONS

Material: Plastic (PA), UL94-HB
 Colour: Red
 Operating Temperature: -55°C to +110°C
 Thumbscrews: UNC 4-40
 No. of contacts: 09-15-25-37-50

| Item | QTY | Part description |
|------|-----|----------------------------|
| 1 | 1 | Plastic Cover |
| 2 | 2 | EPS 3x8 Self Tapping Screw |
| 3 | 1 | Cable Clamp |
| 4 | 1 | Plastic Insert |
| 5 | 2 | Jackscrews UNC4-40x51mm |

RoHS compliant
 Unit: mm

| Scale | Free | | | | Date | Name | Customer-No. |
|-----------|-------|-----|---------------------------|------------|------------|------------|--------------|
| TOLERANCE | | | | | Drawn | 17.08.2017 | S. Bölling |
| 0~6 | ±0.10 | | | | Approved | 17.08.2017 | S. Bölling |
| 6~30 | ±0.20 | | | | | | |
| 30~120 | ±0.30 | | | | | | |
| 120~400 | ±0.50 | 1 | Update Dimension (page 5) | 01.04.2019 | M Rosander | | |
| DIM | Tol | Ⓞ | Drawn | 17.08.2017 | S. Bölling | | |
| Angle | ±1° | | | | | | |
| Angle | Tol | Id. | Modification | Date | Name | | |

ASSMANN WSW-No.
ACOV-SUB-50NB15

Drawing-No
ASS_5256_CO rev01
 Replace Sheet 5/5

