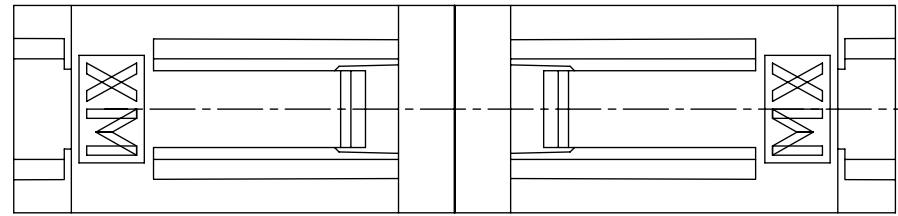
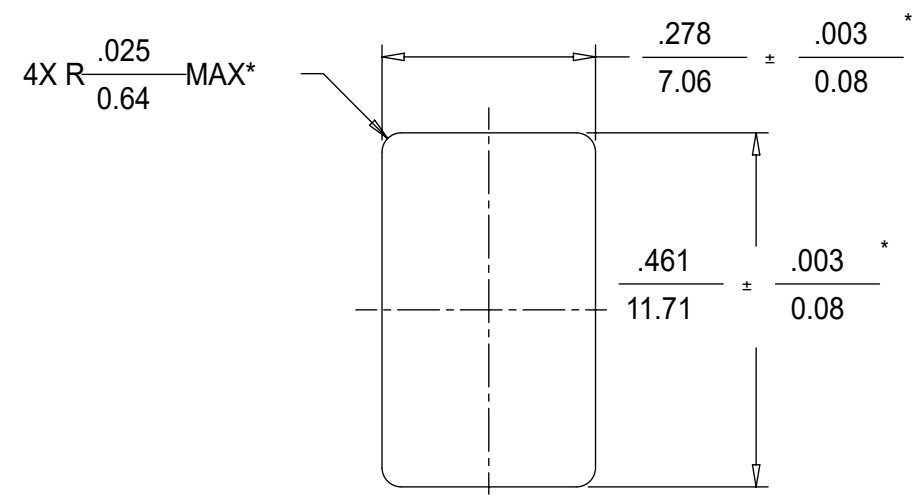
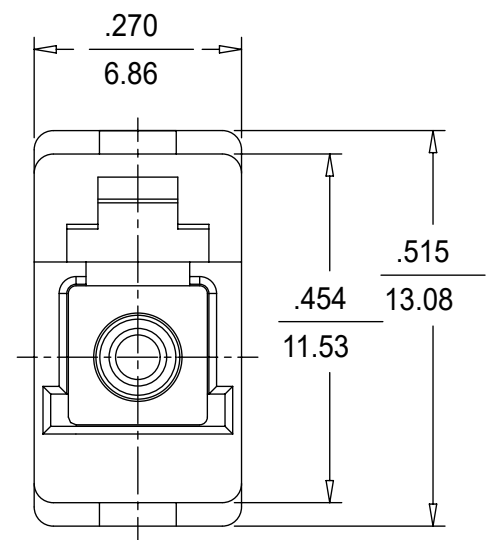
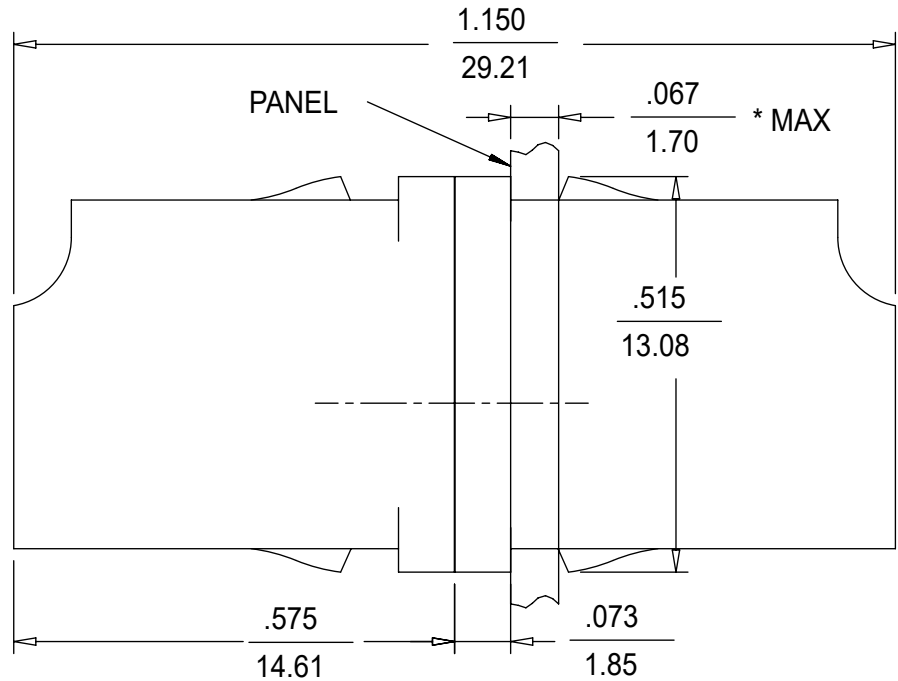


ADAPTER P/N	COLOR	SPLIT SLEEVE MATERIAL
106124-1100	BLUE	ZIRCONIA - ZrO <sub>2</sub>
106124-0110	BEIGE	
106124-1150	GREEN	
106124-0100	BLUE	
106124-1110	BEIGE	
106124-1130	BLACK	



(DUST CAPS ARE NOT SHOWN)



RECOMMENDED PANEL CUTOUT  
 PANEL THICKNESS  $\frac{.067}{1.70}$  MAX.

NOTES:  
 1. ALL DIMENSIONS ARE FOR REFERENCE ONLY, EXCEPT WHEN MARKED WITH (\*).

FUNCTIONAL SYMBOLS	THIS DRAWING CONTAINS INFORMATION THAT IS PROPRIETARY TO MOLEX ELECTRONIC TECHNOLOGIES, LLC AND SHOULD NOT BE USED WITHOUT WRITTEN PERMISSION		CURRENT REV DESC:			<b>molex</b>			
	DIMENSION UNITS	SCALE							LC ADAPTER
	$\frac{E}{A} = 0$	INCH/MM	1:1	EC NO: 652962			PRODUCT CUSTOMER DRAWING		
	$\frac{E}{Z} = 0$	GENERAL TOLERANCES (UNLESS SPECIFIED)		DRWN: SKRISHNAMU01 2021/05/28			DOCUMENT NUMBER		
$\frac{E}{V} = 0$	ANGULAR TOL ± 0.5°		CHK'D: WCHEN 2021/08/24			DOC TYPE   DOC PART   REVISION			
DIVISIONAL SYMBOLS	4 PLACES ±		APPR: WCHEN 2021/08/24			SD-106124-X1X0   PSD   001   C			
	3 PLACES ±		INITIAL REVISION:			MATERIAL NUMBER			
	2 PLACES ±		DRWN: PGIBLIN 2005/10/25			CUSTOMER			
	1 PLACE ±		APPR: IGUMIN 2005/10/26			GENERAL MARKET			
	0 PLACES ±		DRAFT WHERE APPLICABLE MUST REMAIN WITHIN DIMENSIONS			SHEET NUMBER			
	THIRD ANGLE PROJECTION		DRAWING		SERIES	SEE TABLE		1 OF 1	
	B-SIZE		106124						