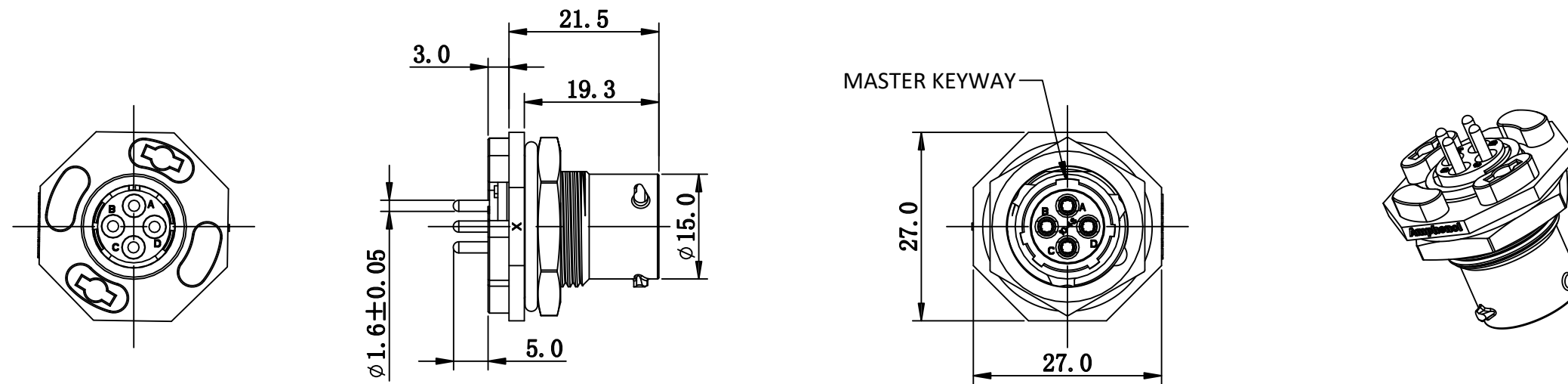


REVISIONS					
REV	ECO	DESCRIPTION	DATE	BY	APPR
A1	—	RELEASED DRAWING	Jul-30-2019	Zaki	Tommy



NOTES: (UNLESS OTHERWISE SPECIFIED)

1. MATERIAL:

SHELL: THERMOPLASTIC, UL94 V-0.

INSERT: THERMOPLASTIC, UL94 V-0.

O-RING: SILICONE RUBBER.

SEAL GASKET: SILICONE RUBBER.

JAM NUT: ALUMINIUM ALLOY, BLACK ANODIZING.

CONTACT: COPPER ALLOY, GOLD PLATED.

2. SPECIFICATIONS:

2.1 RATED CURRENT: 13A (MAX).

2.2 RATED VOLTAGE: 500V(AC/DC).

2.3 OPERATING TEMPERATURE: -40C - 125C.

2.4 DIELECTRIC WITHSTANDING VOLTAGE: LESS THAN 2 MILLIAMPS CURRENT LEAKAGE@2000 VOLTS AC.

2.5 INSULATION RESISTANCE: 5000 MEGOHMS MIN.

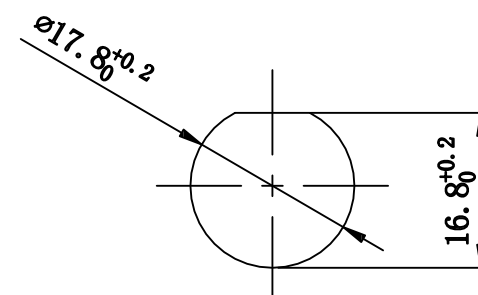
2.6 IP--CLASS: IP67 AND IP69K IN THE MATED CONDITION.

2.7 MATING CYCLES DURABILITY: 500 CYCLES MIN.

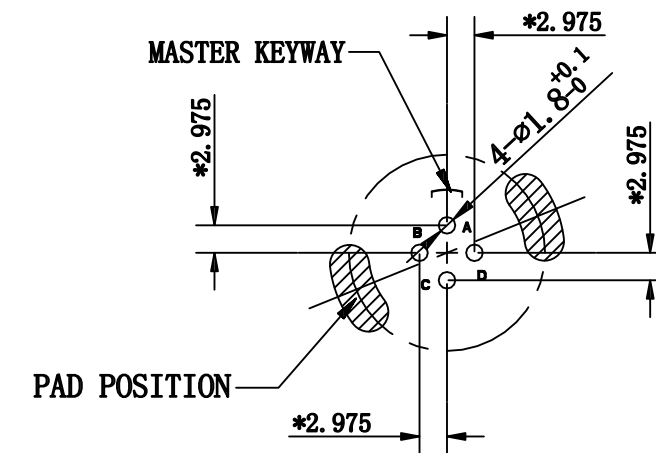
2.8 RoHS COMPLIANT.

3. SUITABLE CONTACTS: 16# CONTACT.

4. ALL DIMENSIONS ARE FOR REFERENCE USE ONLY.



RECOMMEND MOUNTING HOLE



RECOMMEND PCB LAYOUT

KEY	PART NUMBER
N	RTS710ND4S03
W	RTS710WD4S03
X	RTS710XD4S03
Y	RTS710YD4S03
Z	RTS710ZD4S03

QUANTITY	PART NUMBER	DESCRIPTION	ITEM
MATERIALS LIST			
<p>UNLESS OTHERWISE SPECIFIED</p> <p>1) All dimensions are in metric(mm).</p> <p>2) Tolerances are as follows:</p> <p>1 PL DEC ± 0.30</p> <p>2 PL DEC ± 0.15</p> <p>3 PL DEC ± 0.08</p> <p>3) Note reference = $\triangle X$</p>		<p>SIGNATURES</p> <p>DRAWN: Zaki</p> <p>CHECKED: Martin</p> <p>ENGINEER:</p> <p>APPROVAL: Tommy</p>	<p>DATE</p> <p>Jul-30-2019</p> <p>Jul-30-2019</p> <p>Jul-30-2019</p>
<p>MATERIAL SPECIFICATIONS:</p> <p>PROCESS SPECIFICATIONS:</p> <p>NEXT ASSY:</p>		<p>CUSTOMER:</p> <p>THIS DRAWING IS SUPPLIED FOR INFORMATION ONLY. DESIGN FEATURES, SPECIFICATIONS AND PERFORMANCE DATA SHOWN HEREON ARE THE PROPERTY OF THE AMPHENOL CORPORATION. NO RIGHTS OF REPRODUCTION ARE IMPLIED. ALL DIMENSIONS ARE SUBJECT TO NORMAL MANUFACTURING VARIATIONS.</p>	<p>Amphenol</p> <p>Sine Systems - www.amphenol-sine.com</p> <p>44724 Morley Drive</p> <p>Clinton Township, MI 48036</p>
<p>SIZE: B</p> <p>TYPE: C-</p> <p>SCALE: NONE</p>		<p>DWG NO: RTS710*D4S03</p> <p>REVISION: A1</p>	<p>ECOMATE® AQUARIUS™, RECEPTACLE, JAM NUT, SIZE 10, 4POS, SOCKET</p> <p>SHEET 1 OF 1</p>

TITLE: ECOMATE RECEPTACLE, JAM NUT, SIZE 10, 4POS, SOCKET. DWG NO: RTS710ND4S03. REV: A1. SER: 1. QP: 1.