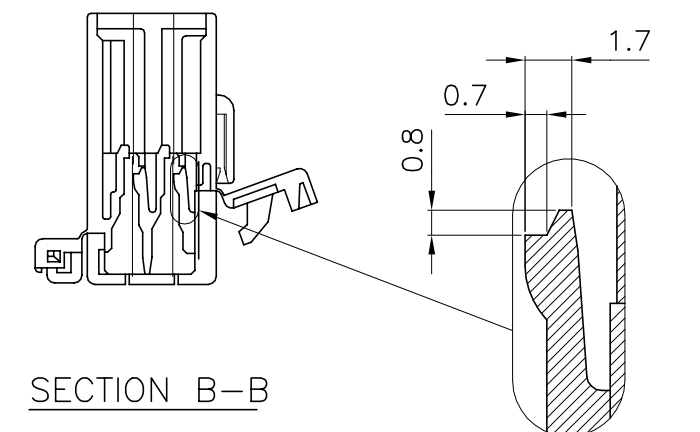
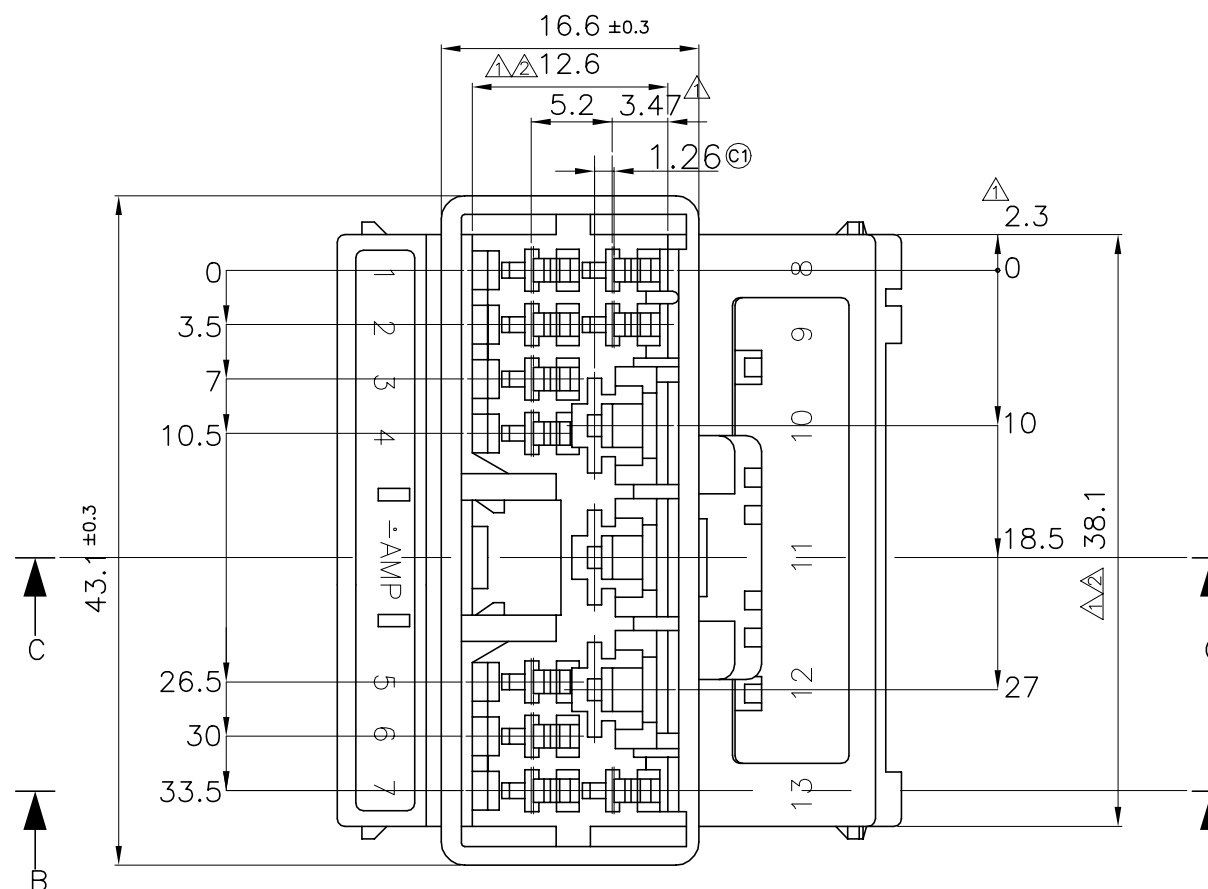
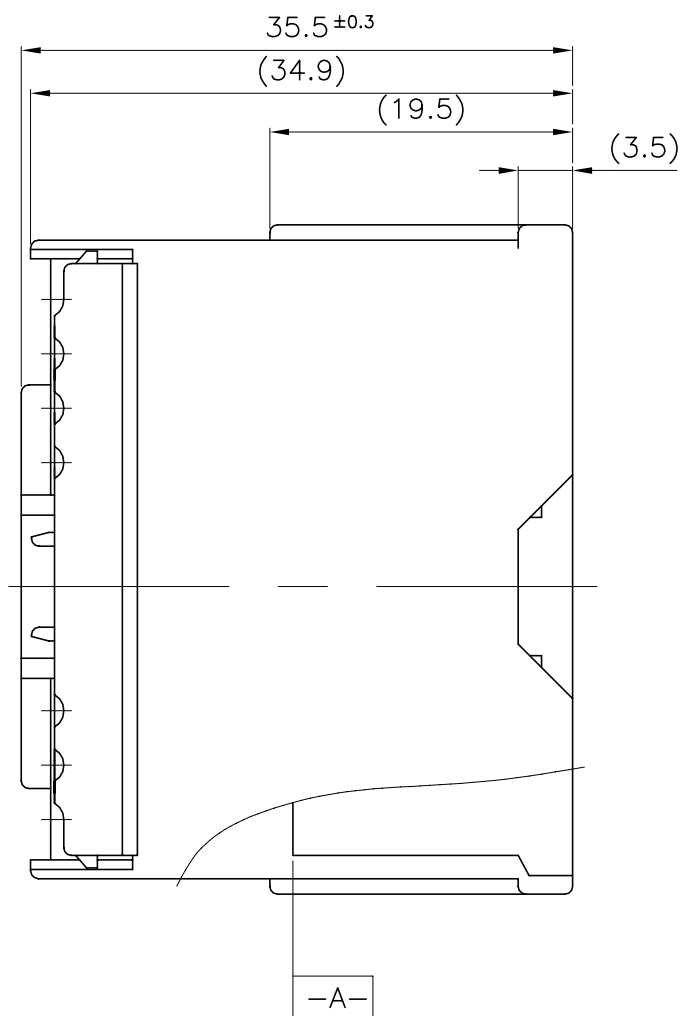


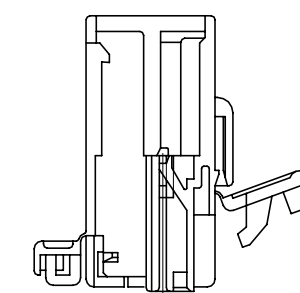
REVISIONS

P	LTR	DESCRIPTION	DATE	DWN	APVD
	C3	REVISED ECR-22-131601	09MAR2022	AAN	SPB

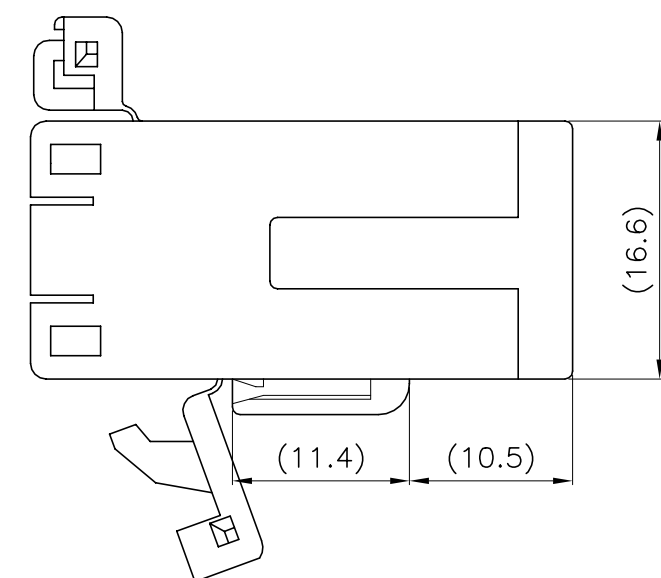


SECTION B-B

LANCE DETAIL



SECTION C-C



NOTE

- ① MUST BE KEPT BETWEEN \square -A- AND 2.
- ② TO BE MATED WITH REC HSG SMOOTHLY
- 3. APPLIED TAB CONTACT PART NUMBERS
 . 070 SERIES : 173633, 173645
 . 250 SERIES : 170340, 170341, 170349
- 4. APPLIED PLUG HSG P/N; 85111
- ③ ⑤ THESE ARE FOR LOCAL CUSTOMER WITH POLY BAG/MID BOX/OUT BOX.
- ④ ⑥ THIS IS FOR EXPORT WITH TRAY/OUT BOX.

OBS
OBS

P/N	MATERIAL	COLOR	PACKING
1-85112-2	P.B.T	BLACK	⑥
85112-5	P.B.T	BLUE	⑤
85112-4	P.B.T	GREEN	④
85112-2	P.B.T	BLACK	③
85112-1	P.B.T	WHITE	②

TOLERANCES UNLESS OTHERWISE SPECIFIED:
 0<XX<10 ±0.2
 10<XX<30 ±0.25
 30<XX ±0.3
 ANGLES ±3°

THIS DRAWING IS A CONTROLLED DOCUMENT.		DWN	YD. LEE	-
DIMENSIONS: mm		CHK	BM JANG	-
TOLERANCES UNLESS OTHERWISE SPECIFIED: 0 PLC ± - 1 PLC ± - 2 PLC ± - 3 PLC ± - 4 PLC ± - ANGLES ± 3°		APVD	CS LEE	-
MATERIAL SEE TABLE		PRODUCT SPEC	-	-
		APPLICATION SPEC	-	-
		WEIGHT	0	-
		FINISH	-	-
		TE Connectivity Ltd. NAME .070/.250 HYBRID 13P CAP HSG		
		SIZE	A3	RESTRICTED TO
		CAGE CODE	00779	-
		DRAWING NO	C-85112	-
		SCALE	1:1	REV C3
		SHEET	1 OF 1	-
		CUSTOMER DRAWING		