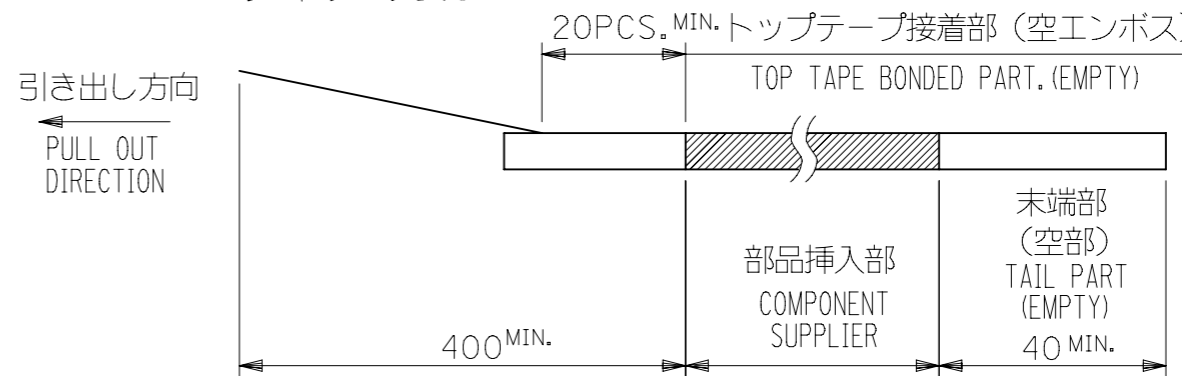
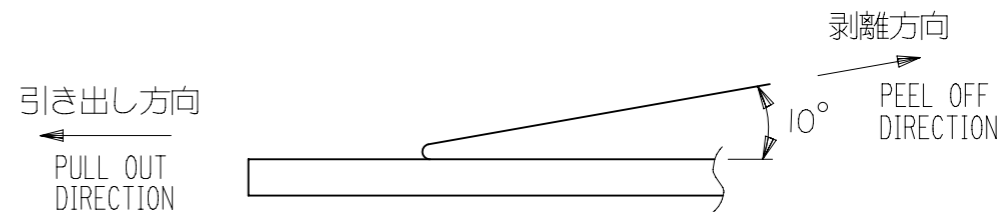


NOTES

- 梱包数量：1000個/リール  
NUMBER OF CONNECTORS : 1000PCS/REEL
- リードテープ長さ LEAD TAPE LENGTH



- トップテープの剥離強度：0.1～1.3N {10gf～130gf} (剥離方向は下図参照)  
尚、本規格値は出荷時に適用。(但し、輸送時に剥離が発生しないこと。)  
PEELING OFF FORCE OF TOP TAPE : 0.1～1.3N {10gf～130gf}  
(PEELING DIRECTION AS SHOWN IN FOLLOWING FIG.)  
THIS REQUIREMENT SHOULD BE APPLIED AT SHIPMENT.  
PEEL OFF SHOULD NOT BE ALLOWED , DURING TRANSPORTATION.

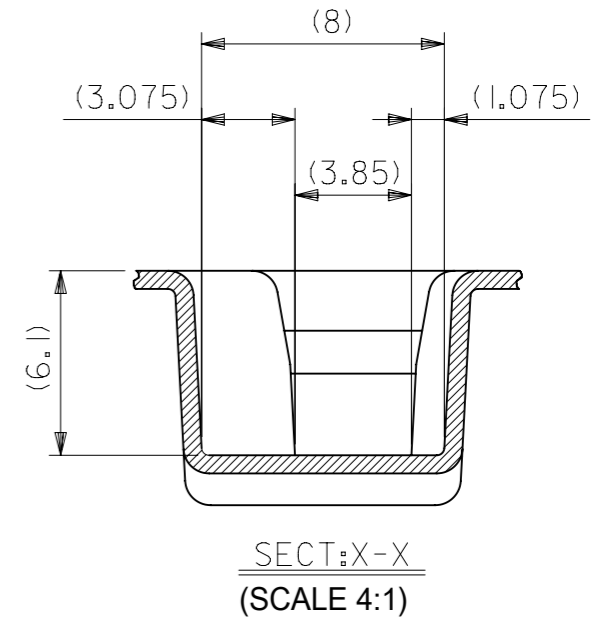
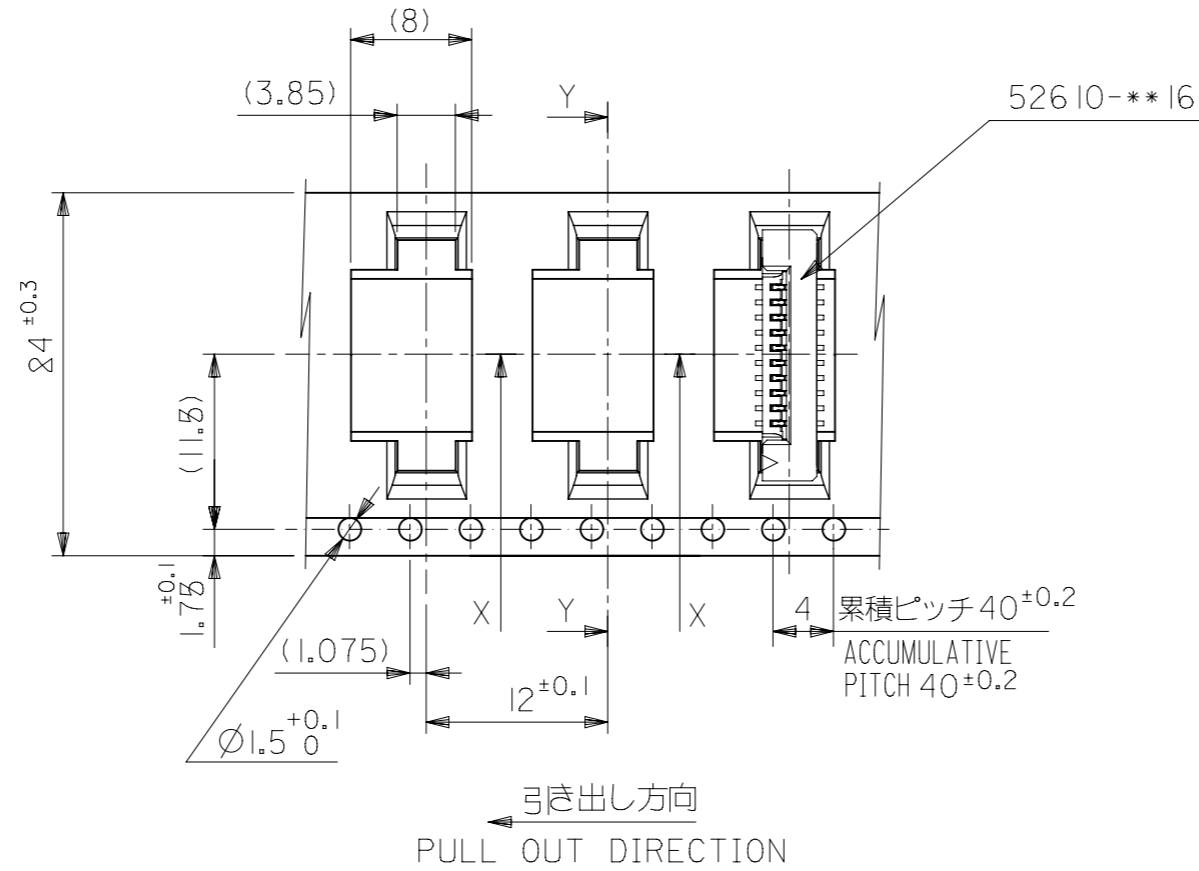
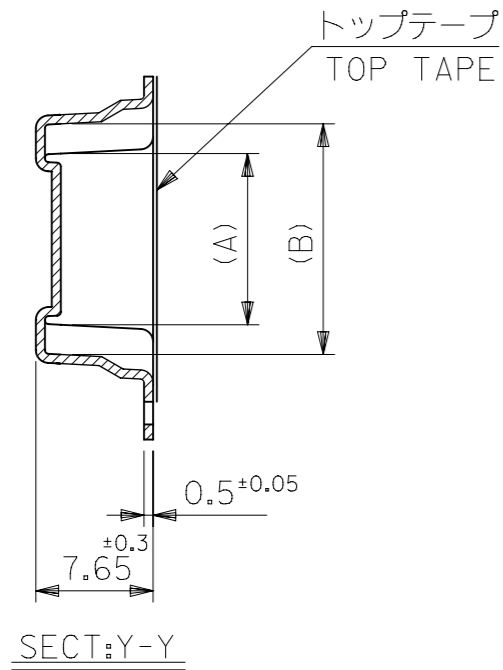


- 52610-\*\*-16のアクチュエータはハウジング内に押し下げた状態とする。  
詳細寸法については 製品単体図面 を参照下さい。  
ACTUATOR OF PART NO. 52610-\*\*-16 SHOULD BE LOCKED.  
RE DETAILED DIMENSIONS , SEE SALES DRAWING FOR CONNECTOR.
- 材料(MATERIAL)  
キャリアテープ(CARRIER TAPE) : ポリプロピレン(POLYPROPYLENE)  
トップテープ(TOPTAPE) : PET , PE , PEF  
リール(REEL) : ポリスチレン (PS) <リサイクル材を含む>  
POLYSTYREN(PS) <RECYCLE MATERIAL CONTAINED>
- 本製品は 52610-\*\*-90 の鉛フリー品です
- 本製品は乾燥剤入り、ハイバリア梱包仕様である。  
THIS PRODUCT IS HIGH BARRIER PACKAGE WITH DESICCANT.

52610-\*\*71 MODEL NO.

THIS DRAWING CONTAINS INFORMATION THAT IS PROPRIETARY TO MOLEX ELECTRONIC TECHNOLOGIES, LLC AND SHOULD NOT BE USED WITHOUT WRITTEN PERMISSION		CURRENT REV DESC:		<b>molex</b>	
DIMENSION UNITS	SCALE				
mm	NTS			1.0 FPC CONN SMT ZIF EMBSTP PKG -LEAD FREE-	
GENERAL TOLERANCES (UNLESS SPECIFIED)		GENERAL TOLERANCES (UNLESS SPECIFIED)		PRODUCT CUSTOMER DRAWING	
ANGULAR TOL ±		ANGULAR TOL ±		DOCUMENT NUMBER	
4 PLACES ±		4 PLACES ±		SD-52610-038	
3 PLACES ±		3 PLACES ±		DOC TYPE	
2 PLACES ±		2 PLACES ±		PSD	
1 PLACE ±		1 PLACE ±		DOC PART	
0 PLACES ±		0 PLACES ±		001	
DRAFT WHERE APPLICABLE MUST REMAIN WITHIN DIMENSIONS		THIRD ANGLE PROJECTION		REVISION	
		DRAWING		D	
		SERIES		SHEET NUMBER	
		A3-SIZE		1 OF 5	
		52610		MATERIAL NUMBER	
				SEE TABLE	
				CUSTOMER	
				GENERAL MARKET	

GENERAL TOLERANCES (UNLESS SPECIFIED)	
10 <sup>UNDER</sup>	±0.2
10 <sup>OVER</sup> 30 <sup>UNDER</sup>	±0.25
30 <sup>OVER</sup>	±0.3
ANGULAR	±3°

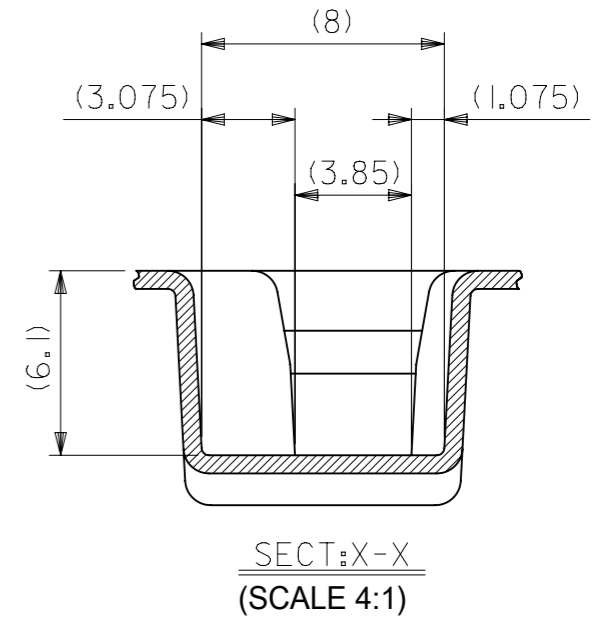
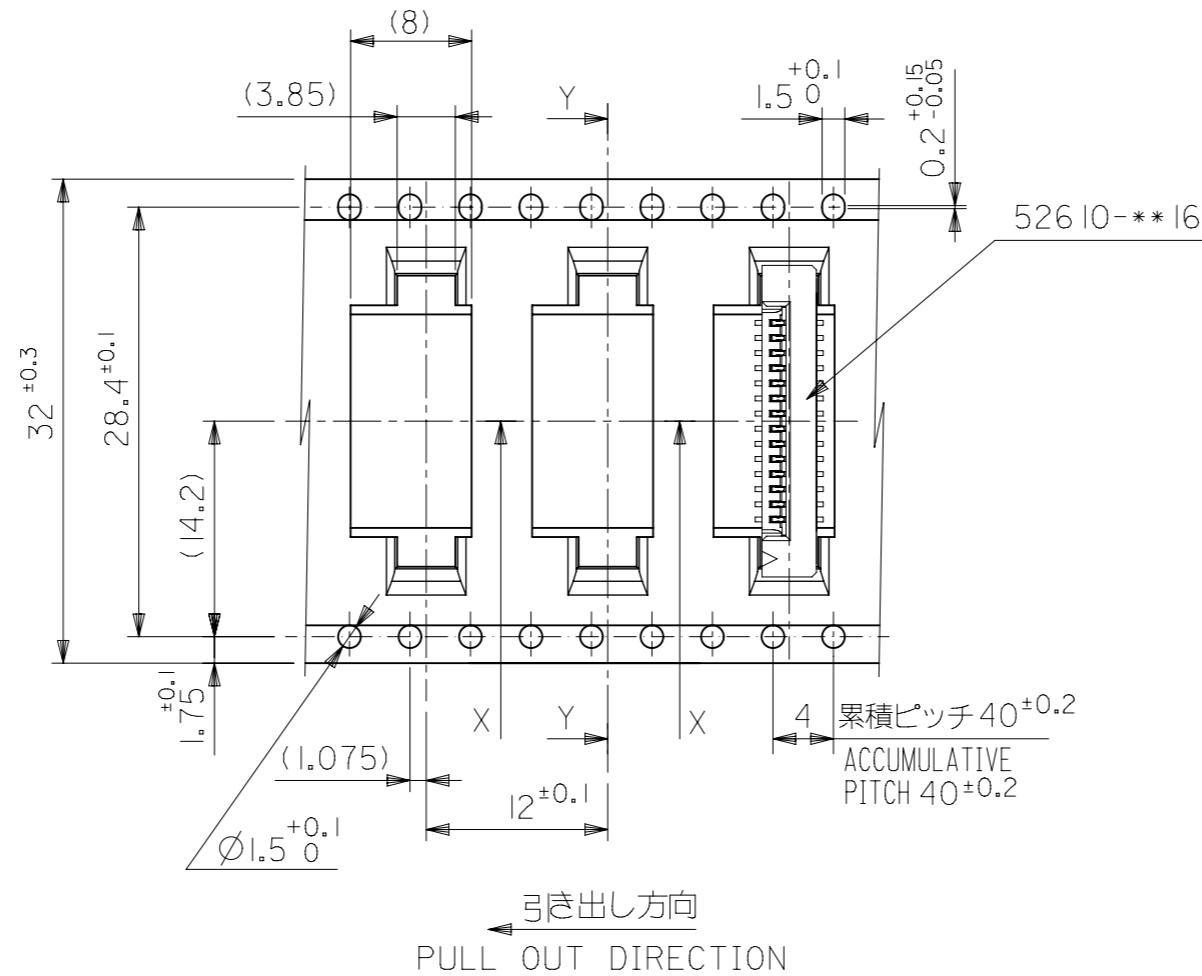
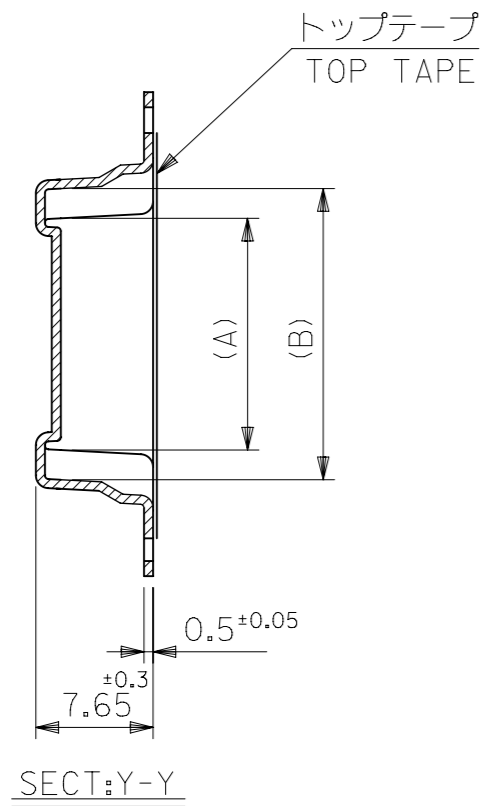


24	29.4	25.4	15.25	11.32	52610-1071	10
			14.25	10.32	52610-0971	9
			13.25	9.32	52610-0871	8
			12.25	8.32	52610-0771	7
			11.25	7.32	52610-0671	6
			10.25	6.32	52610-0571	5
キャリアテープ幅 CARRIER TAPE WIDTH	D	C	(B)	(A)	MATERIAL NO.	極数 CKT.

52610-\*\*-71 MODEL NO.

THIS DRAWING CONTAINS INFORMATION THAT IS PROPRIETARY TO MOLEX ELECTRONIC TECHNOLOGIES, LLC AND SHOULD NOT BE USED WITHOUT WRITTEN PERMISSION											
DIMENSION UNITS		SCALE		CURRENT REV DESC:							
mm		NTS		<b>molex</b> 1.0 FPC CONN SMT ZIF EMBSTP PKG -LEAD FREE- PRODUCT CUSTOMER DRAWING							
GENERAL TOLERANCES (UNLESS SPECIFIED)											
ANGULAR TOL ±											
4 PLACES ±											
3 PLACES ±											
2 PLACES ±				EC NO: 719890				2022/09/01			
1 PLACE ±				DRWN: DGONDO				2022/09/05			
0 PLACES ±				CHK'D: SMARUYAMA				2022/09/05			
DRAFT WHERE APPLICABLE MUST REMAIN WITHIN DIMENSIONS				APP: YNAITO				2022/09/05			
INITIAL REVISION:				DRWN: NAIDA				2005/08/08			
APP: NUKITA				2005/08/22				SERIES			
THIRD ANGLE PROJECTION				DRAWING				MATERIAL NUMBER			
A3-SIZE				52610				CUSTOMER			
SEE TABLE				GENERAL MARKET				SHEET NUMBER			
2 OF 5											

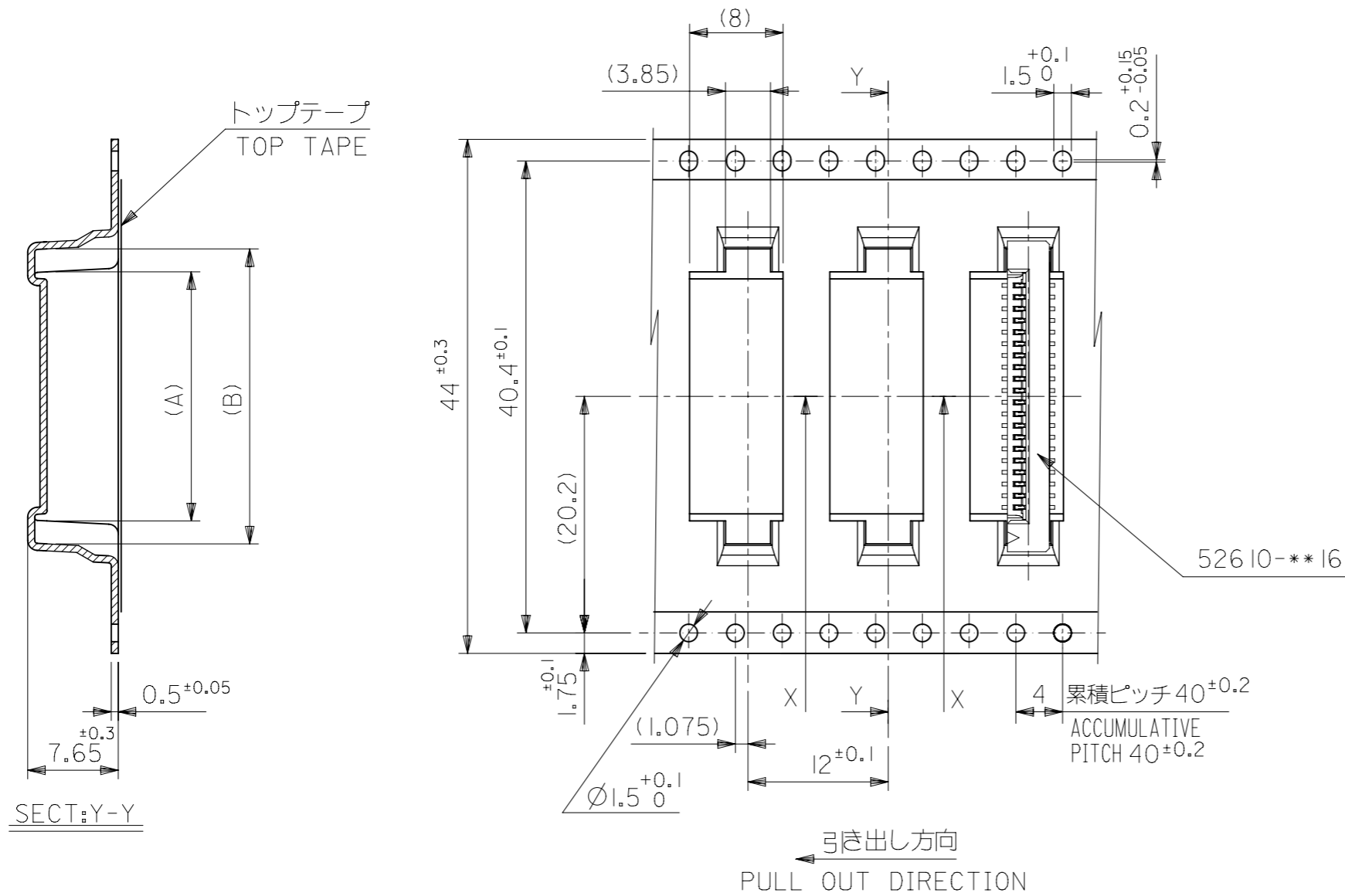
GENERAL TOLERANCES (UNLESS SPECIFIED)	
10 <sup>UNDER</sup>	±0.2
10 <sup>OVER</sup> 30 <sup>UNDER</sup>	±0.25
30 <sup>OVER</sup>	±0.3
ANGULAR	±3°



32	37.4	33.4	20.25	16.32	52610-1571	15
			19.25	15.32	52610-1471	14
			18.25	14.32	52610-1371	13
			17.25	13.32	52610-1271	12
			16.25	12.32	52610-1171	11
キャリアテープ幅 CARRIER TAPE WIDTH	D	C	(B)	(A)	MATERIAL NO.	極数 CKT.

52610-\*\*71 MODEL NO.

THIS DRAWING CONTAINS INFORMATION THAT IS PROPRIETARY TO MOLEX ELECTRONIC TECHNOLOGIES, LLC AND SHOULD NOT BE USED WITHOUT WRITTEN PERMISSION									
DIMENSION UNITS		SCALE		CURRENT REV DESC:					
mm		NTS		<b>molex</b> 1.0 FPC CONN SMT ZIF EMBSTP PKG -LEAD FREE- PRODUCT CUSTOMER DRAWING DOCUMENT NUMBER: SD-52610-038 DOC TYPE: PSD DOC PART: 001 REVISION: D MATERIAL NUMBER: SEE TABLE CUSTOMER: GENERAL MARKET SHEET NUMBER: 3 OF 5					
GENERAL TOLERANCES (UNLESS SPECIFIED)									
ANGULAR TOL ±									
4 PLACES ±									
3 PLACES ±									
2 PLACES ±									
1 PLACE ±									
0 PLACES ±									
DRAFT WHERE APPLICABLE MUST REMAIN WITHIN DIMENSIONS				THIRD ANGLE PROJECTION		DRAWING		SERIES	
GENERAL TOLERANCES (UNLESS SPECIFIED)		ANGULAR		EC NO: 719890		2022/09/01		2022/09/05	
10 <sup>UNDER</sup>		±0.2		DRWN: DGONDO		2022/09/05		2022/09/05	
10 <sup>OVER</sup> 30 <sup>UNDER</sup>		±0.25		CHK'D: SMARUYAMA		2022/09/05		2022/09/05	
30 <sup>OVER</sup>		±0.3		APPR: YNAITO		2022/09/05		2022/09/05	
ANGULAR		±3°		INITIAL REVISION:		2005/08/08		2005/08/22	
				DRWN: NAIDA		2005/08/08		2005/08/22	
				APPR: NUKITA		2005/08/22		2005/08/22	

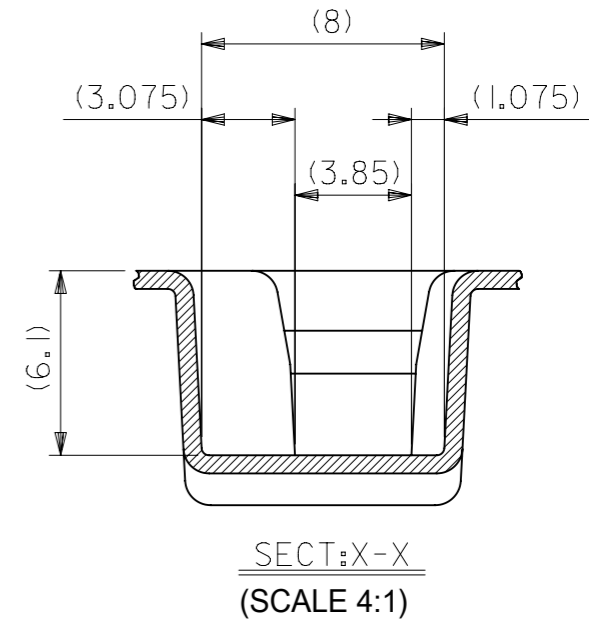
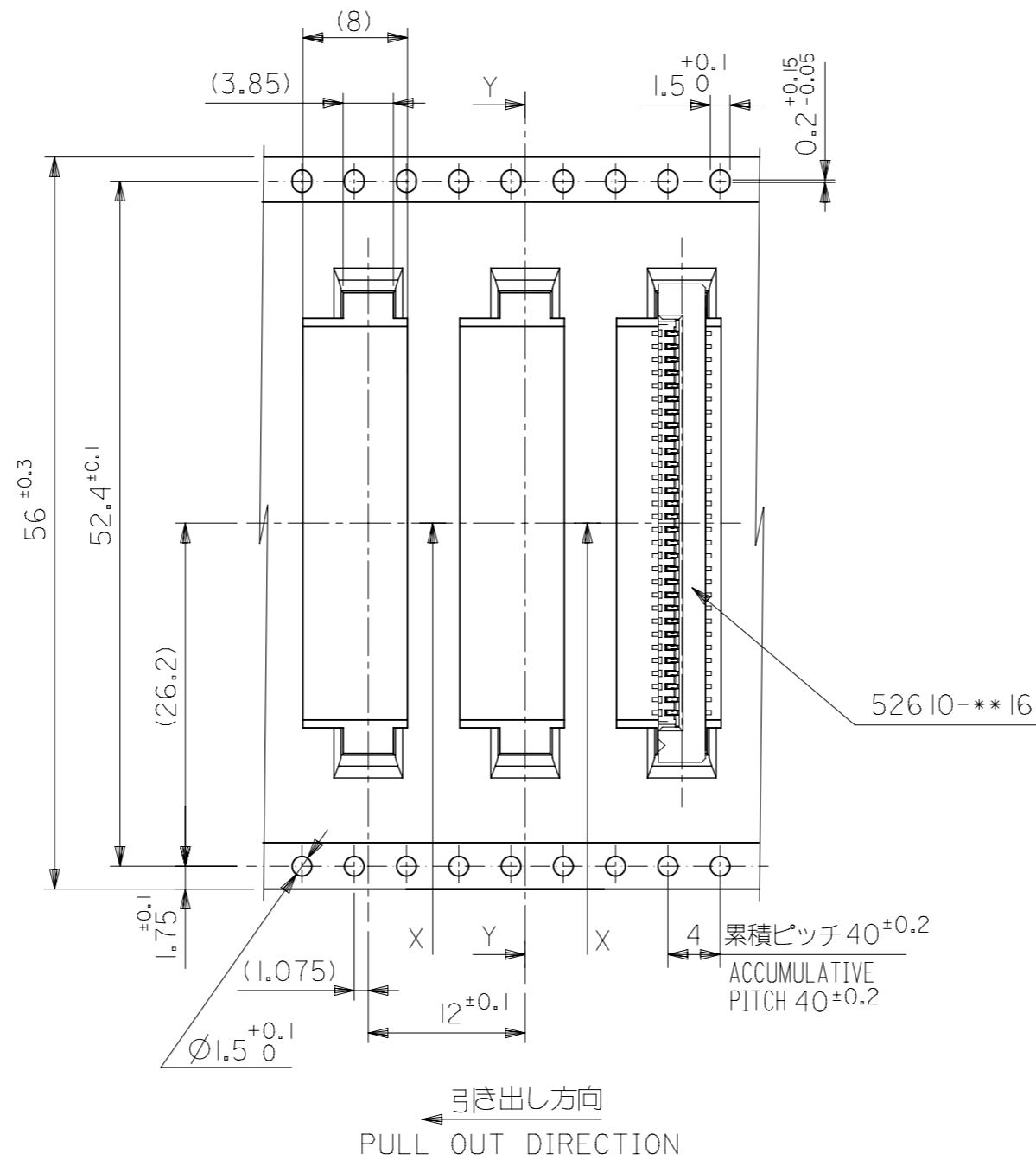
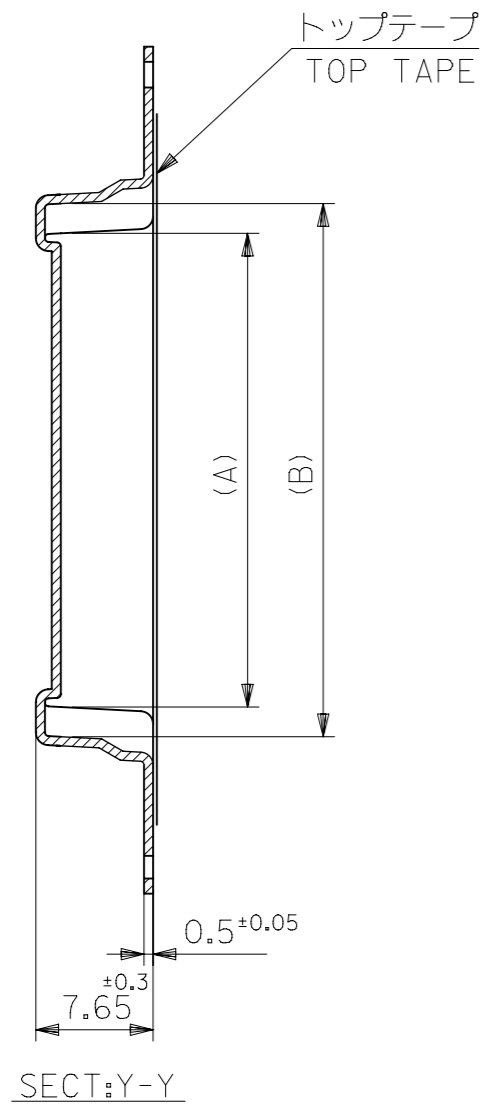


44	49.4	45.4	31.25	27.32	52610-2671	26
			30.25	26.32	52610-2571	25
			29.25	25.32	52610-2471	24
			28.25	24.32	52610-2371	23
			27.25	23.32	52610-2271	22
			26.25	22.32	52610-2171	21
			25.25	21.32	52610-2071	20
			24.25	20.32	52610-1971	19
			23.25	19.32	52610-1871	18
			22.25	18.32	52610-1771	17
			21.25	17.32	52610-1671	16
キャリアテープ幅 CARRIER TAPE WIDTH	D	C	(B)	(A)	MATERIAL NO.	極数 CKT.

52610-\*\*71 MODEL NO.

THIS DRAWING CONTAINS INFORMATION THAT IS PROPRIETARY TO MOLEX ELECTRONIC TECHNOLOGIES, LLC AND SHOULD NOT BE USED WITHOUT WRITTEN PERMISSION											
DIMENSION UNITS		SCALE		CURRENT REV DESC:							
mm		NTS									
GENERAL TOLERANCES (UNLESS SPECIFIED)				GENERAL TOLERANCES (UNLESS SPECIFIED)							
ANGULAR TOL ±				ANGULAR TOL ±							
4 PLACES ±				4 PLACES ±							
3 PLACES ±				3 PLACES ±							
2 PLACES ±				2 PLACES ±							
1 PLACE ±				1 PLACE ±							
0 PLACES ±				0 PLACES ±							
DRAFT WHERE APPLICABLE MUST REMAIN WITHIN DIMENSIONS				DRAFT WHERE APPLICABLE MUST REMAIN WITHIN DIMENSIONS							
THIRD ANGLE PROJECTION				THIRD ANGLE PROJECTION							
DRAWING				DRAWING							
SERIES				SERIES							
MATERIAL NUMBER				MATERIAL NUMBER							
CUSTOMER				CUSTOMER							
SHEET NUMBER				SHEET NUMBER							
EC NO: 719890		DRWN: DGONDO		2022/09/01		2022/09/05		2022/09/05		2022/09/05	
CHK'D: SMARUYAMA		APPR: YNAITO		INITIAL REVISION:		DRWN: NAIDA		2005/08/08		2005/08/22	
APPR: NUKITA		2005/08/22		DOCUMENT NUMBER		DOC TYPE		DOC PART		REVISION	
A3-SIZE		52610		SD-52610-038		PSD		001		D	
SEE TABLE		GENERAL MARKET		4 OF 5							

GENERAL TOLERANCES (UNLESS SPECIFIED)	
10 <sup>UNDER</sup>	±0.2
10 <sup>OVER</sup> 30 <sup>UNDER</sup>	±0.25
30 <sup>OVER</sup>	±0.3
ANGULAR	±3°

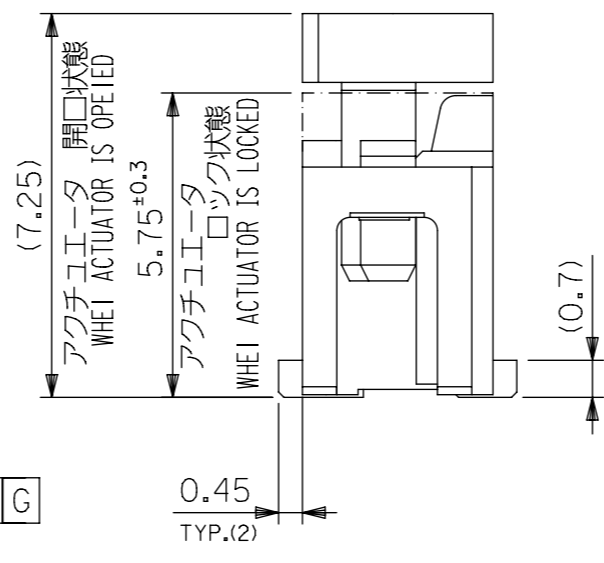
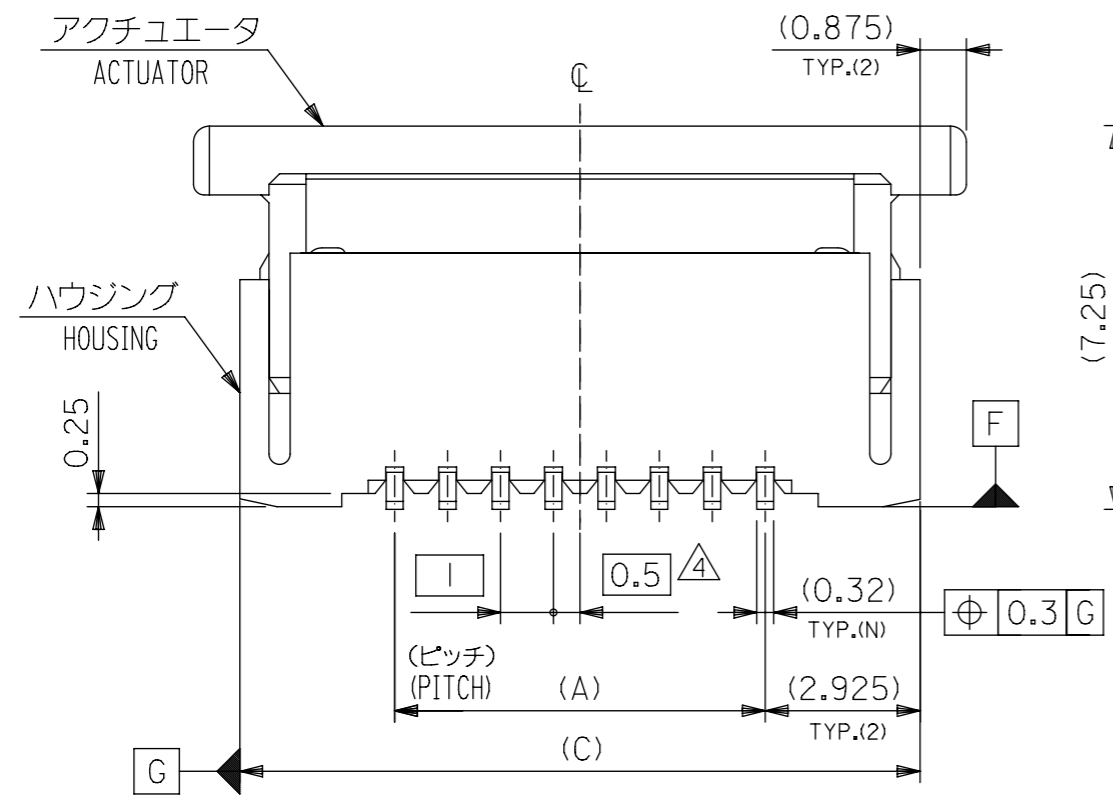
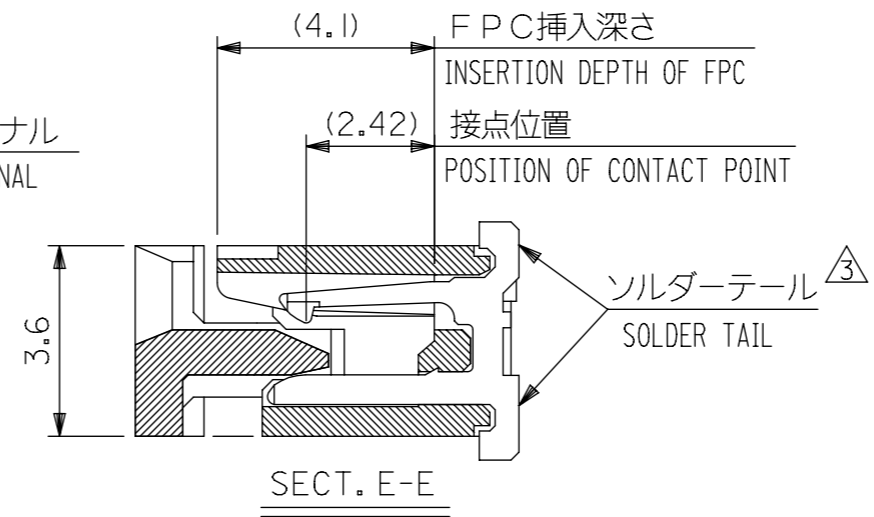
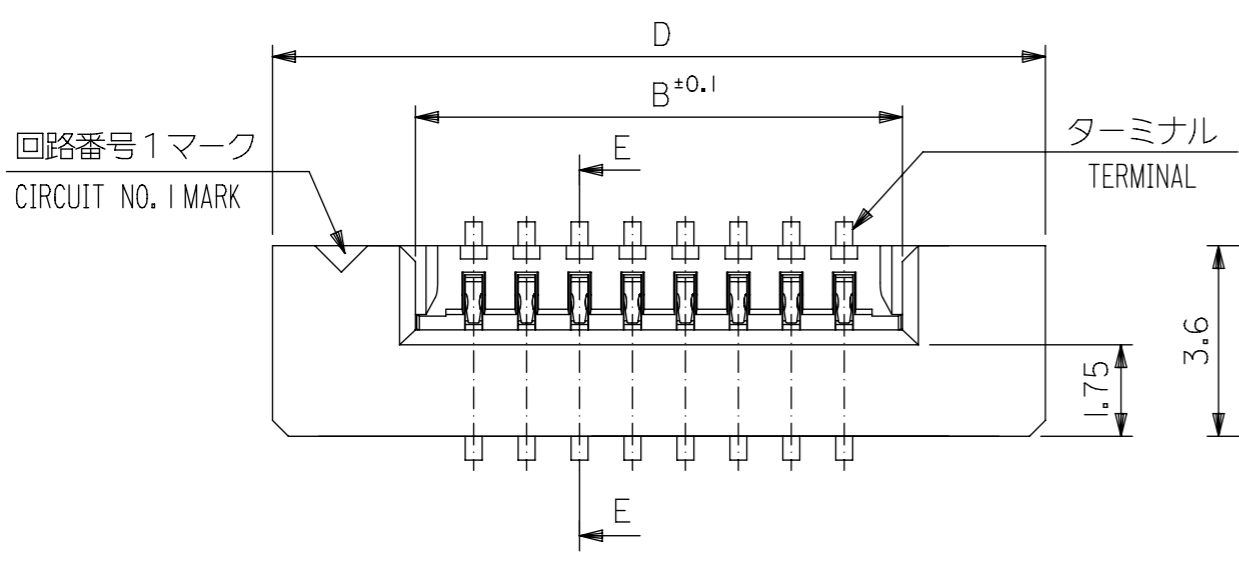


56	61.4	57.4	35.25	31.32	52610-3071	30
			33.25	29.32	52610-2871	28
キャリアテープ幅 CARRIER TAPE WIDTH	D	C	(B)	(A)	MATERIAL NO.	極数 CKT.

52610-\*\*71 MODEL NO.

THIS DRAWING CONTAINS INFORMATION THAT IS PROPRIETARY TO MOLEX ELECTRONIC TECHNOLOGIES, LLC AND SHOULD NOT BE USED WITHOUT WRITTEN PERMISSION									
DIMENSION UNITS		SCALE		CURRENT REV DESC:					
mm		NTS		<b>molex</b> 1.0 FPC CONN SMT ZIF EMBSTP PKG -LEAD FREE- PRODUCT CUSTOMER DRAWING					
GENERAL TOLERANCES (UNLESS SPECIFIED)									
ANGULAR TOL ±									
4 PLACES ±									
3 PLACES ±									
2 PLACES ±				EC NO: 719890		2022/09/01		DOCUMENT NUMBER	
1 PLACE ±				DRWN: DGONDO		2022/09/05		DOC TYPE	
0 PLACES ±				CHK'D: SMARUYAMA		2022/09/05		DOC PART	
DRAFT WHERE APPLICABLE MUST REMAIN WITHIN DIMENSIONS				APPR: YNAITO		2022/09/05		REVISION	
THIRD ANGLE PROJECTION				INITIAL REVISION:		2005/08/08		SD-52610-038	
DRAWING				DRWN: NAIDA		2005/08/22		PSD 001 D	
SERIES				APPR: NUKITA		2005/08/22		SHEET NUMBER	
A3-SIZE				MATERIAL NUMBER		CUSTOMER		5 OF 5	
52610				SEE TABLE		GENERAL MARKET			

GENERAL TOLERANCES (UNLESS SPECIFIED)	
10 <sup>UNDER</sup>	±0.2
10 <sup>OVER</sup> 30 <sup>UNDER</sup>	±0.25
30 <sup>OVER</sup>	±0.3
ANGULAR	±3°

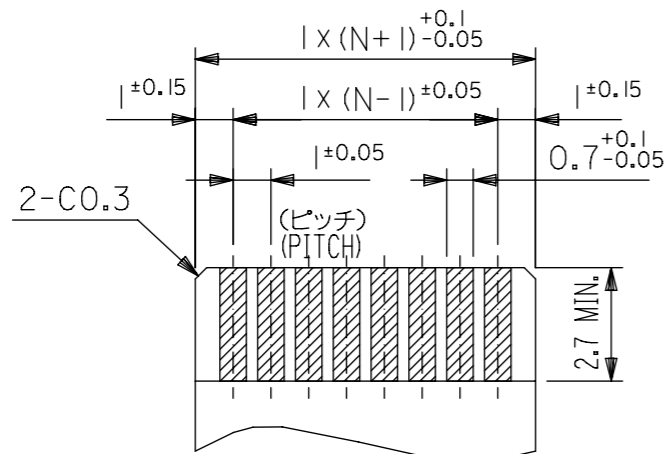


注記 (NOTES):

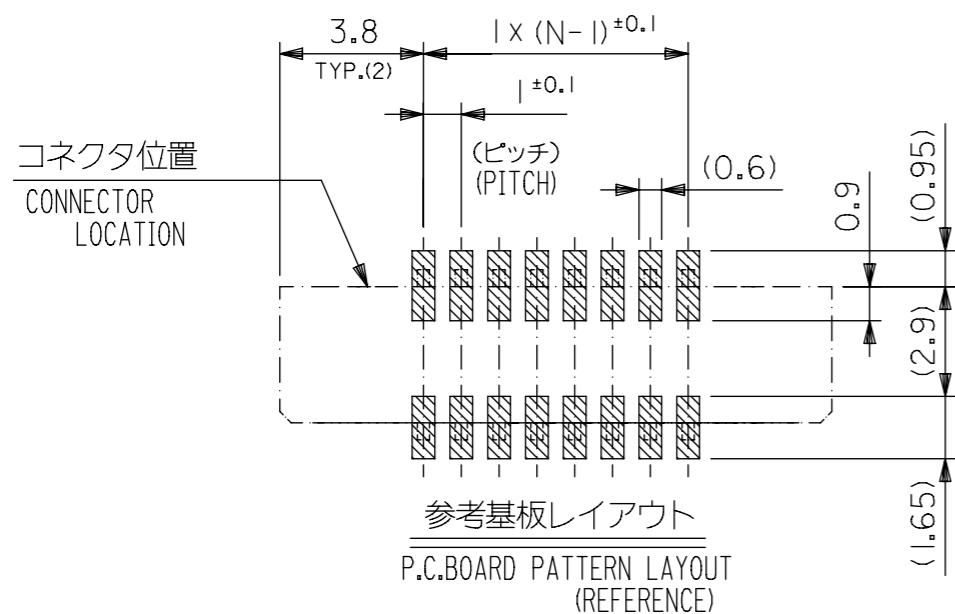
- 材料 (MATERIAL)  
 ハウジング (HOUSING): 46NYLON, UL94V-0  
 アクチュエータ (ACTUATOR): PPS, UL94V-0  
 ターミナル (TERMINAL): リン青銅 (+0.32)  
 PHOS-BRO  
 錫 (3%±1%) ビスマスメッキ 1.0マイクロメートル以上  
 TIN (3%±1%) BISMUTH 1.0 MICROMETER MINIMUM  
 ニッケル下地 1.0マイクロメートル以上  
 NICKEL (UNDER PLATING) 1.0 MICROMETER MINIMUM
- エンボステープ梱包時は、アクチュエータがロックした状態とする。  
 IN THE PACKAGE, ACTUATOR OF PART NO. 52610-\*\*16 SHOULD BE LOCKED.
- ソルダーテール半田付け面のズレ量は、基準面 [F] に対し上方向 0.05 MAX., 下方向 0.15 MAX. とする。  
 MISALIGNMENT OF SOLDER TAILS FROM [F] UPPER DIRECTION : 0.05 MAX., LOWER DIRECTION : 0.15 MAX.
- 偶数極に適用。  
 APPLY FOR EVEN CIRCUIT.
- 本製品は 52610-\*\*17 の鉛フリー品です

GENERAL TOLERANCES (UNLESS SPECIFIED)	
10 <sup>UNDER</sup>	±0.2
10 <sup>OVER</sup> 30 <sup>UNDER</sup>	±0.25
30 <sup>OVER</sup>	±0.3
ANGULAR	±3°

THIS DRAWING CONTAINS INFORMATION THAT IS PROPRIETARY TO MOLEX ELECTRONIC TECHNOLOGIES, LLC AND SHOULD NOT BE USED WITHOUT WRITTEN PERMISSION		CURRENT REV DESC:		<b>molex</b>	
DIMENSION UNITS	SCALE				
mm	NTS			1.0 FPC CONNECTOR Z.I.F. FOR SMT.(ST.) -LEAD FREE-	
GENERAL TOLERANCES (UNLESS SPECIFIED)		EC NO: 745355		PRODUCT CUSTOMER DRAWING	
ANGULAR TOL	± °	DRWN: RAJMOK	2023/04/06	DOCUMENT NUMBER	
4 PLACES	±	CHK'D: HSHIMOYAMA	2023/04/07	SD-52610-041	
3 PLACES	±	APPR: HSHIMOYAMA	2023/04/07	DOC TYPE	DOC PART
2 PLACES	±	INITIAL REVISION:		PSD	001
1 PLACE	±	DRWN: MNAIBEI	2006/04/17	REVISION	
0 PLACES	±	APPR: NUKITA	2006/04/20	H	
DRAFT WHERE APPLICABLE MUST REMAIN WITHIN DIMENSIONS		THIRD ANGLE PROJECTION	DRAWING	SERIES	MATERIAL NUMBER
			A3-SIZE	52610	SEE SHEET-2
				CUSTOMER	SHEET NUMBER
				GENERAL MARKET	1 OF 2



適合FPC推奨寸法  
 APPLICABLE FPC RECOMMENDED DIM.  
 仕上がり厚さ(THICKNESS): 0.3 ±0.05



FPCについて:  
 打抜き方向は導体側から補強板側を推奨致します。  
 補強フィルム材質はポリイミドを推奨致します。  
 接着剤は熱硬化接着剤を推奨致します。

ABOUT FPC:  
 RECOMMENDED PUNCHER DIRECTION : FROM CONDUCTOR SIDE TO STIFFENER BOARD SIDE.  
 RECOMMENDED MATERIAL :  
 STIFFENER FILM : POLYIMIDE  
 BONDING AGENT : THRMOSSETTING BONDING AGENT

36.6	34.85	31.2	29	52610-3071	30
34.6	32.85	29.2	27	-2871	28
32.6	30.85	27.2	25	-2671	26
31.6	29.85	26.2	24	-2571	25
30.6	28.85	25.2	23	-2471	24
29.6	27.85	24.2	22	-2371	23
28.6	26.85	23.2	21	-2271	22
27.6	25.85	22.2	20	-2171	21
26.6	24.85	21.2	19	-2071	20
25.6	23.85	20.2	18	-1971	19
24.6	22.85	19.2	17	-1871	18
23.6	21.85	18.2	16	-1771	17
22.6	20.85	17.2	15	-1671	16
21.6	19.85	16.2	14	-1571	15
20.6	18.85	15.2	13	-1471	14
19.6	17.85	14.2	12	-1371	13
18.6	16.85	13.2	11	-1271	12
17.6	15.85	12.2	10	-1171	11
16.6	14.85	11.2	9	-1071	10
15.6	13.85	10.2	8	-0971	9
14.6	12.85	9.2	7	-0871	8
13.6	11.85	8.2	6	-0771	7
12.6	10.85	7.2	5	-0671	6
11.6	9.85	6.2	4	52610-0571	5
D	(C)	B	(A)	MATERIAL NO.	CKT.

THIS DRAWING CONTAINS INFORMATION THAT IS PROPRIETARY TO MOLEX ELECTRONIC TECHNOLOGIES, LLC AND SHOULD NOT BE USED WITHOUT WRITTEN PERMISSION

DIMENSION UNITS	SCALE	CURRENT REV DESC:		<b>molex</b>		
mm	NTS					
GENERAL TOLERANCES (UNLESS SPECIFIED)		EC NO: 745355		1.0 FPC CONNECTOR		
ANGULAR TOL ± °		DRWN: RAJMOK		Z.I.F. FOR SMT.(ST.) -LEAD FREE-		
4 PLACES ±		2023/04/06		PRODUCT CUSTOMER DRAWING		
3 PLACES ±		CHK'D: HSHIMOYAMA		DOCUMENT NUMBER		
2 PLACES ±		2023/04/07		SD-52610-041		
1 PLACE ±		APPR: HSHIMOYAMA		DOC TYPE		
0 PLACES ±		INITIAL REVISION:		PSD		
DRAFT WHERE APPLICABLE MUST REMAIN WITHIN DIMENSIONS		DRWN: MNABEI		DOC PART		
THIRD ANGLE PROJECTION		2006/04/17		001		
DRAWING		2006/04/20		REVISION		
SERIES		APPR: NUKITA		H		
MATERIAL NUMBER		A3-SIZE		SHEET NUMBER		
CUSTOMER		52610		2 OF 2		
SEE TABLE		GENERAL MARKET				

GENERAL TOLERANCES (UNLESS SPECIFIED)	
10 <sup>UNDER</sup>	±0.2
10 <sup>OVER</sup> 30 <sup>UNDER</sup>	±0.25
30 <sup>OVER</sup>	±0.3
ANGULAR	±3 °