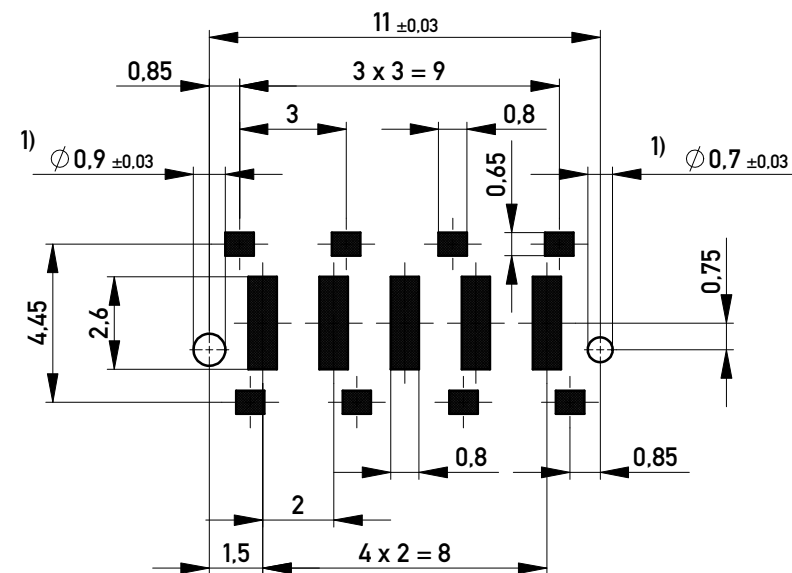
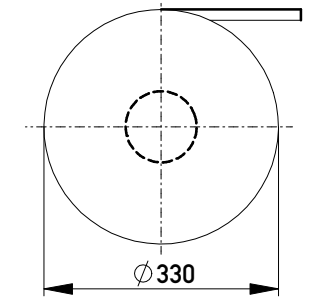


**Leiterplatten-Layout Vorschlag / PCB-layout proposal**

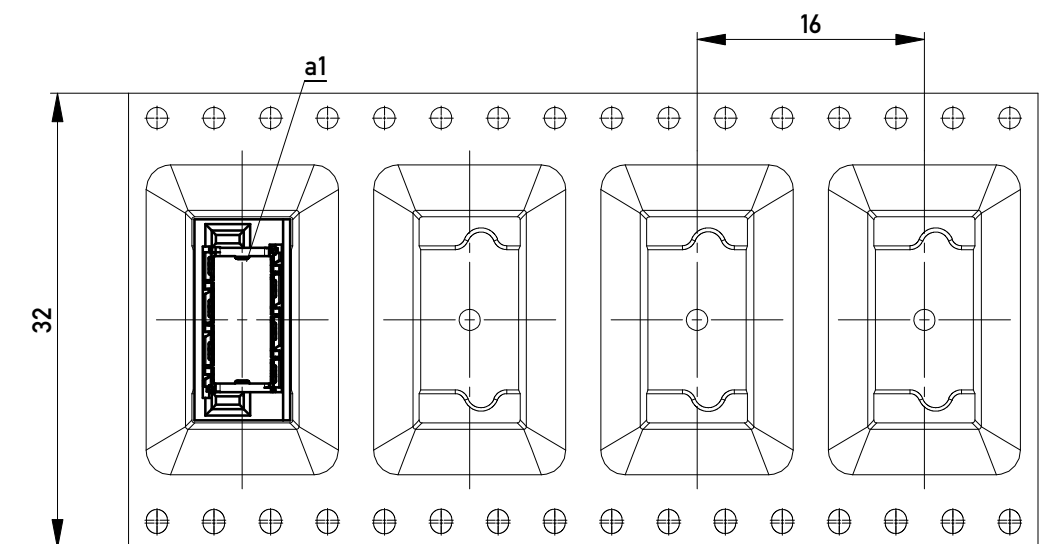


1) Durchmesser des Bohrers / drill tool

Verpackt in Gurtverpackung  
Tape on Reel Packaging  
Verpackungseinheit: 220 Stück  
Packaging unit: 220 pcs



Abspulrichtung - Reel off Direction



Anforderungsstufe 1  
Performance Level 1

Kontaktbereich vergoldet  
Mating Area gold plating

Anschlussbereich verzinnt 4-6µm  
Terminal Area 4-6µm tin plating

Koplanarität der Anschlüsse ≤ 0.1mm  
Coplanarity Area of Termination ≤ 0.1mm

Information:  All rights reserved. Only for Information. To ensure that this is the latest version of this drawing, please contact one of the ERNI companies before using.	Tolerances  All Dimensions in mm	Scale	5:1
		Designation	M10 MSpeed Blind Mate PM SMD
e Index	10.09.2012 Date	www.ERNI.com	354281
	Class		MSPEED

Copyright by ERNI GmbH  
Proprietary notice pursuant to ISO 16016 to be observed.